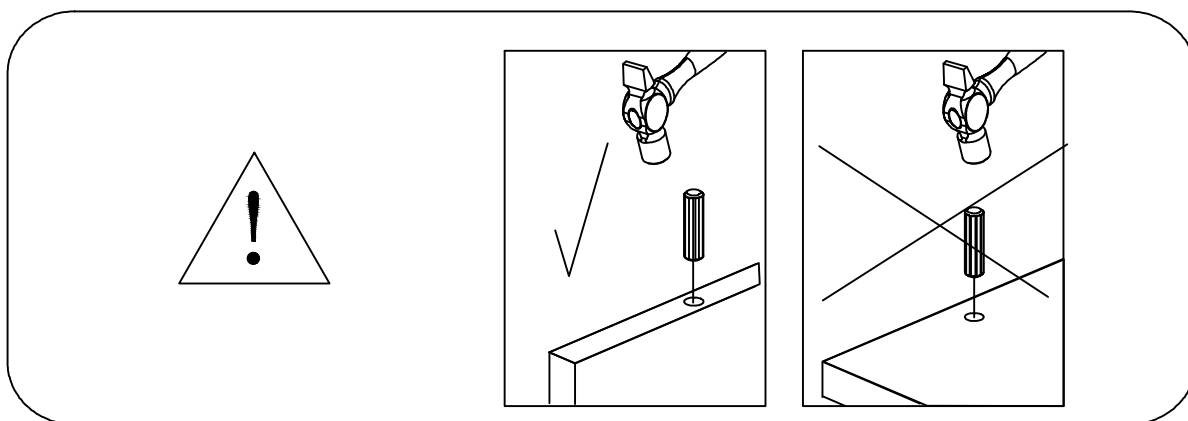
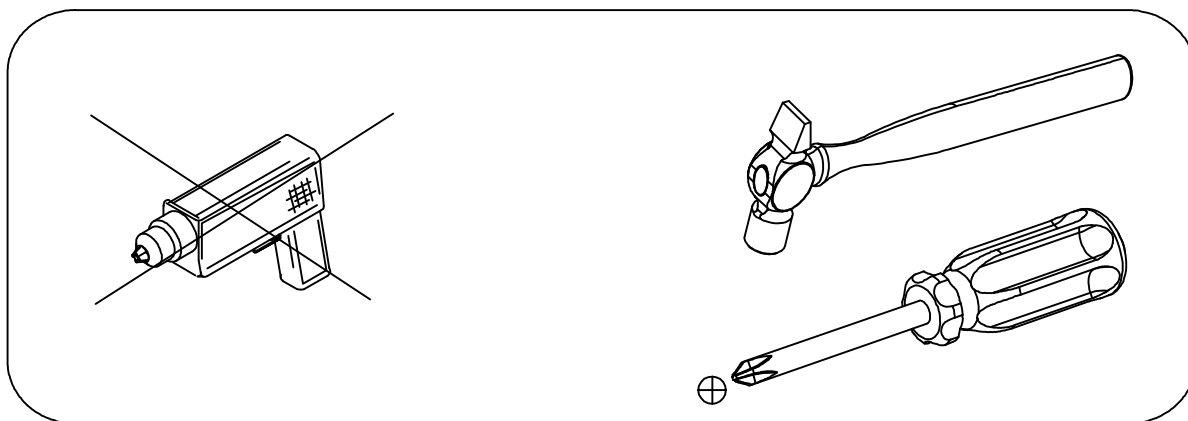
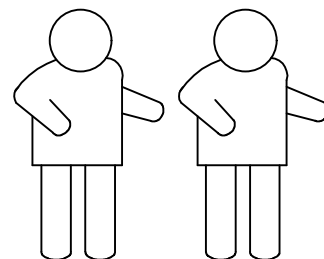
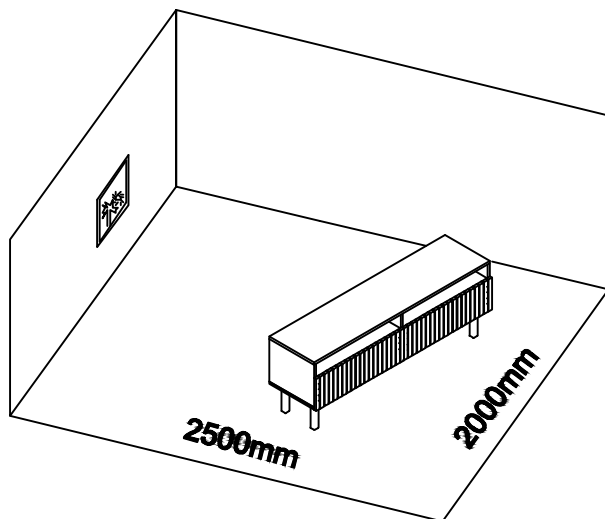
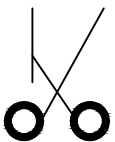
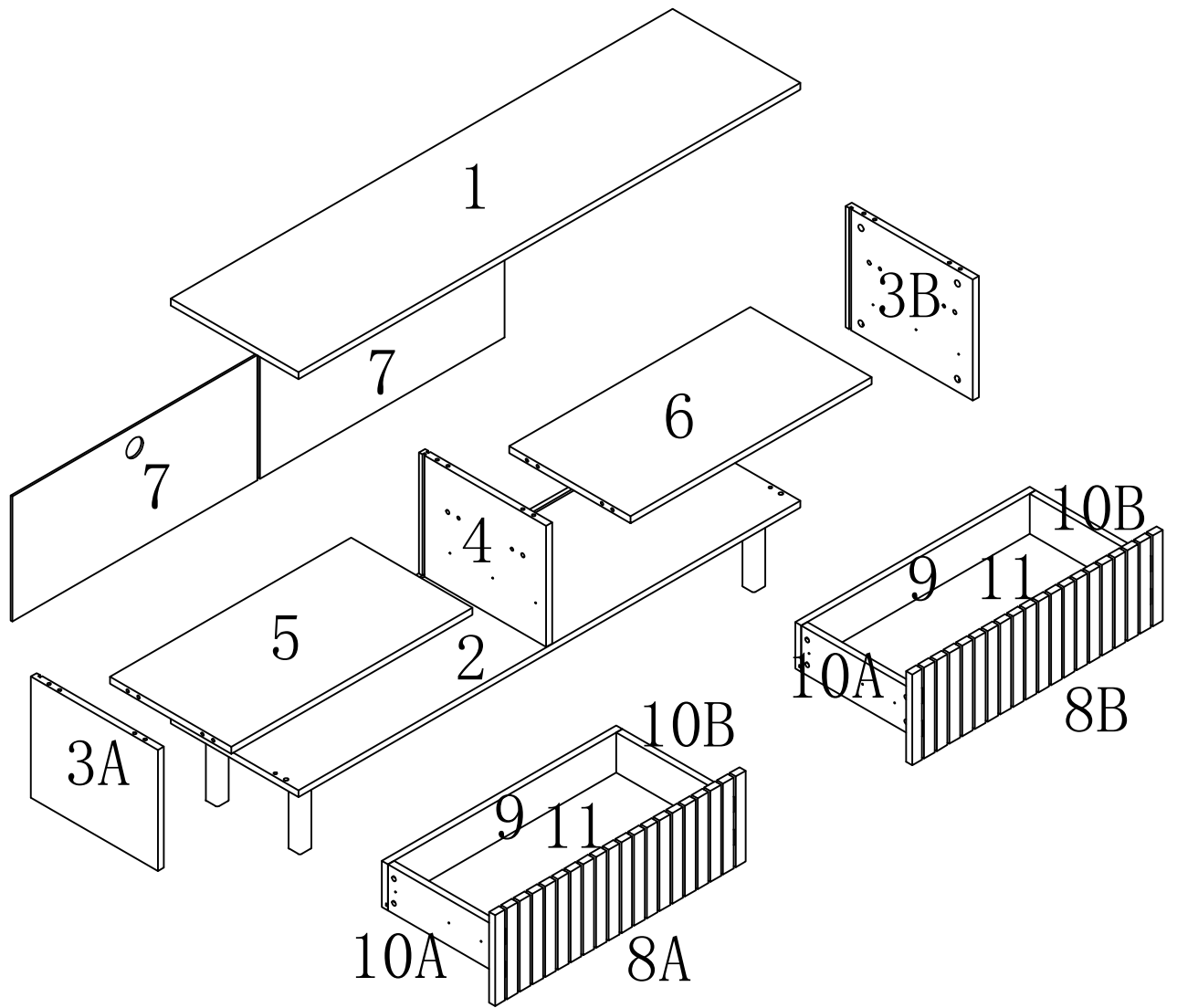


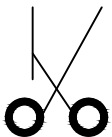
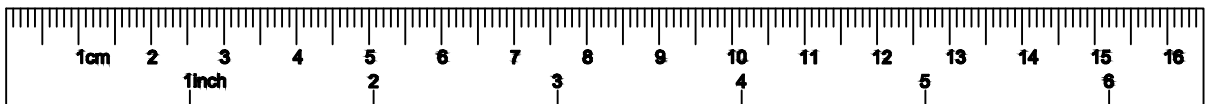
60 min







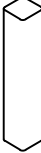
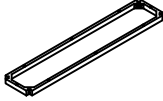





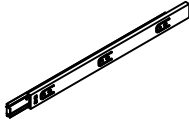

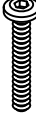


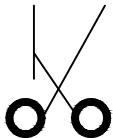
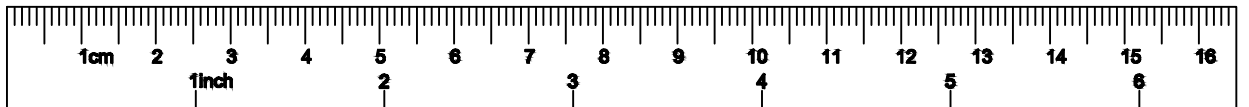
22103

1	1	1500*382*18MM
2	1	1500*382*18MM
3A	1	380*314*18MM
3B	1	380*314*18MM
4	1	380*314*18MM
5	1	721*363*18MM
6	1	721*363*18MM
7	2	732*324*5MM
8A	1	749*235*18MM
8B	1	749*235*18MM
9	2	701*120*18MM
10A	2	332*120*18MM
10B	2	332*120*18MM
11	2	675*342*5MM

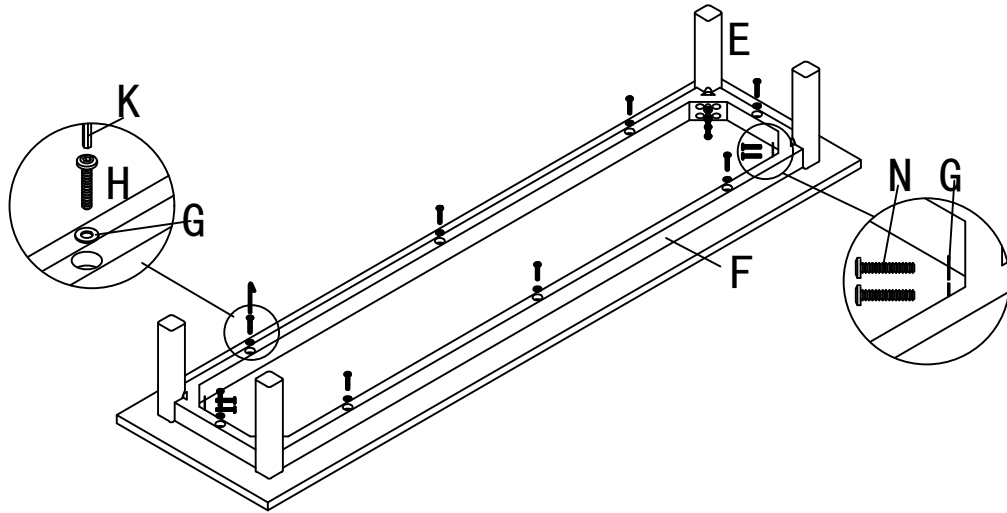
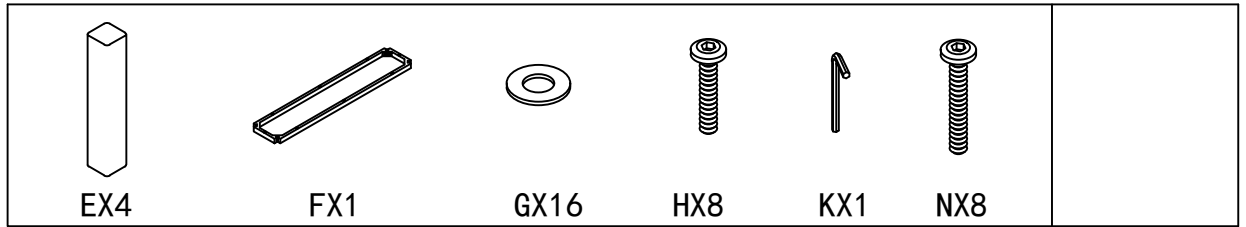




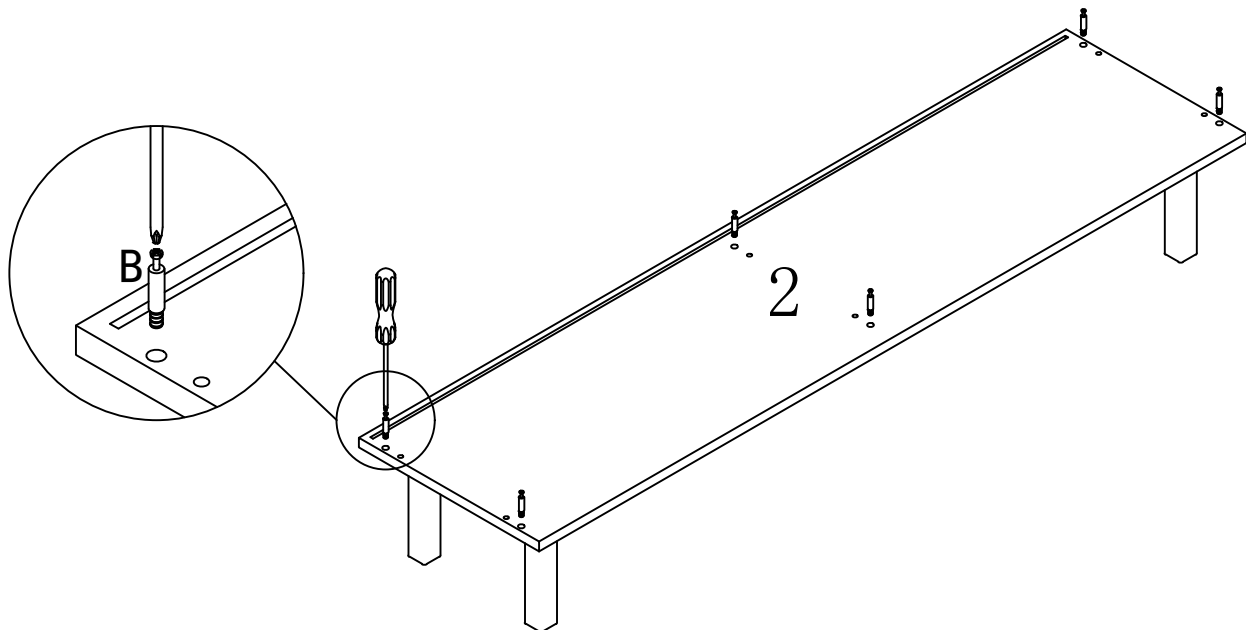
 ϕ 15*12 AX20	 M6*35 BX20	 ϕ 8*40 CX20	 M3.5*15 DX32
 EX4	 FX1	 GX16	 HX8
 IX8	 JX16	 KX1	 LX4
 MX16	 NX8		



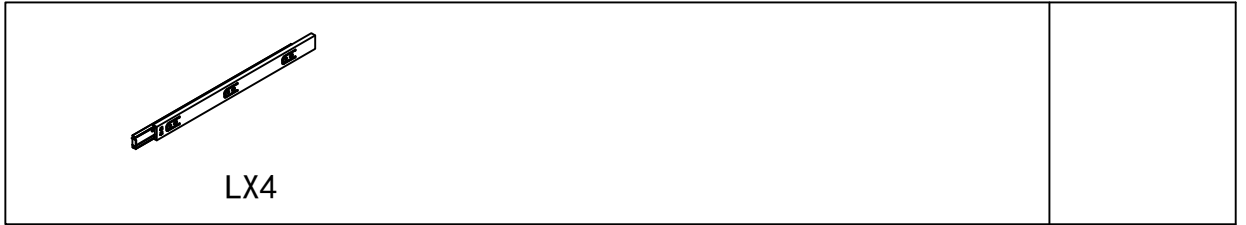
1



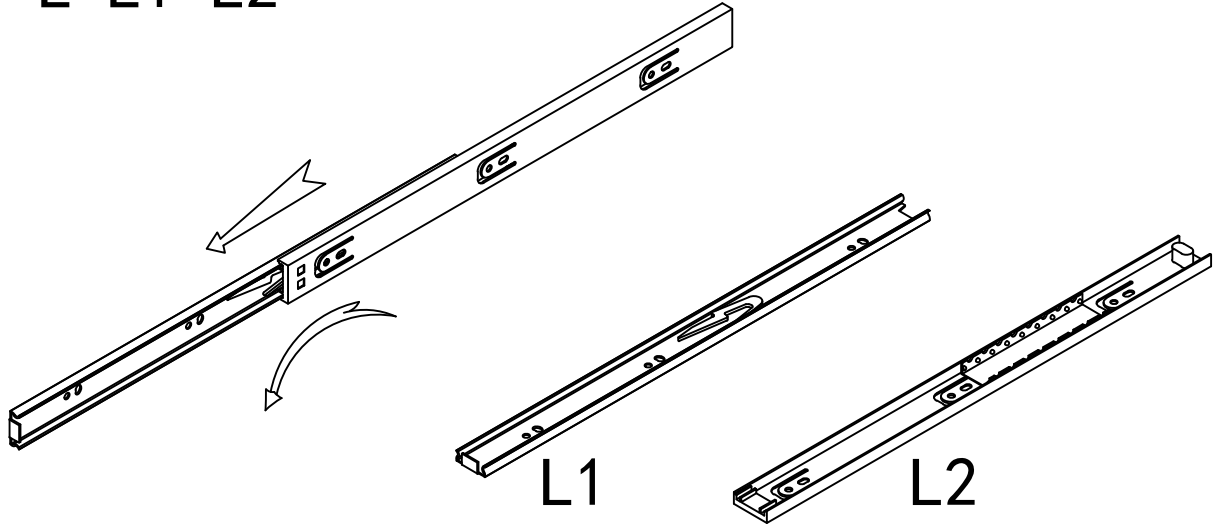
2



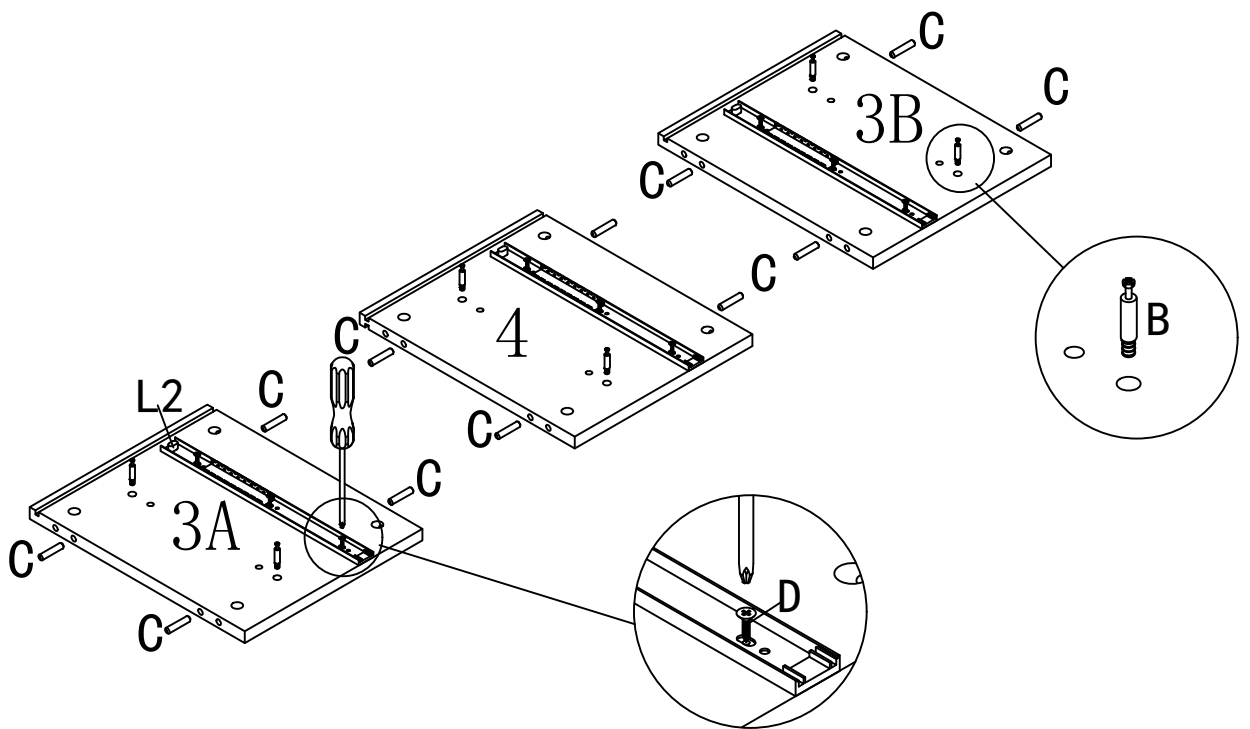
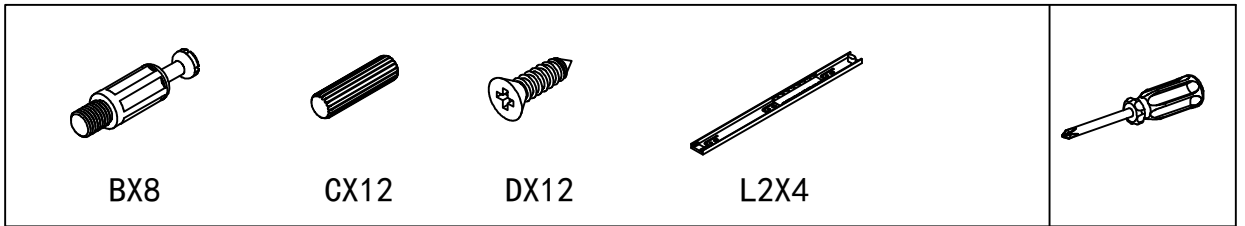
3



$$L=L1+L2$$



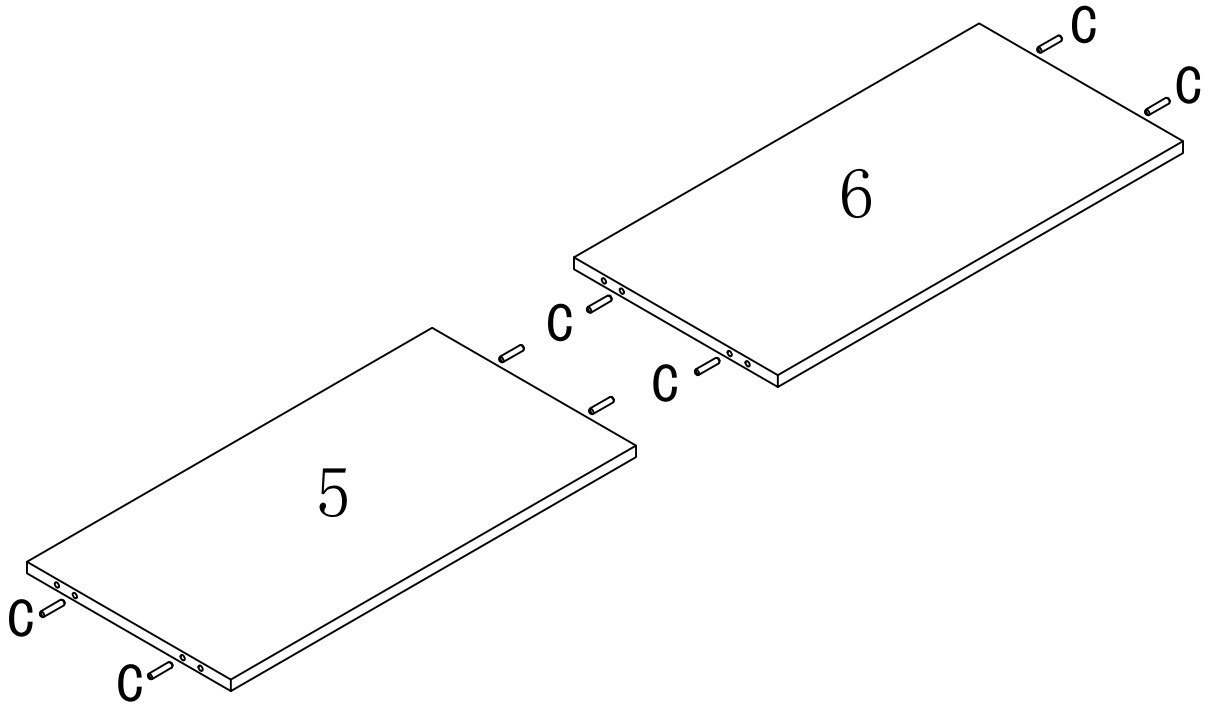
4



5



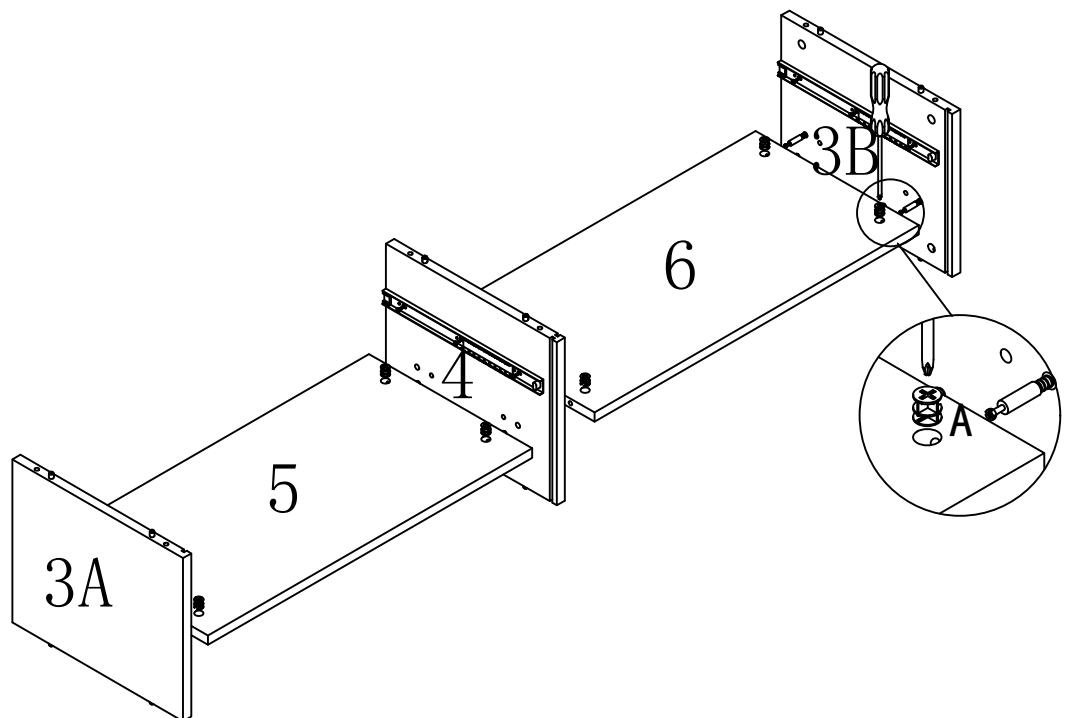
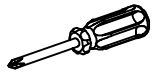
CX8



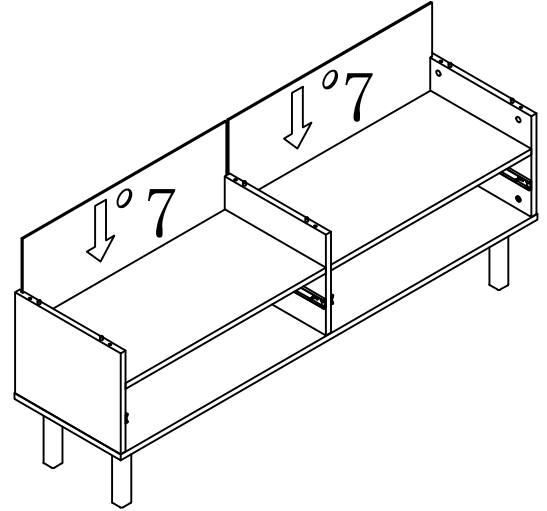
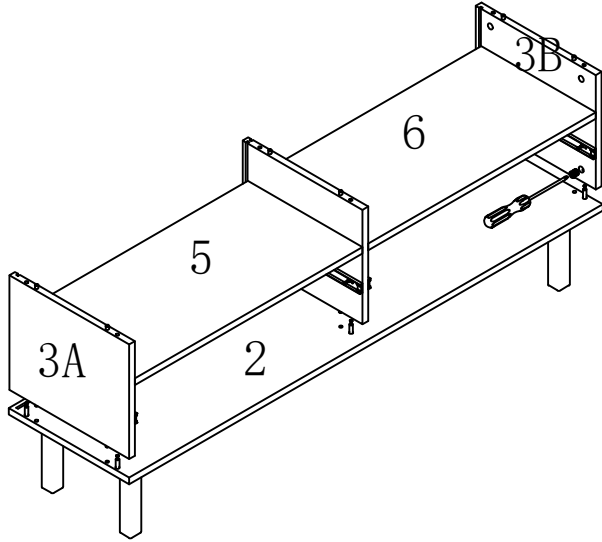
6



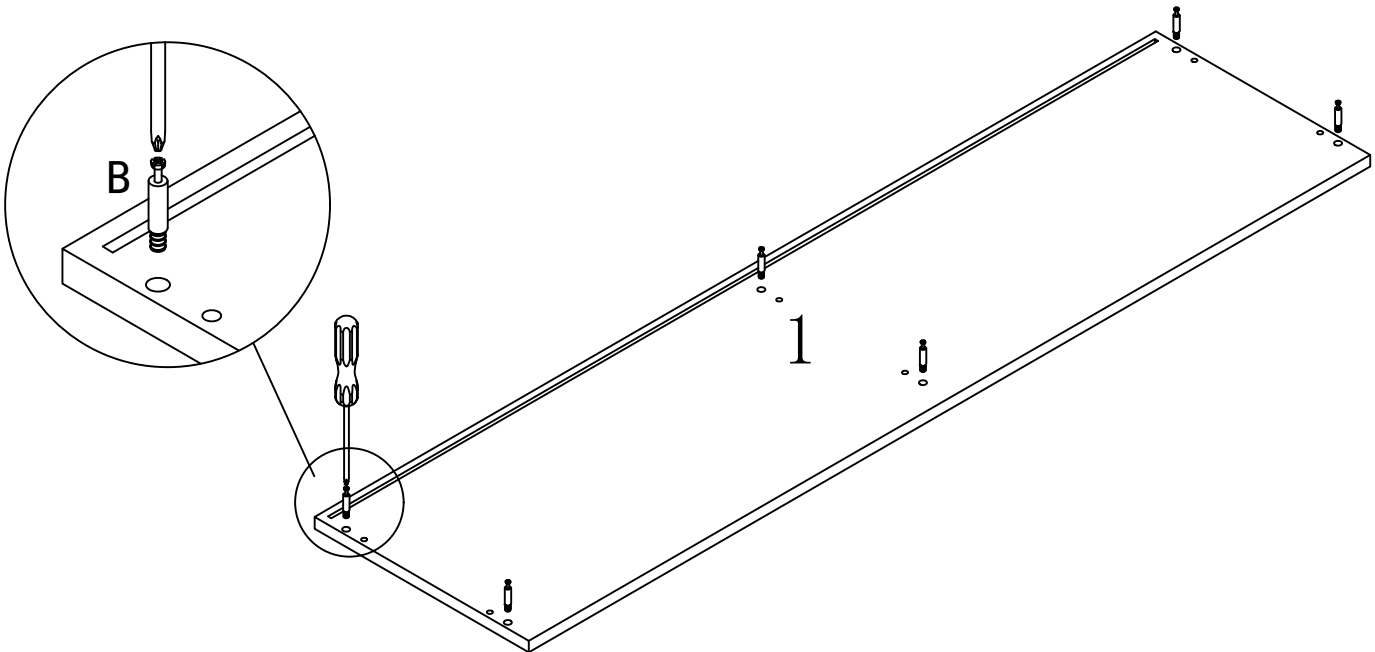
AX8



7



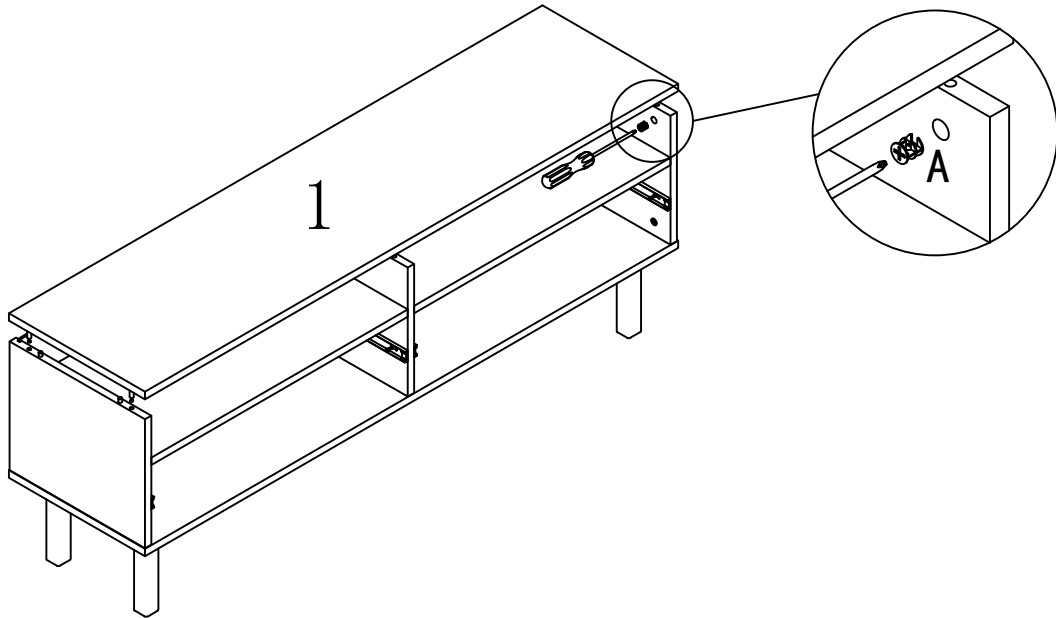
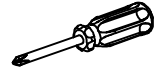
8



9



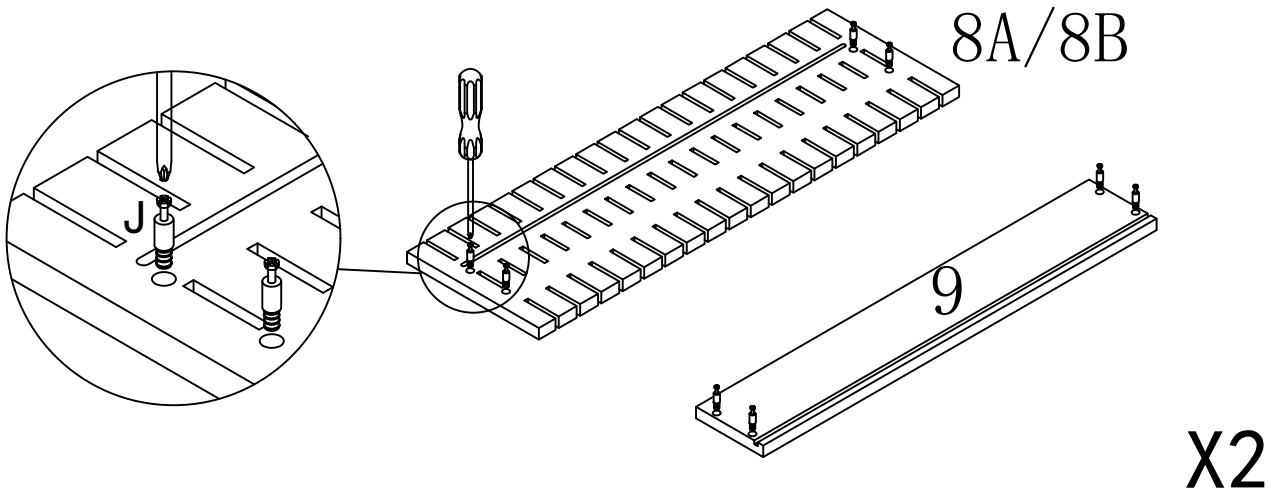
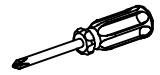
AX6



10

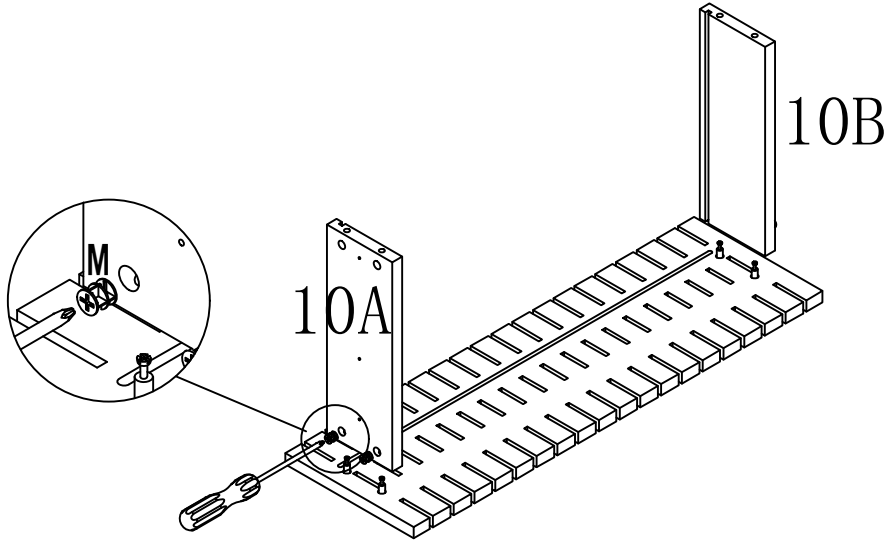
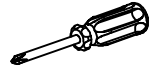


JX16



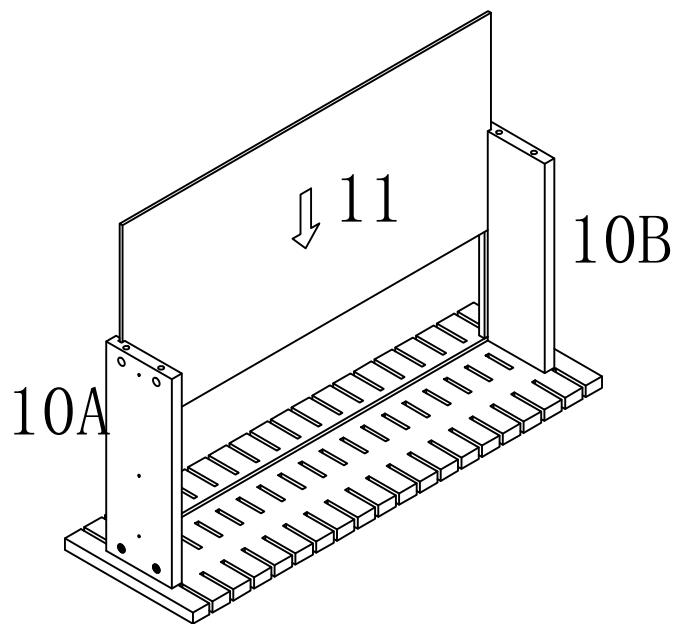
11


MX8



X2

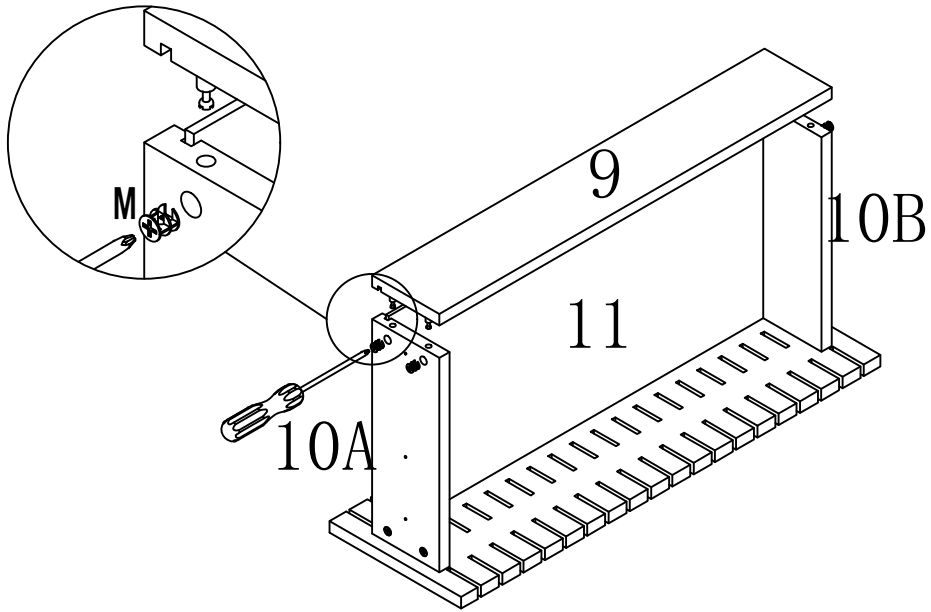
12



X2

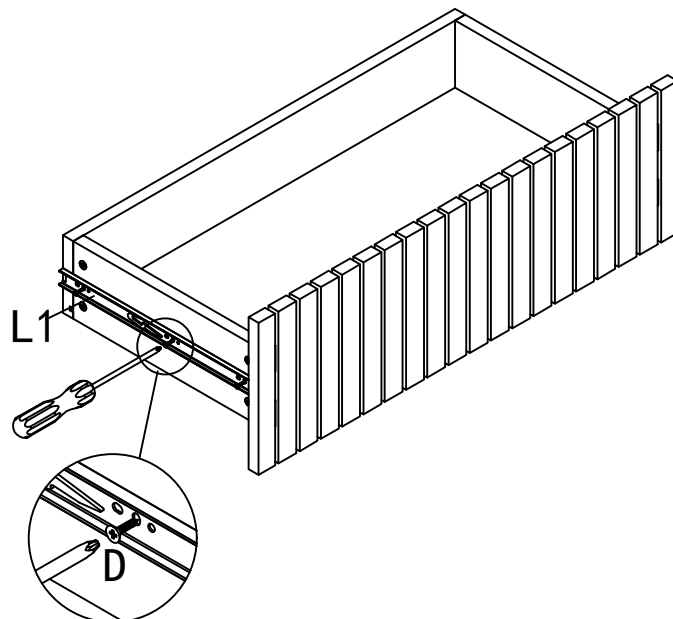
11-13

13



X2

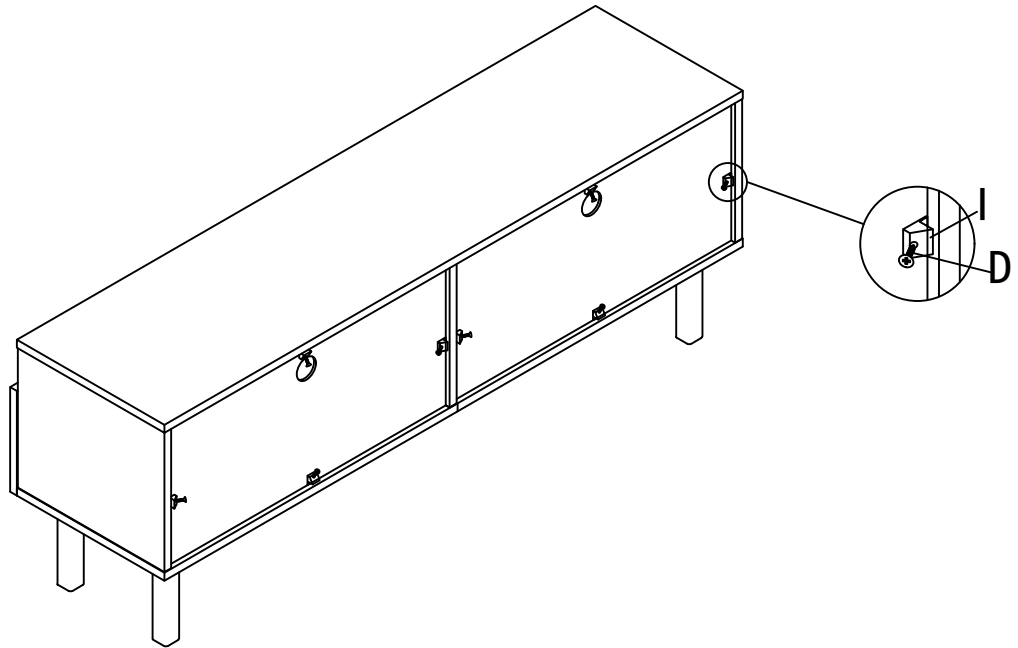
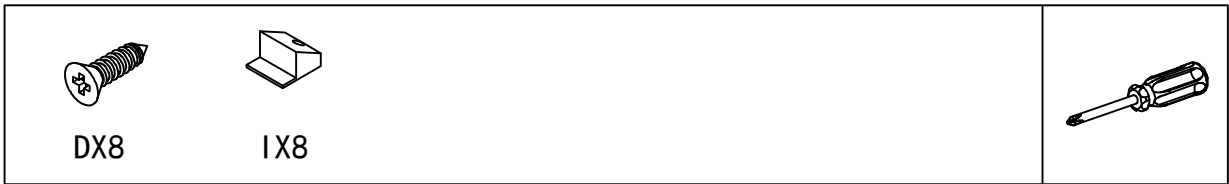
14



X2

12-13

15



16

