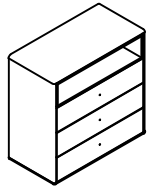
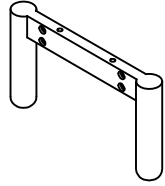


ASSEMBLY PICTURE



Ax1



Bx2



Cx4



Dx8



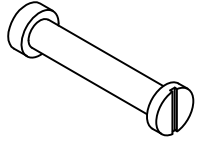
Ex12



Fx1

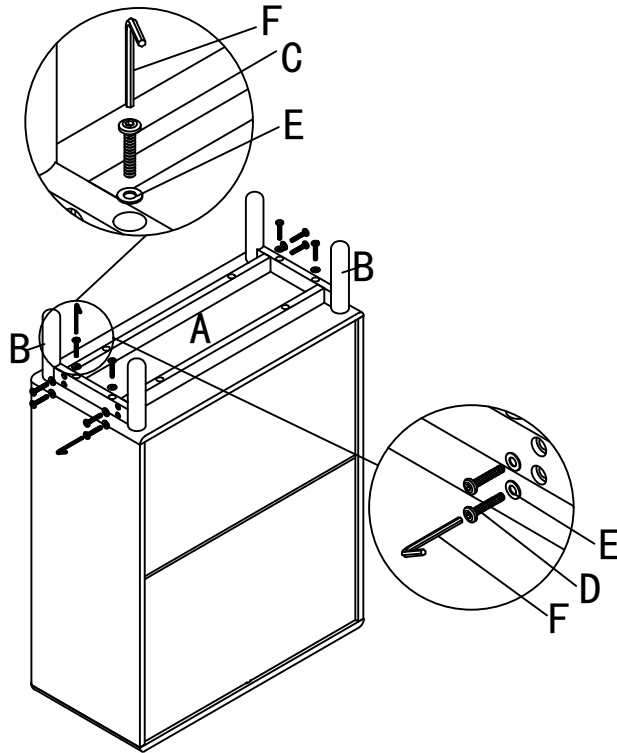


Gx3

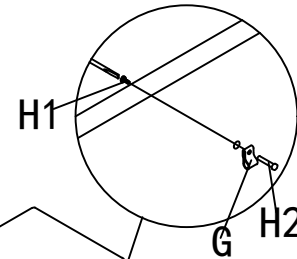
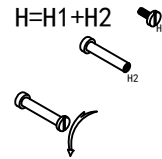


Hx3

①



②



③

