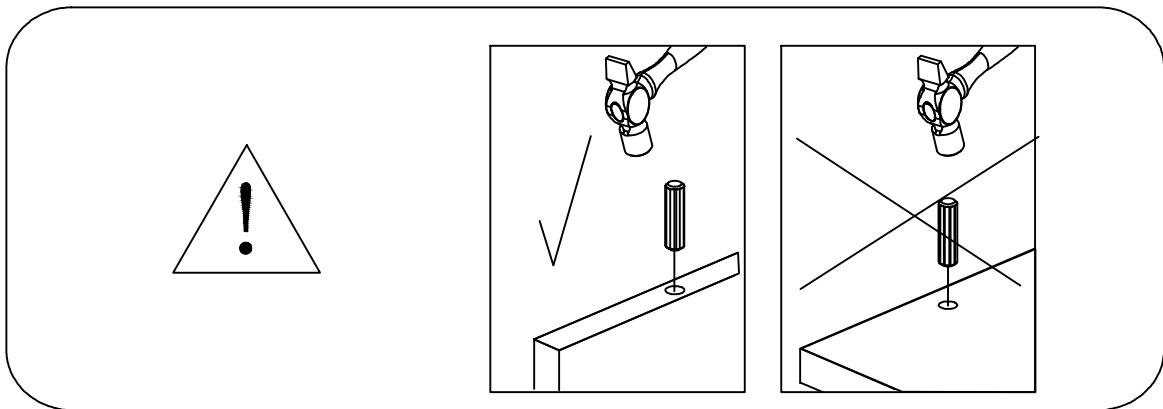
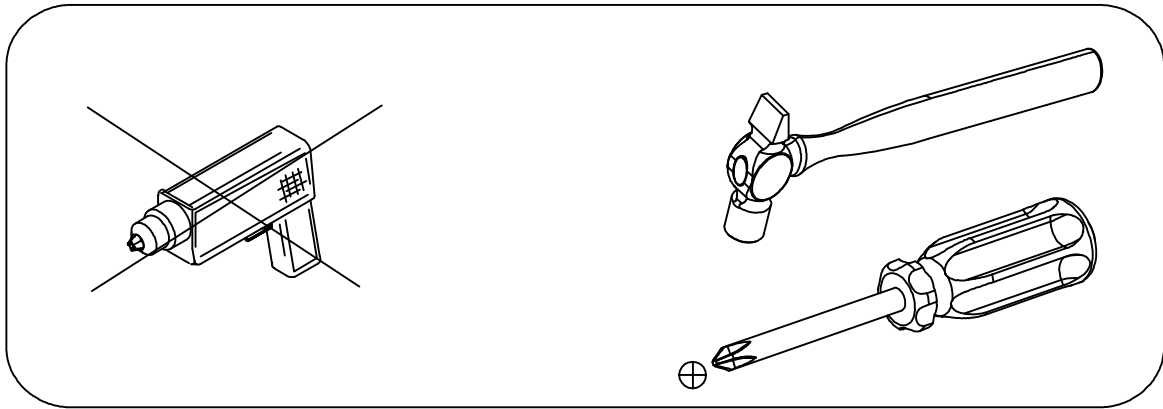
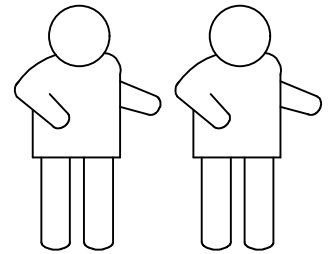
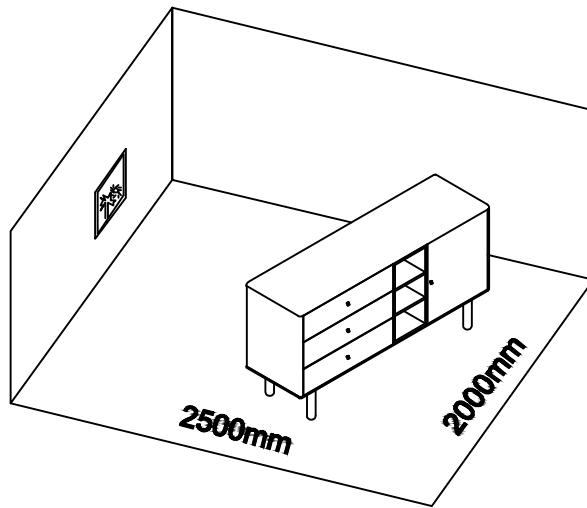
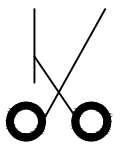
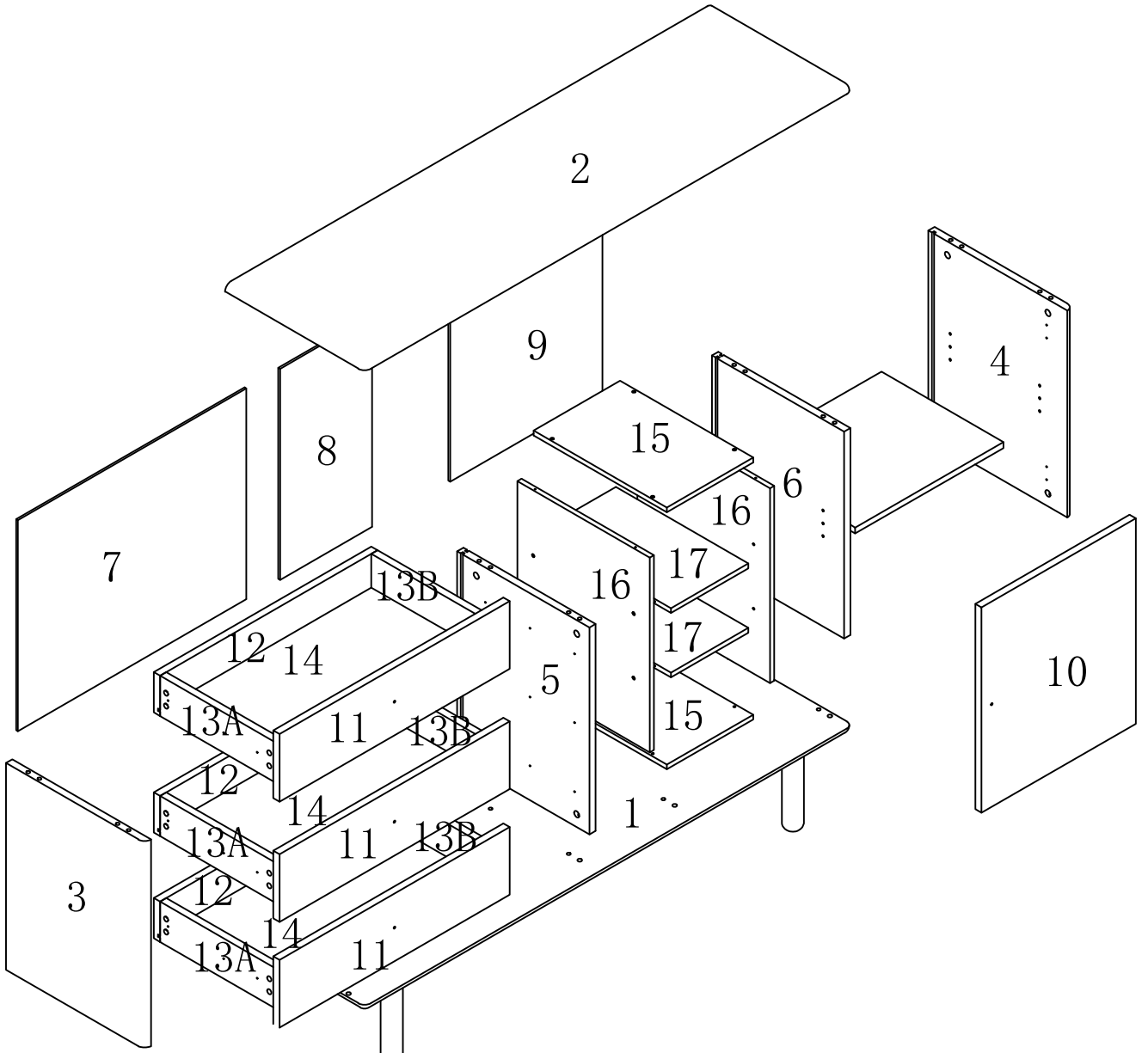


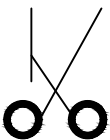
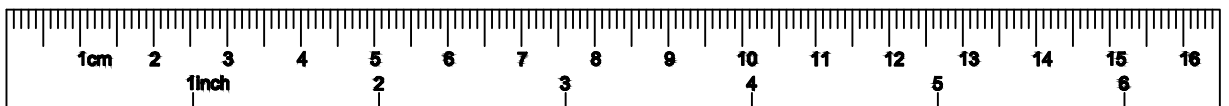
60 min














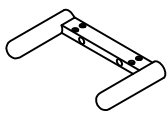
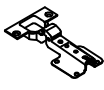



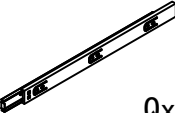





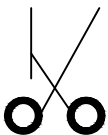
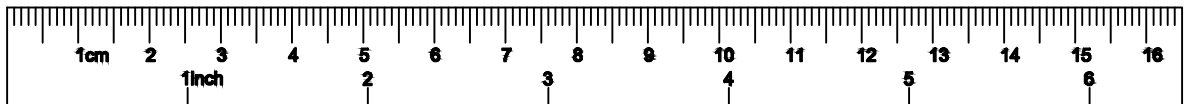
2262

1	1	1400*400*18MM
2	1	1400*400*18MM
3	1	398*514*18MM
4	1	398*514*18MM
5	1	379*514*18MM
6	1	379*514*18MM
7	1	788*524*5MM
8	1	264*524*5MM
9	1	437*524*5MM
10	1	442*510*18MM
11	3	660*168*18MM
12	3	624*100*18
13A	3	332*100*18MM
13B	3	332*100*18MM
14	3	598*342*5MM
15	2	380*248*12MM
16	2	380*484*12MM
17	2	380*222*12MM

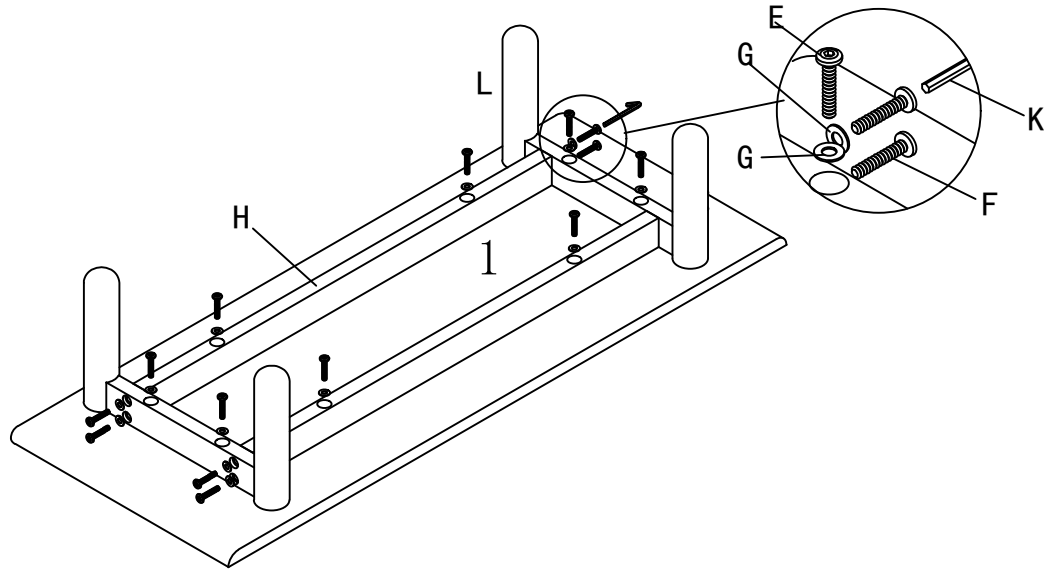
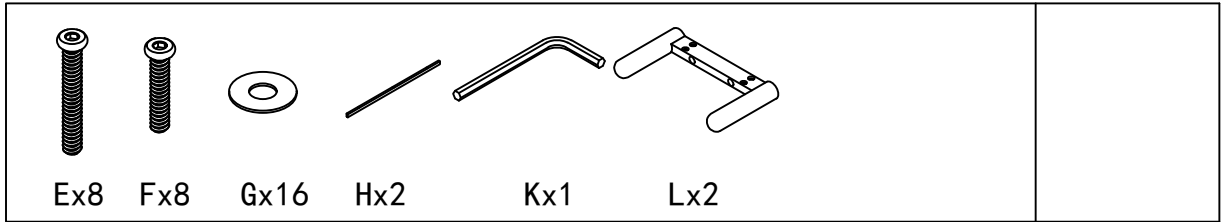




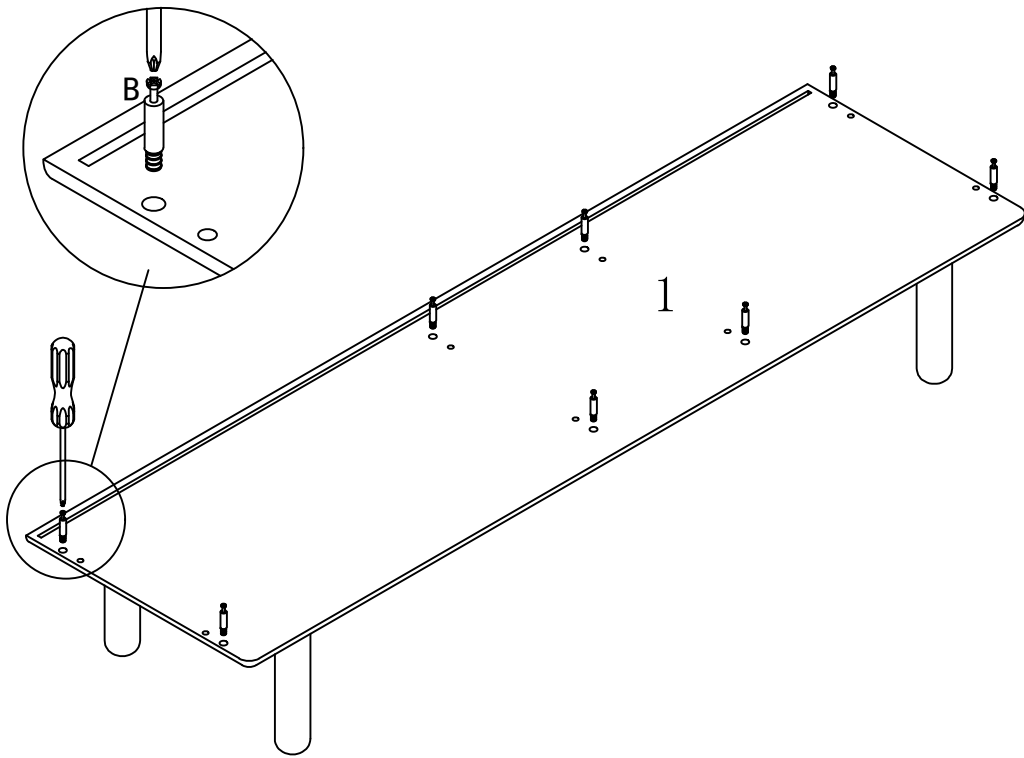
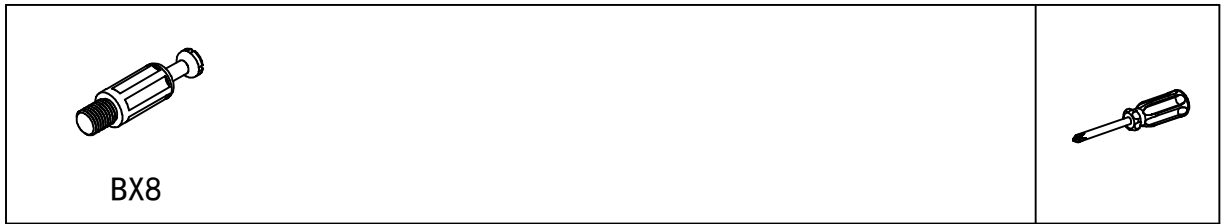
 $\phi$ 15x12 Ax16	 M6x35 Bx16	 $\phi$ 8x40 Cx16	 M3.5x15 Dx60
 M6x40 Ex8	 M6x30 Fx8	 $\phi$ 12xM6x1 Gx16	 Hx2
 Ix12	 Jx4	 Kx1	 Lx2
 Mx2	 Nx24	 Ox4	 Px4
 Qx6	 Rx16	 Sx16	 Tx24



# 1



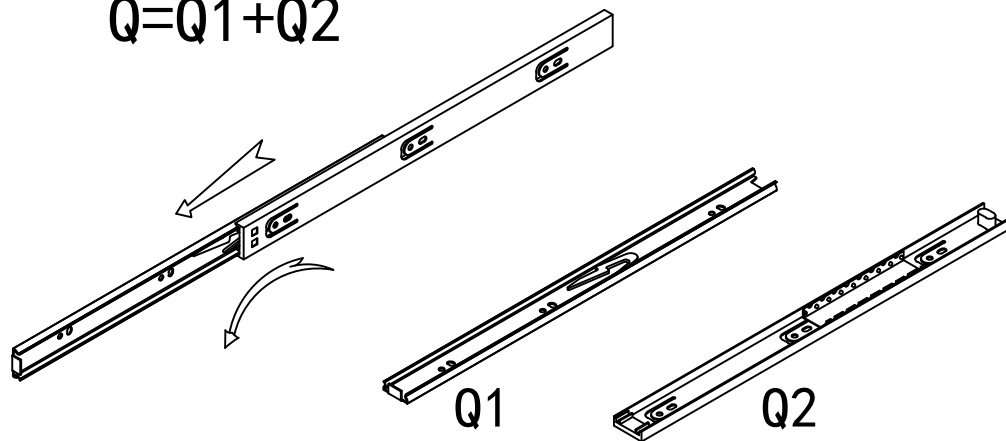
# 2



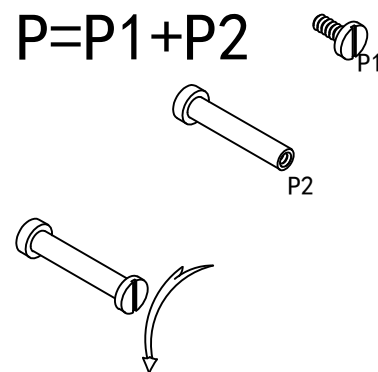
# 3



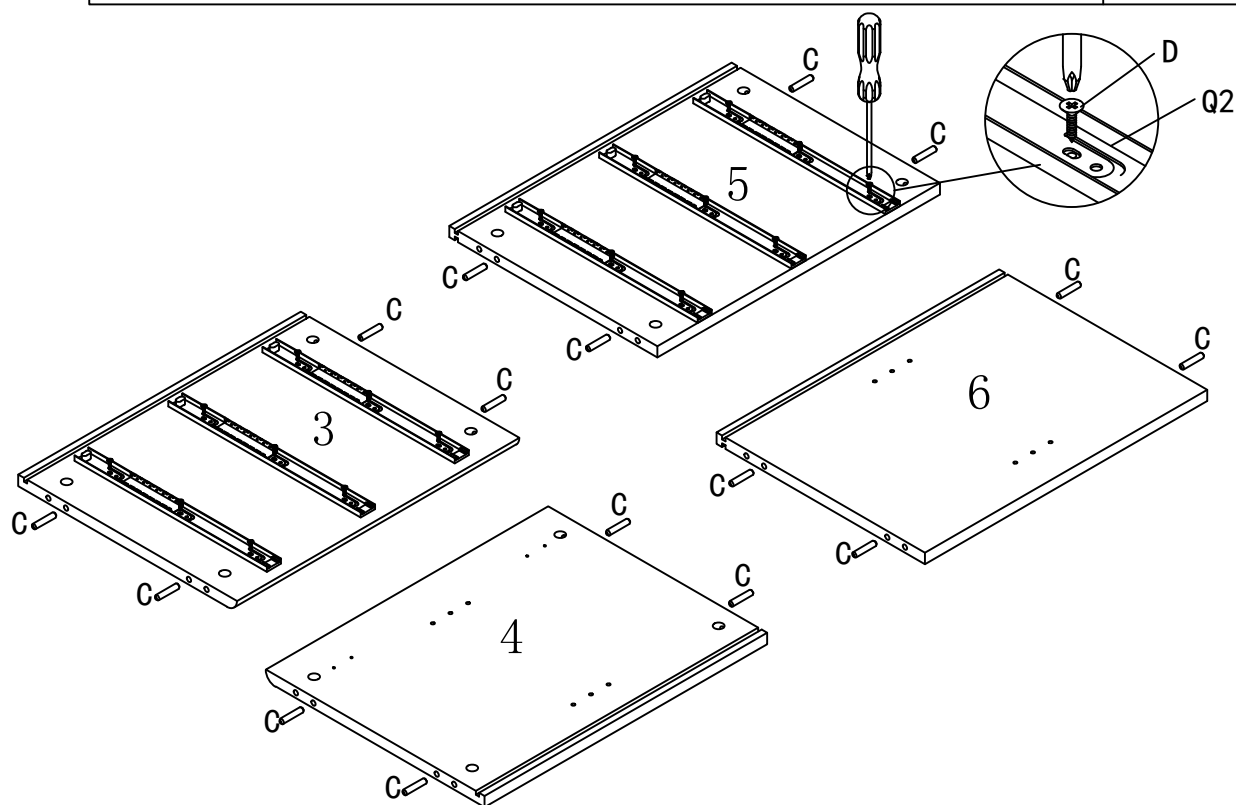
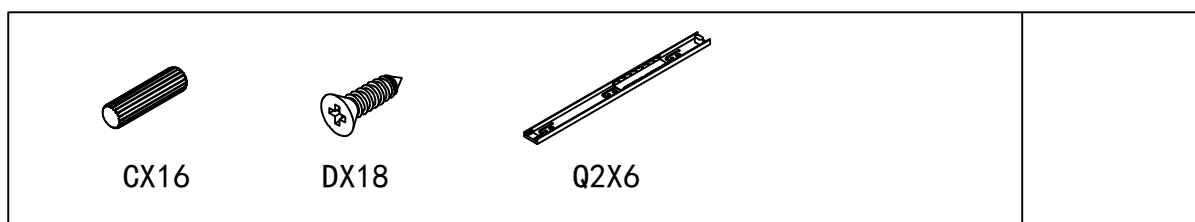
$Q=Q1+Q2$



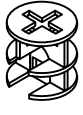
$P=P1+P2$



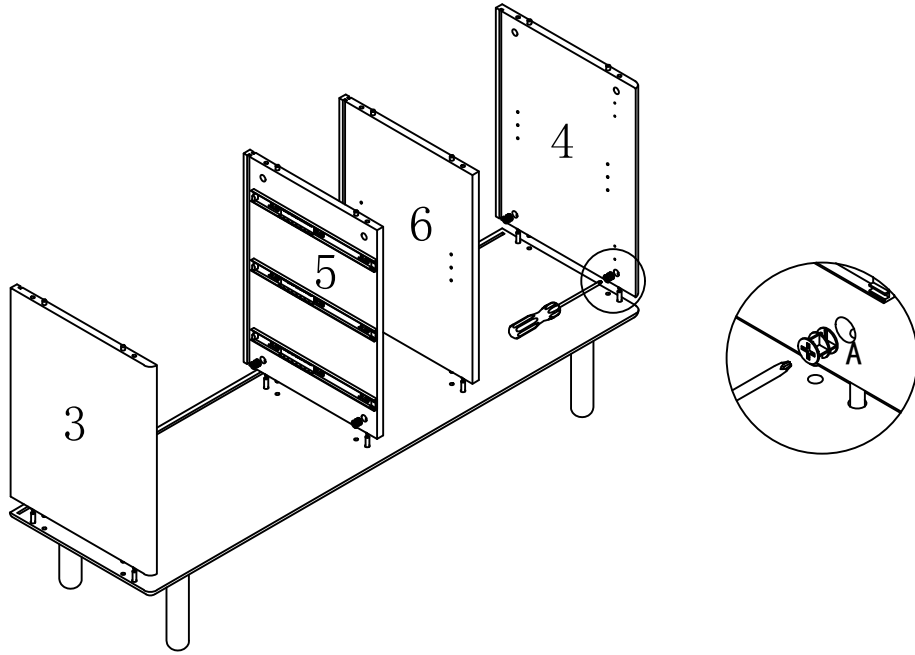
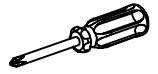
# 4



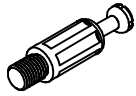
# 5



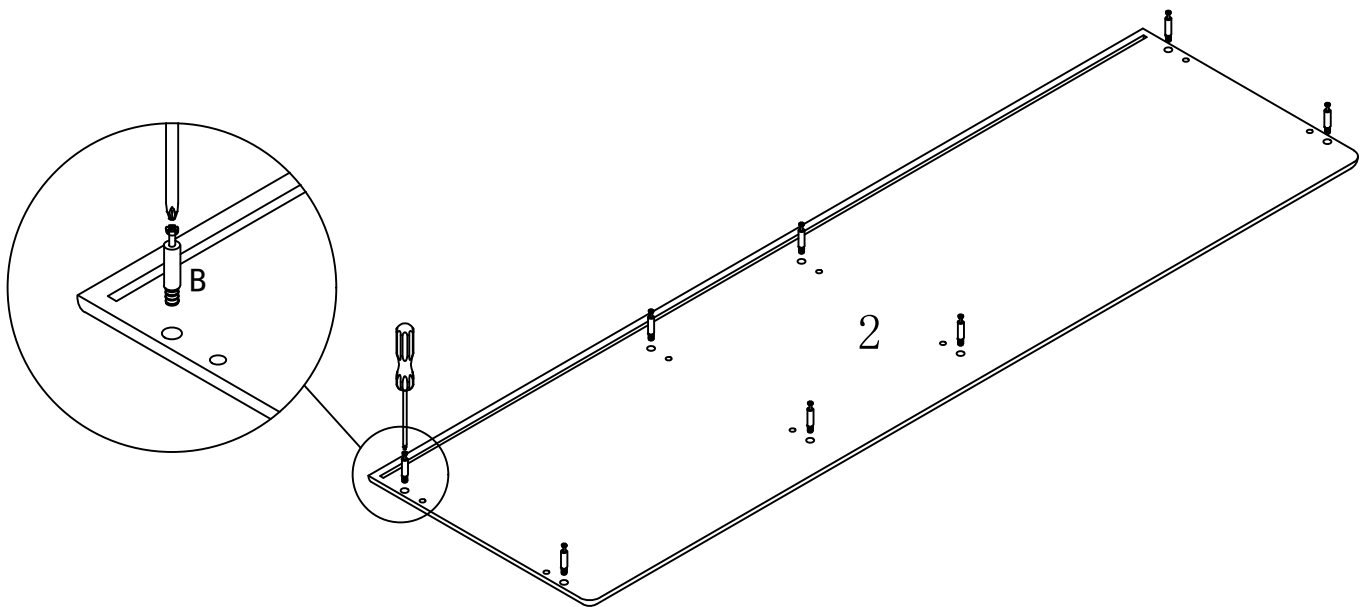
AX8



# 6

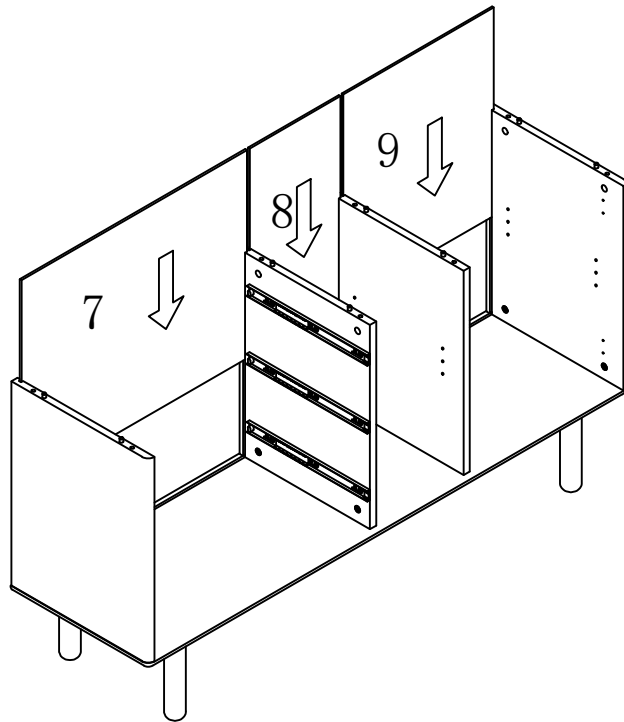


BX8

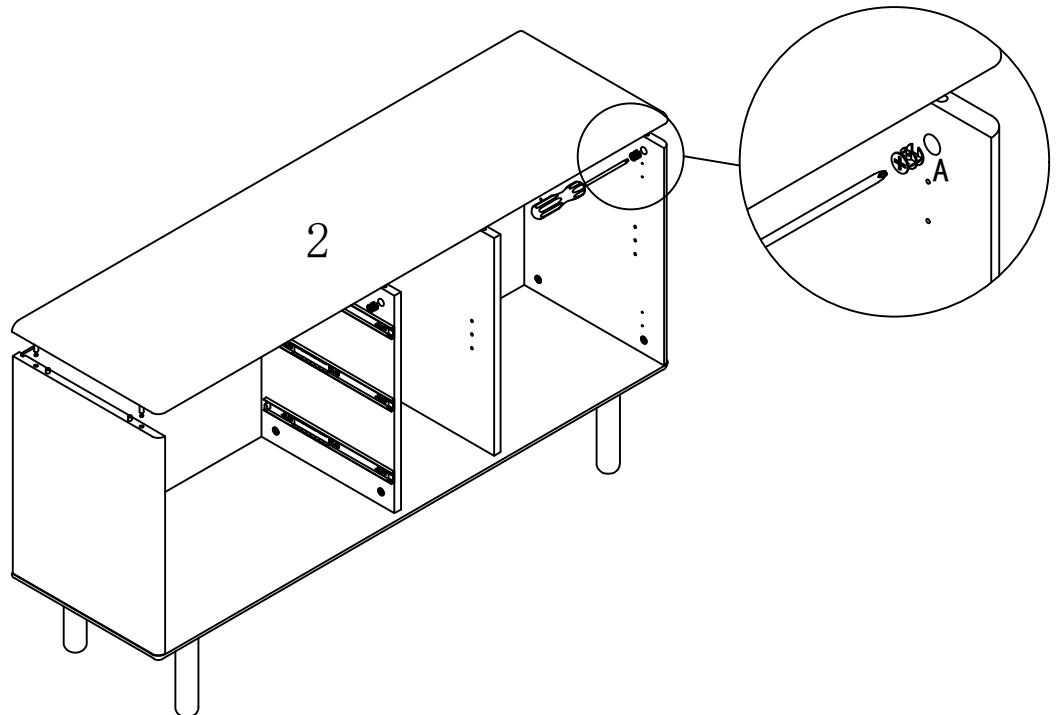




# 7



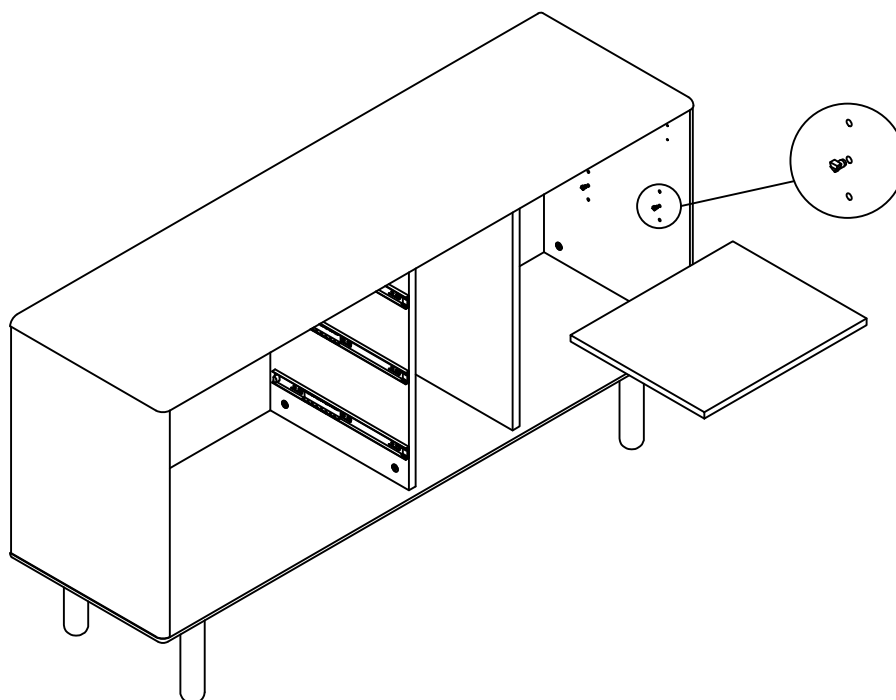
# 8



# 9



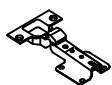
Jx4



# 10



DX4



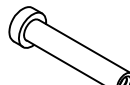
MX2



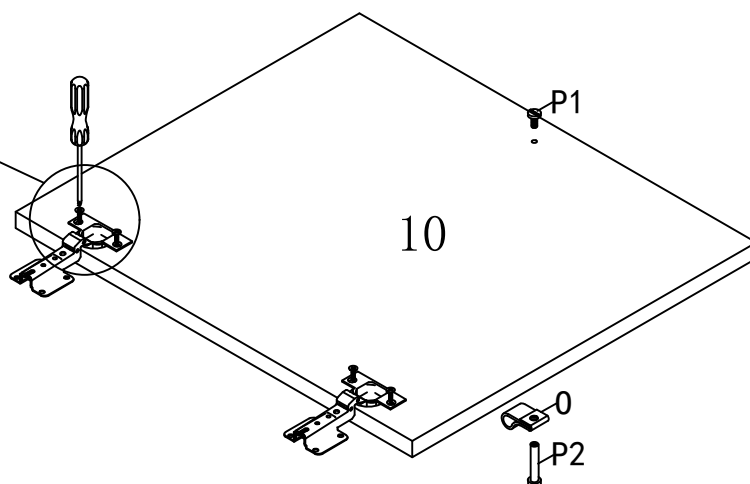
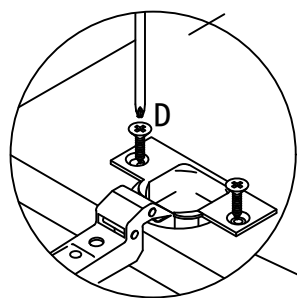
OX1



P1X1



P2X1

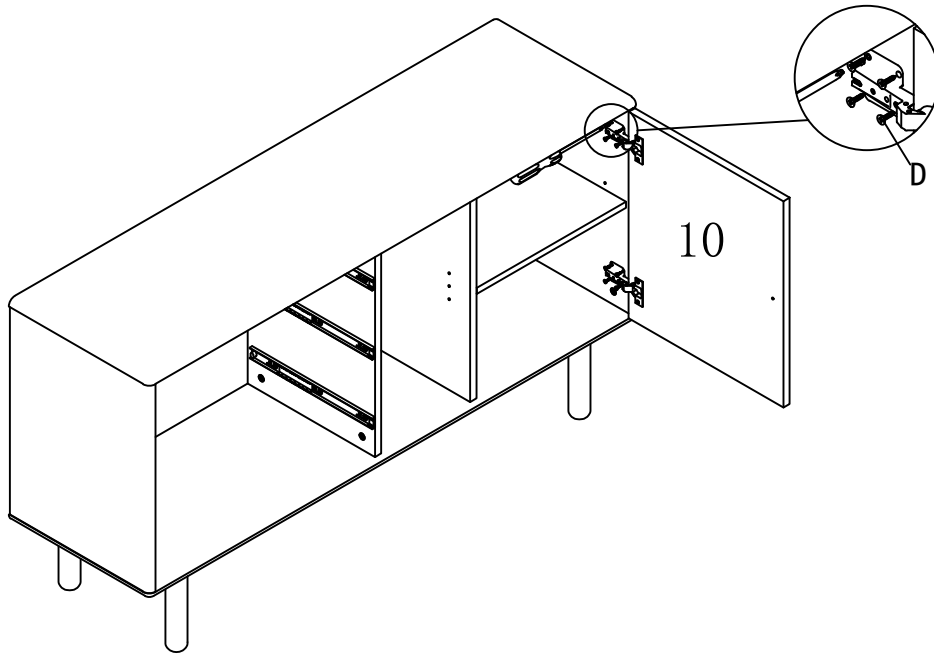


10-16

# 11



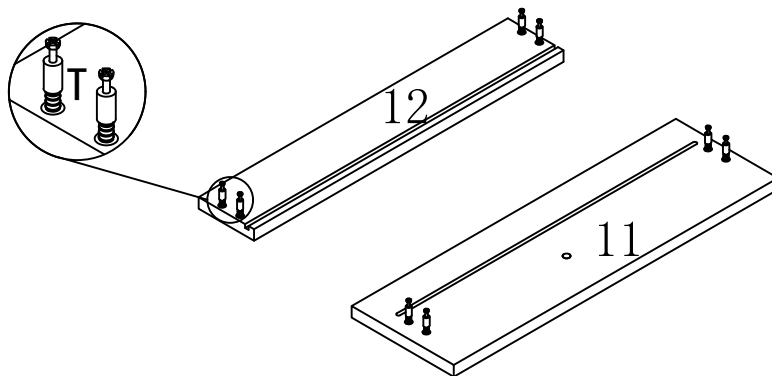
DX8



# 12



TX24



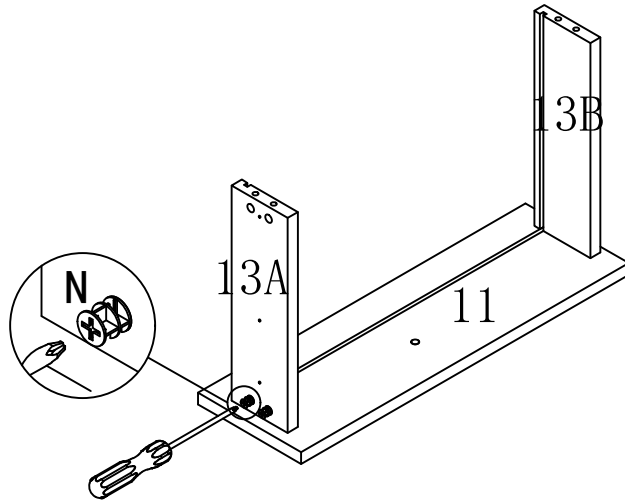
X3

11-16

# 13

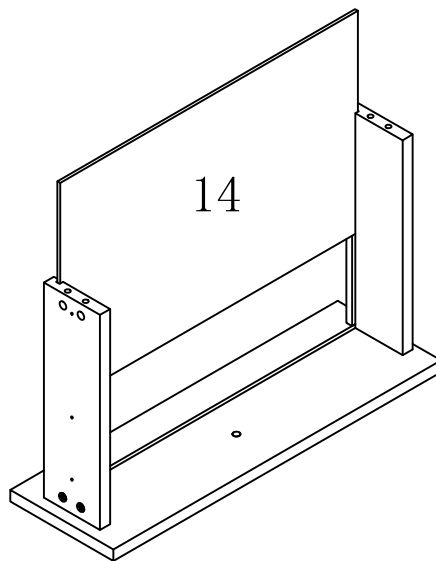


NX12



X3

# 14

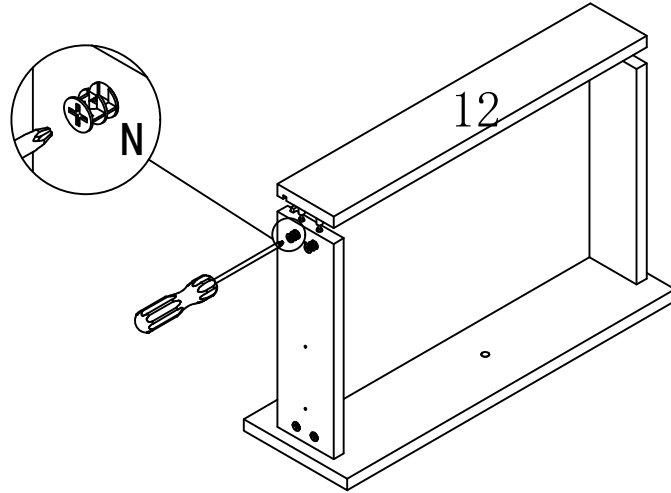


X3

# 15



NX12

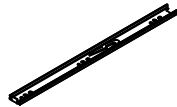


X3

# 16



DX18



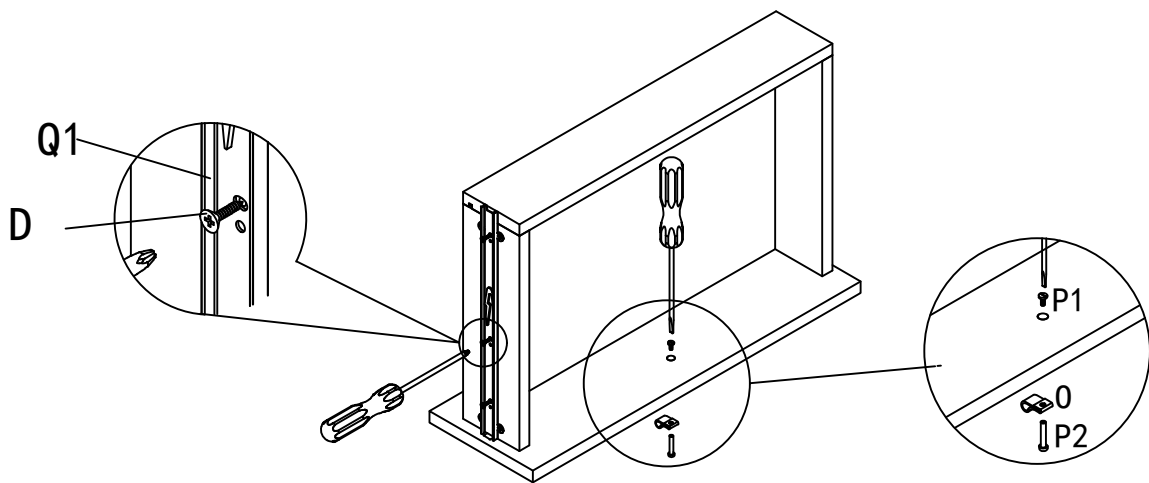
Q1X6



Ox3

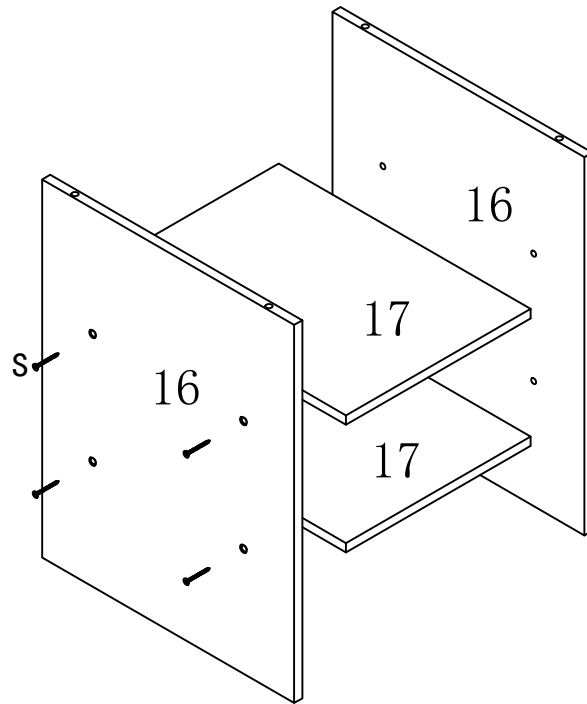


Px3

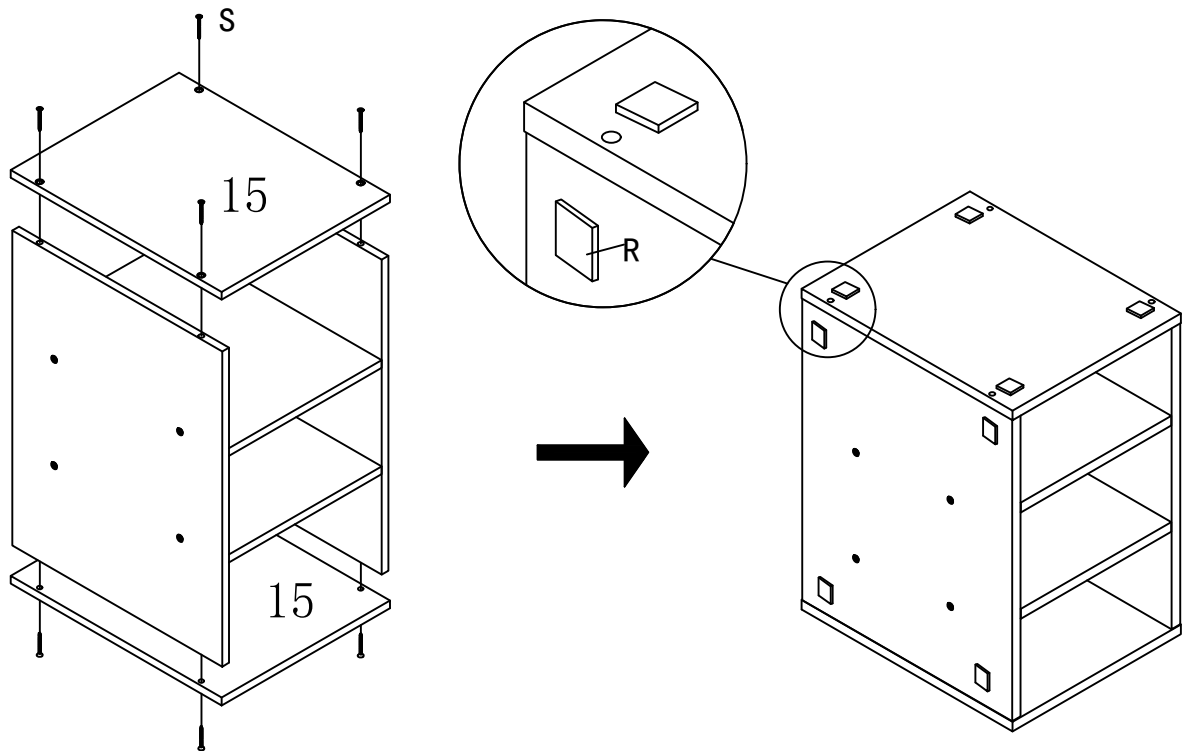


X3

# 17

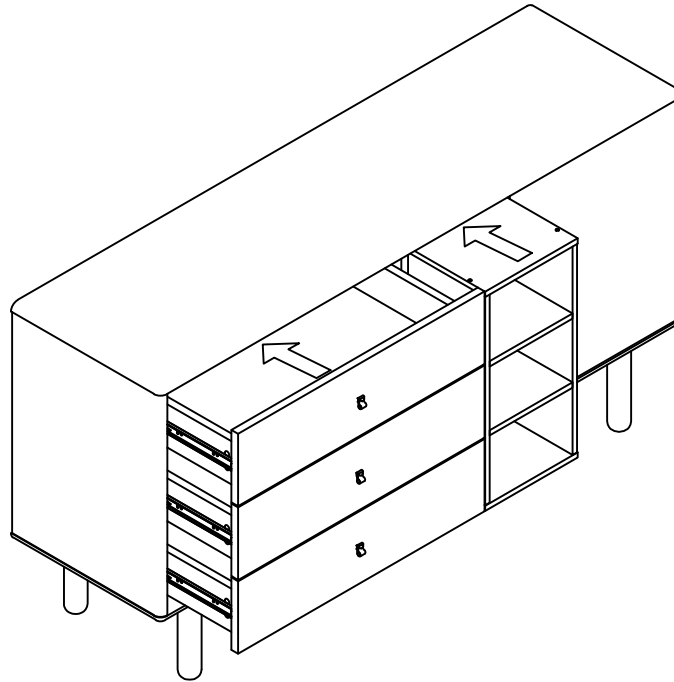


# 18

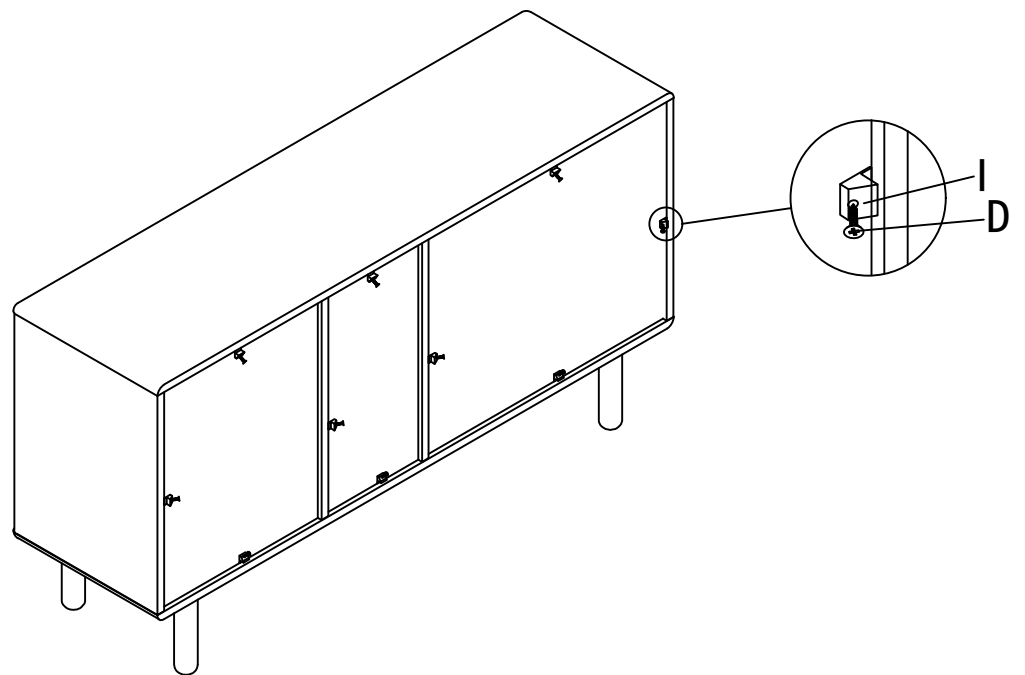


14-16

# 19



# 20



15-16

# 21

