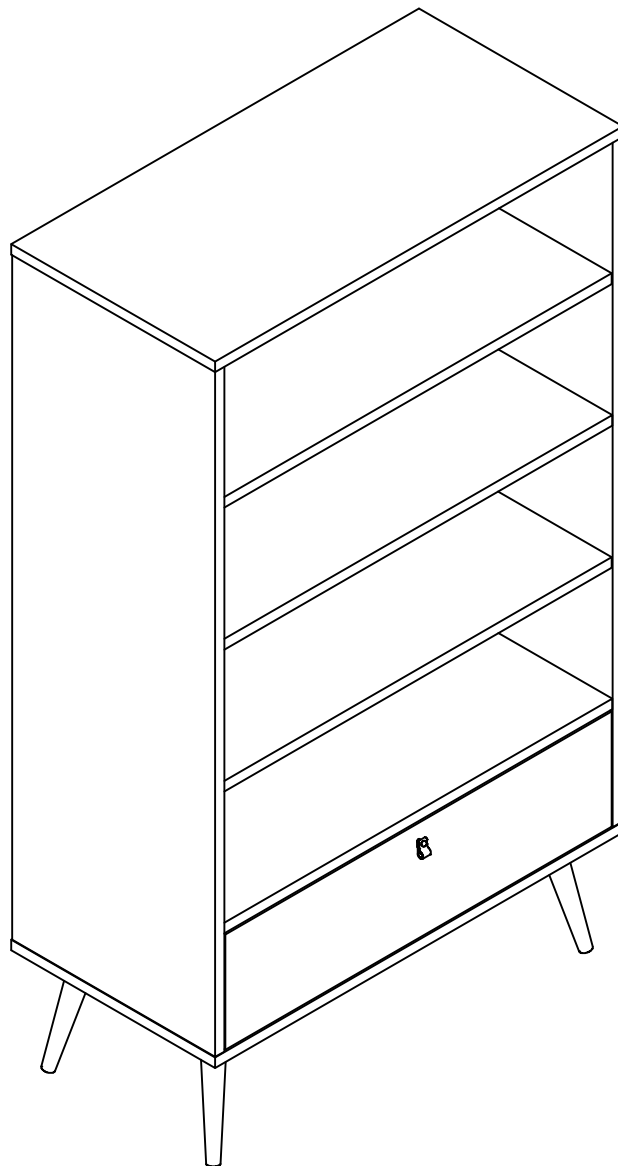
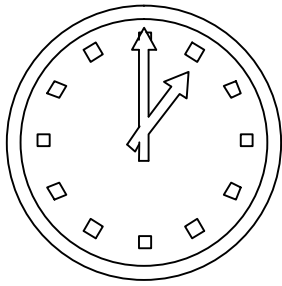


Assembly Instructions

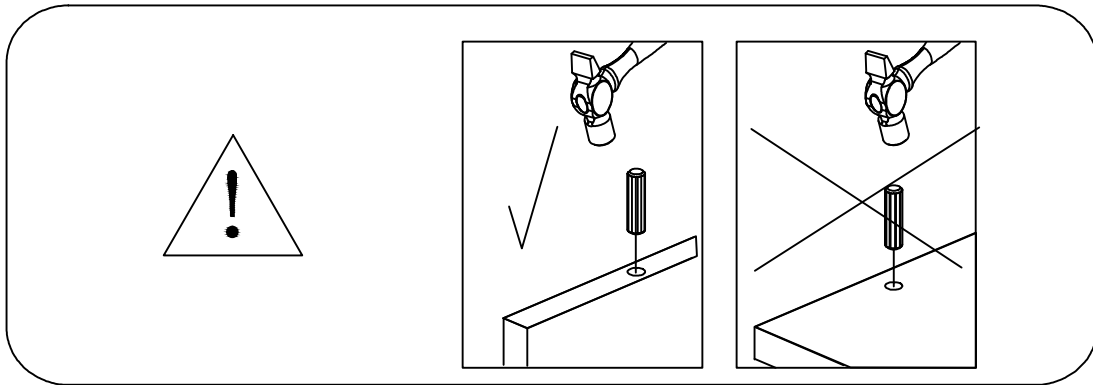
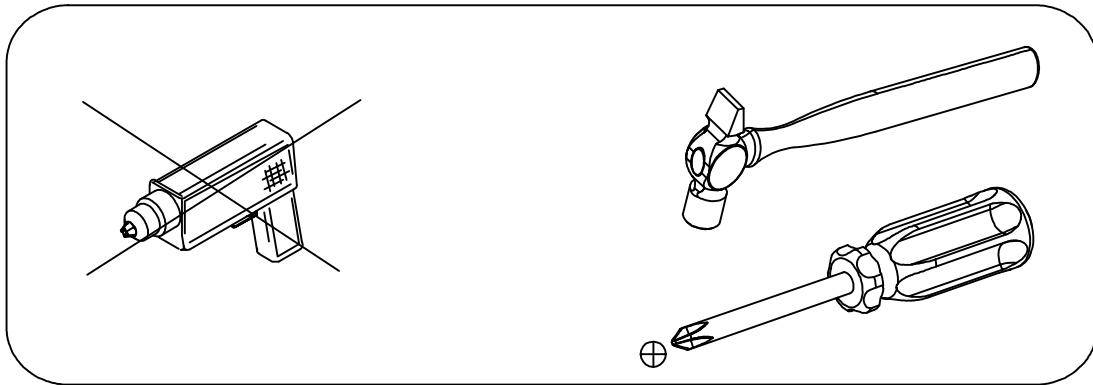
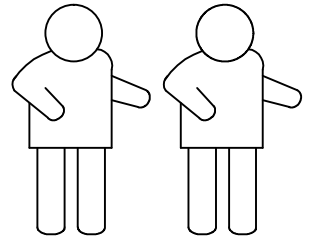
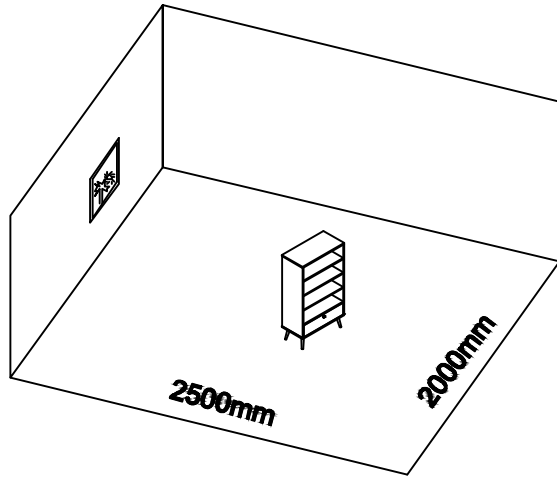
1233

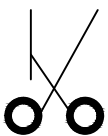
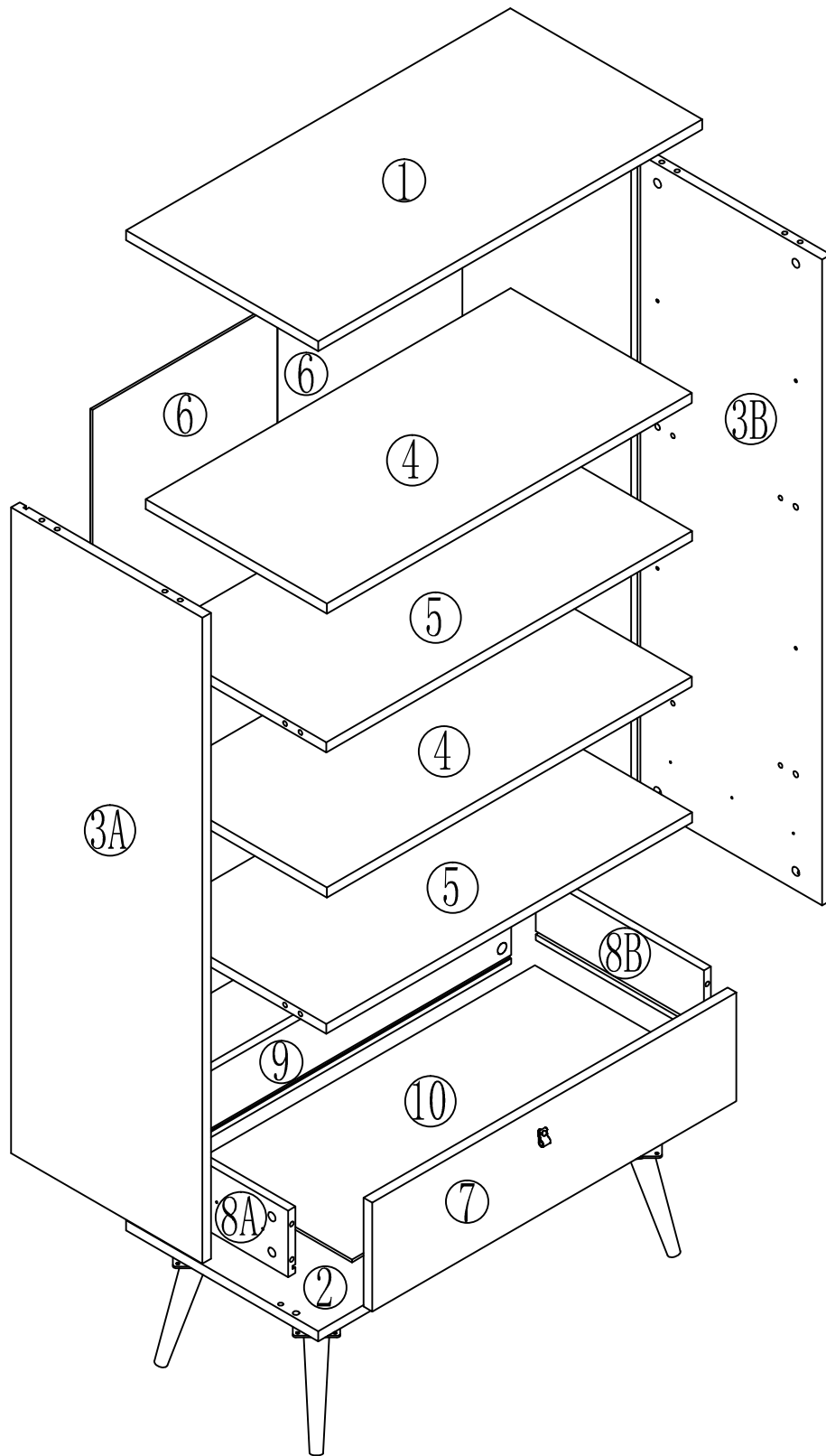


1-14

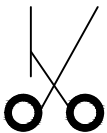
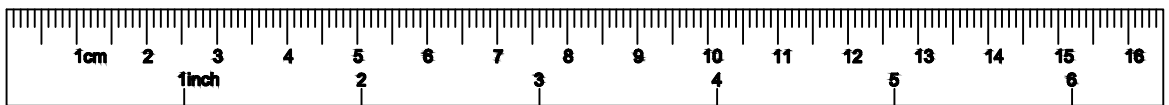


60 min






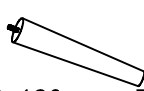














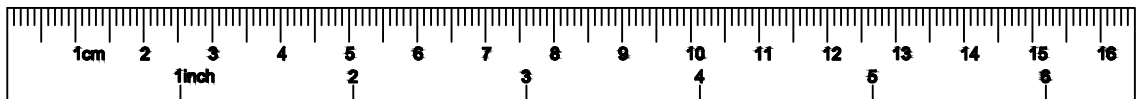
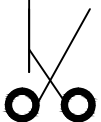


		1 2 3 3
1	1	800x400x18 MM
2	1	800x400x18 MM
3A	1	398x1164x18 MM
3B	1	398x1164x18 MM
4	2	760x377x15 MM
5	2	762x377x18 MM
6	2	1174x385x5 MM
7	1	758x196x18 MM
8A	1	332x120x18 MM
8B	1	332x120x18 MM
9	1	741x120x18 MM
10	1	715x342x5 MM

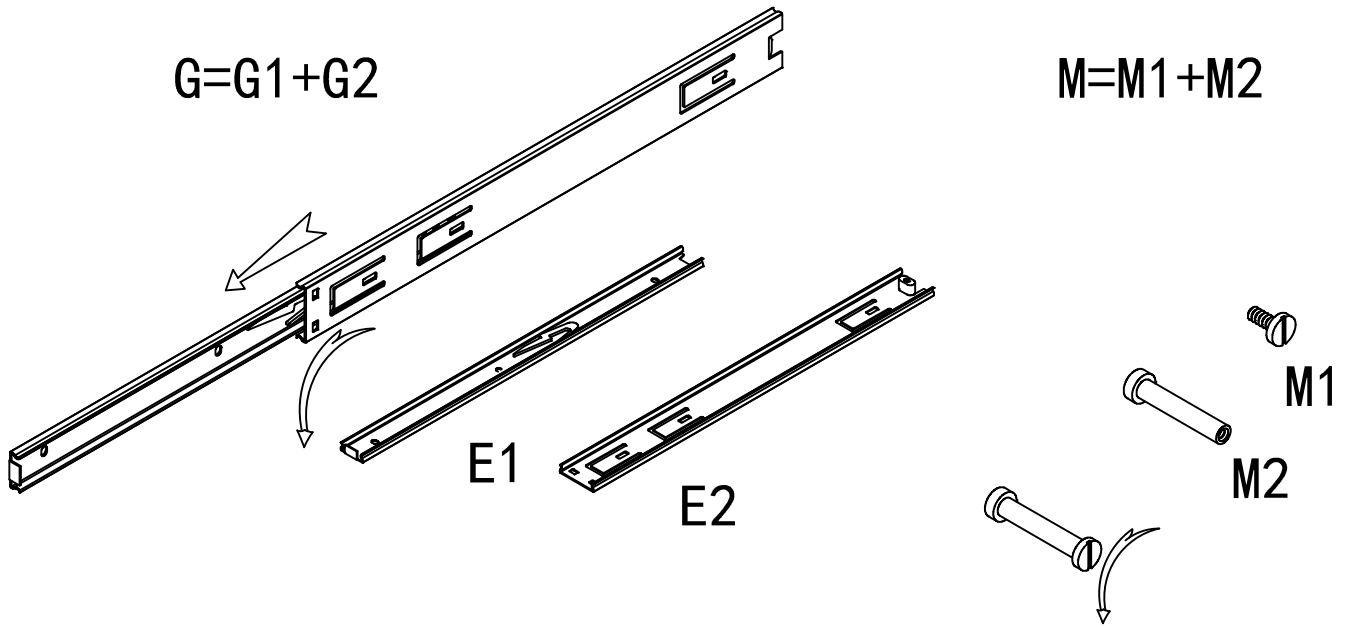
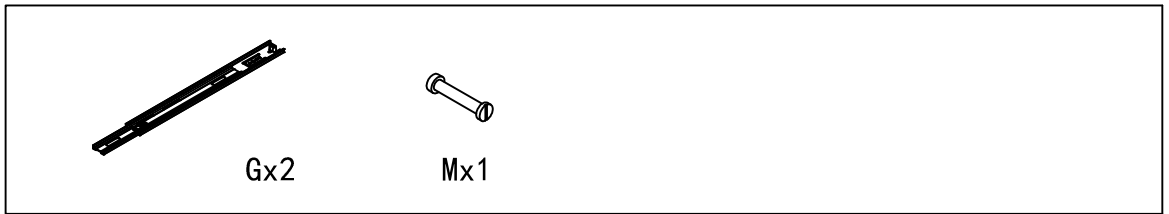




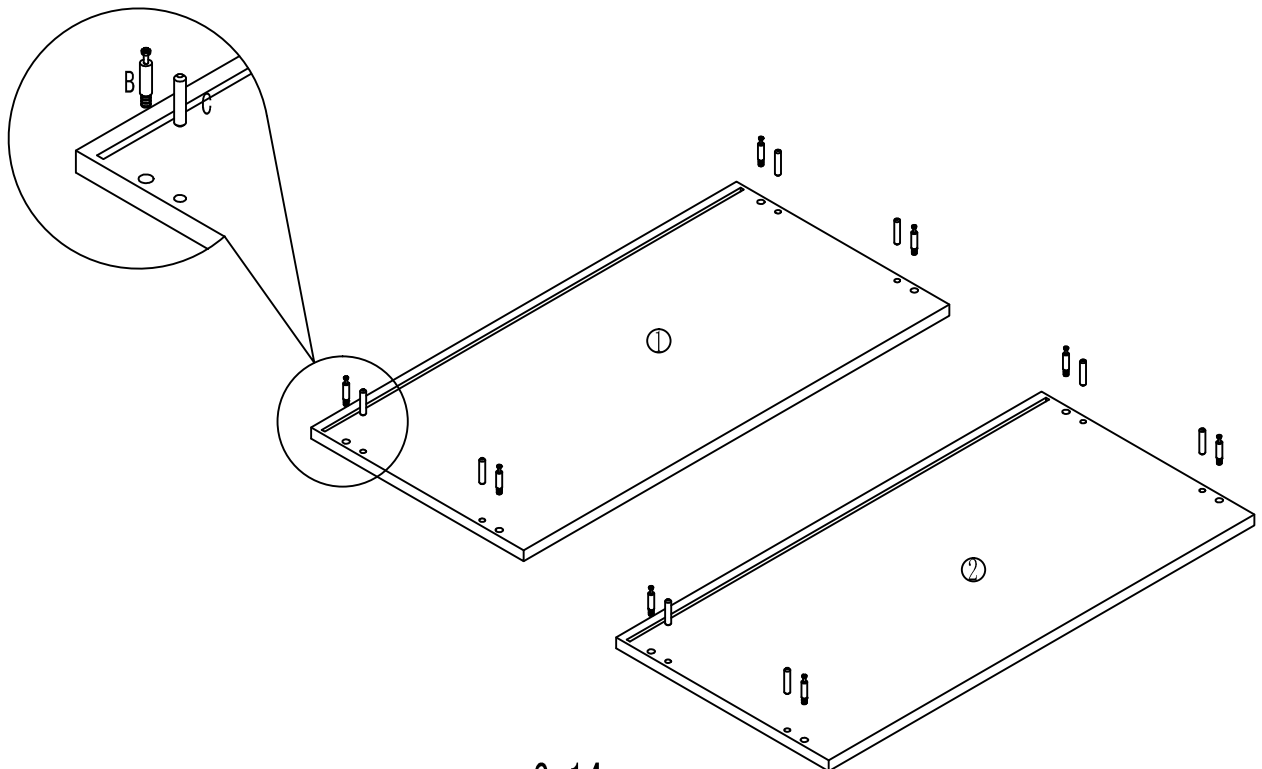
 φ 15x12 Ax16	 M6x35 Bx16	 φ 8x40 Cx16	 M6x15 Dx16
 70x70x20 Ex4	 φ38x190 Fx4	 350mm Gx2	 φ12x12 Hx8
 Ix1	 M6x24 Jx8	 M3. 5x15 Kx24	 Lx12
 Mx1	 Nx8	 Ox1	 M6 Px16
 φ16xM6x1.5 Qx16	 5# Rx1		



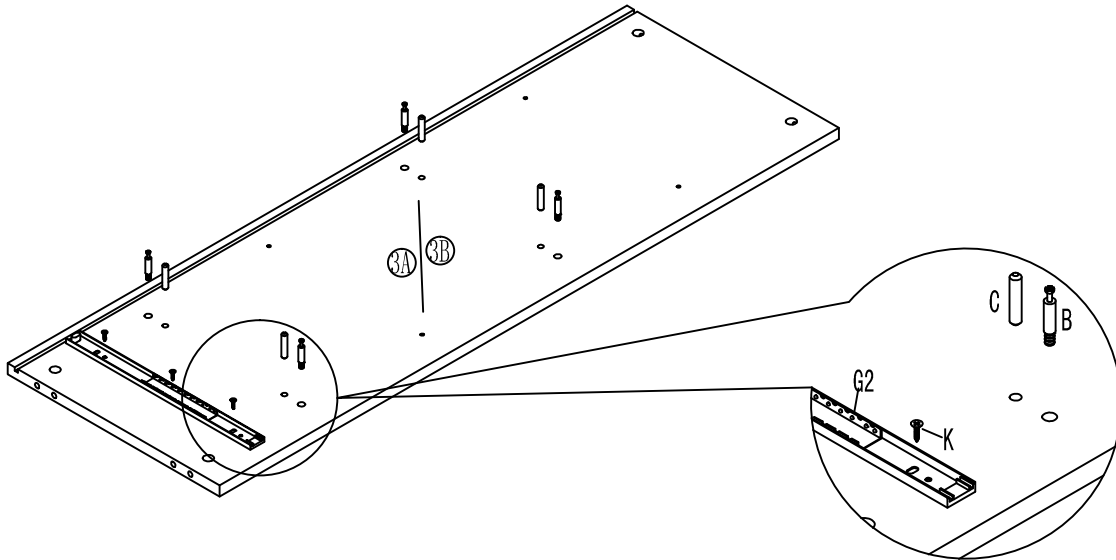
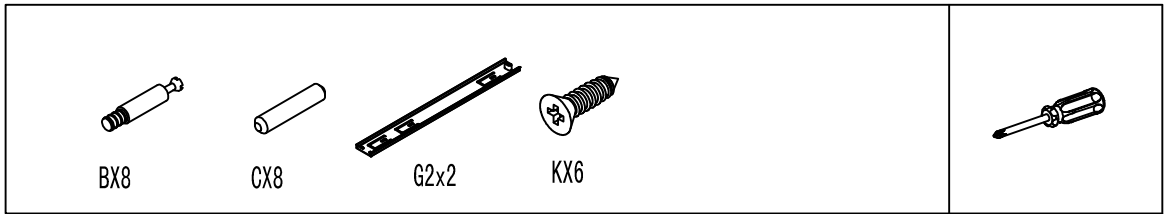
1



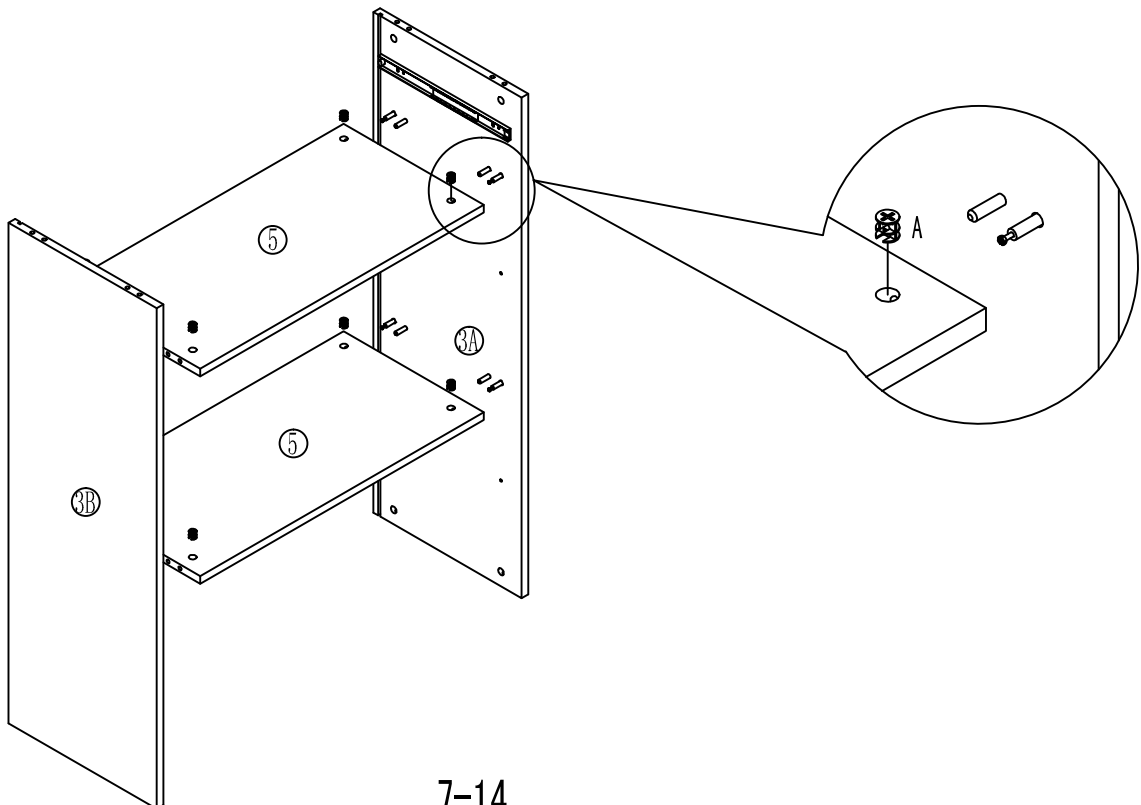
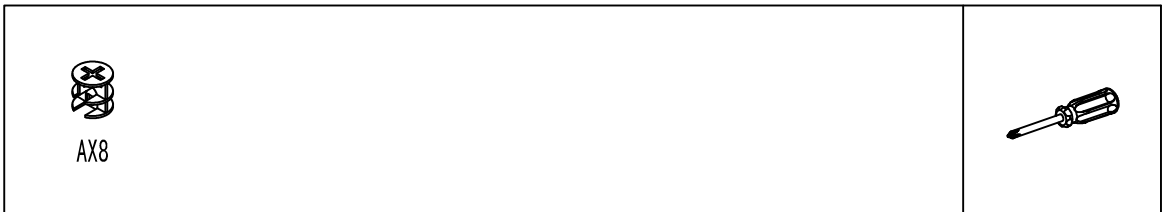
2



3



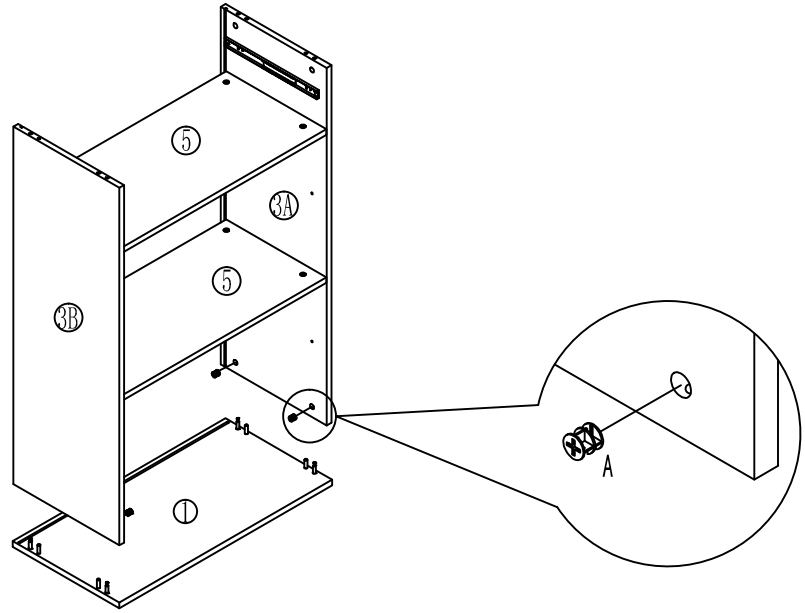
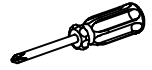
4



5



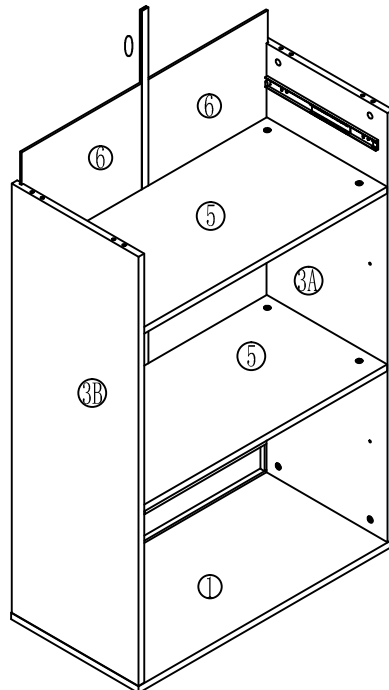
AX4



6



OX1

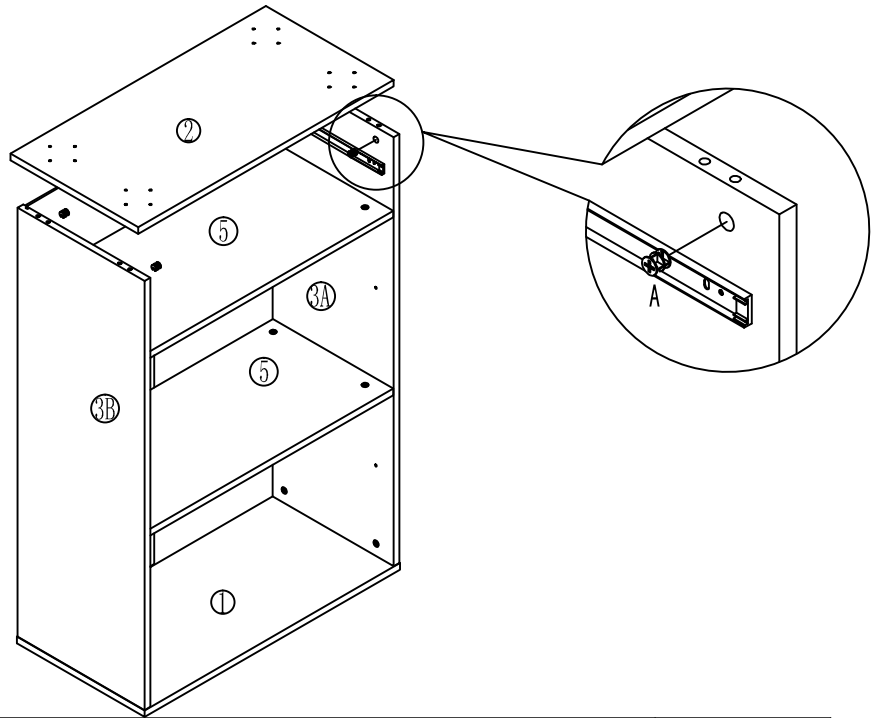


8-14

7



AX4



8



Dx16



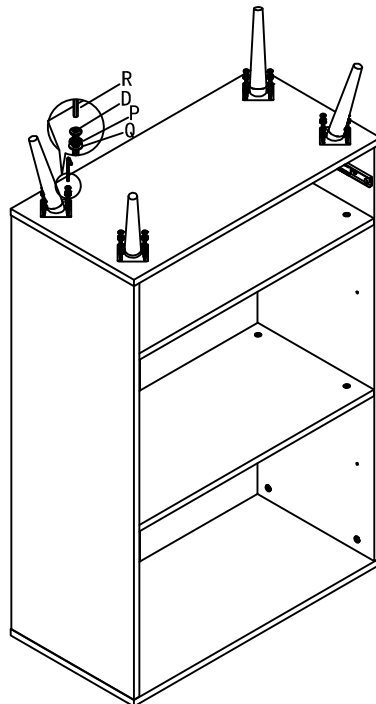
Px16



Qx16



Rx1



9-14

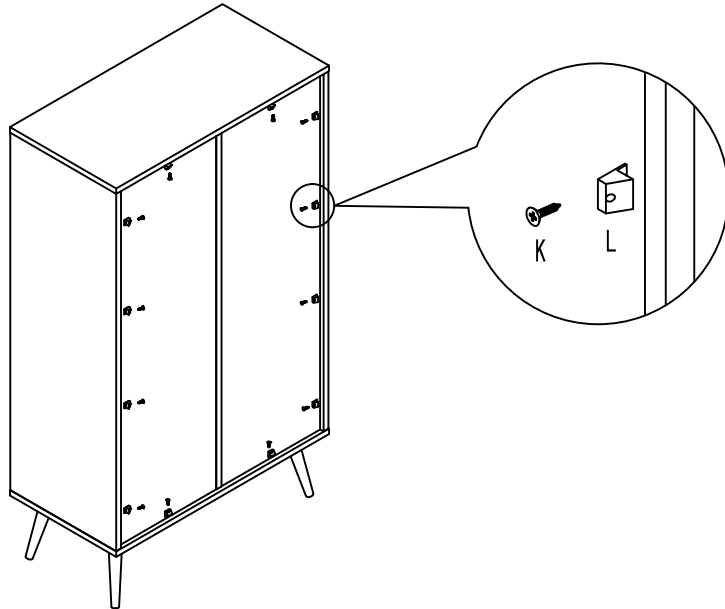
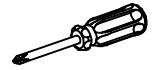
9



KX12



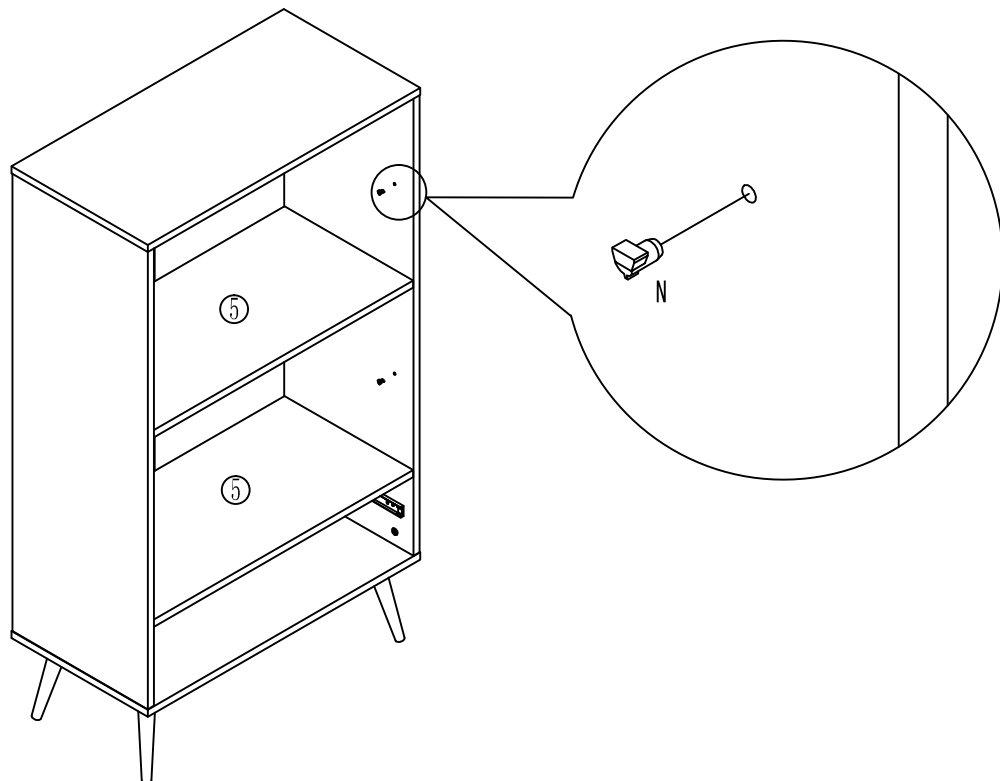
LX12



10



NX8

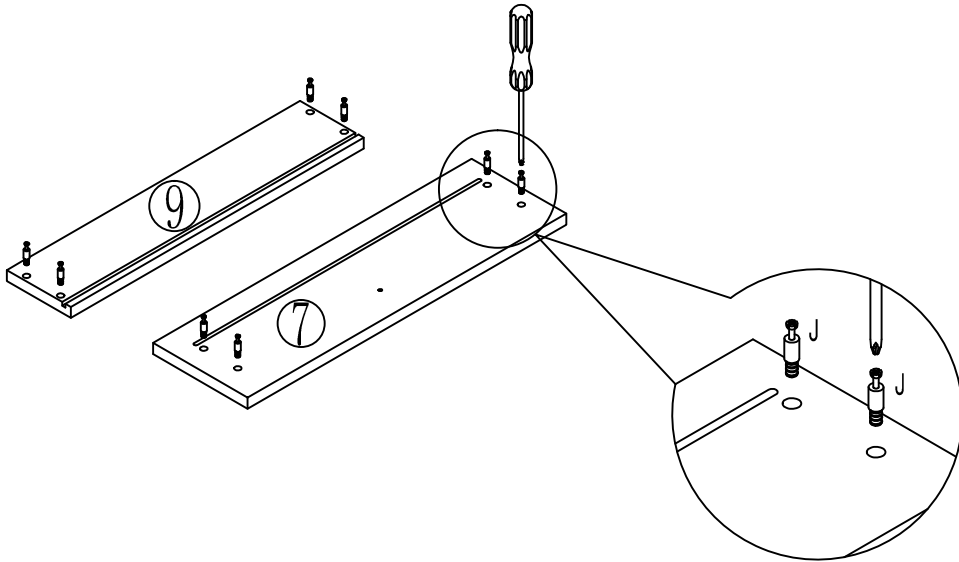
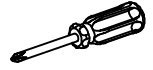


10-14

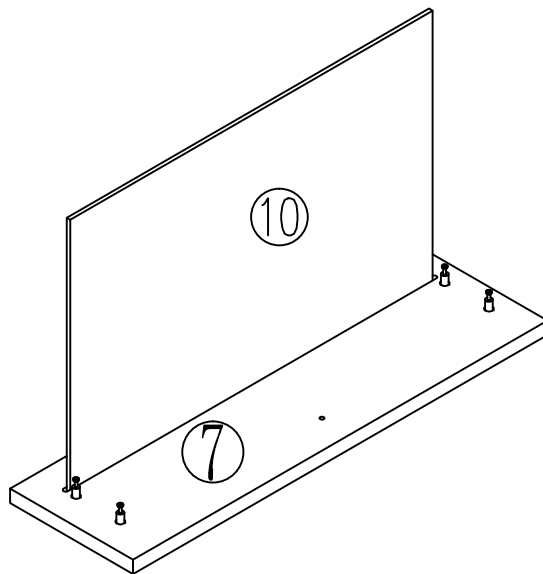
11



JX8



12

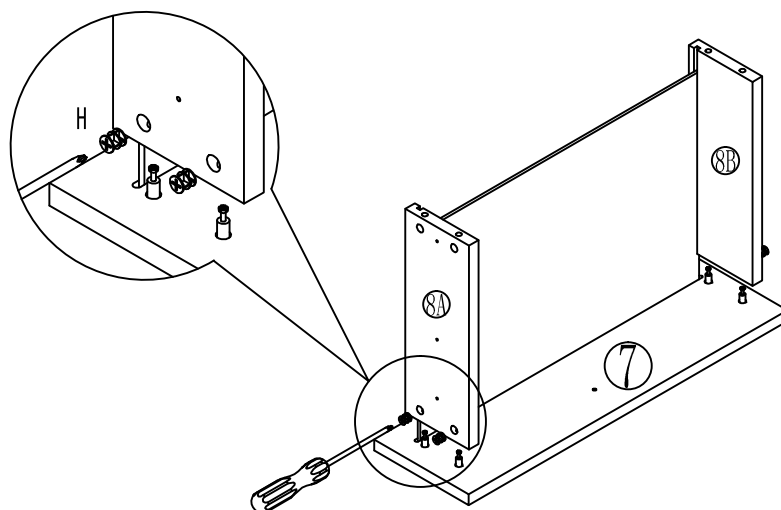
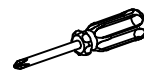


11-14

13



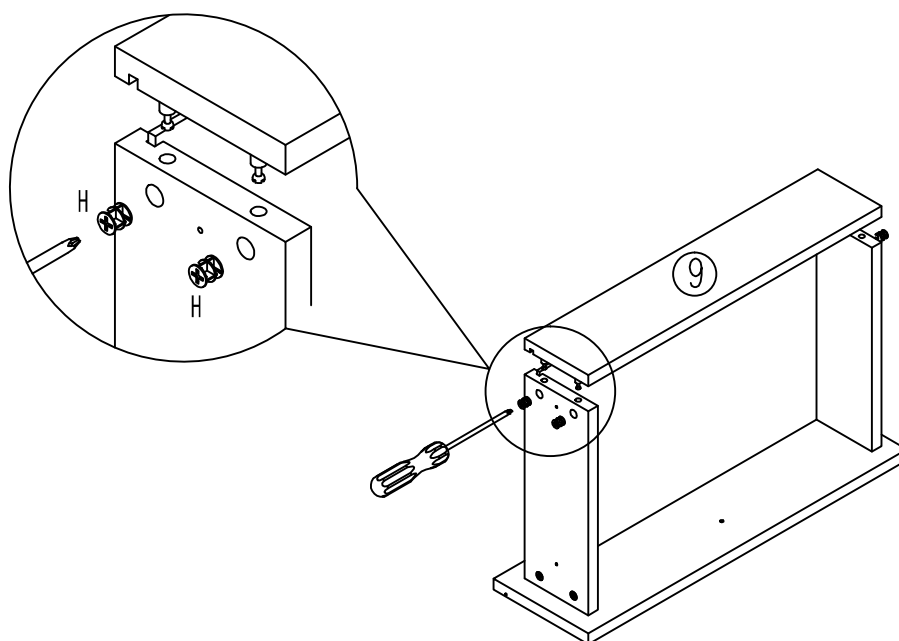
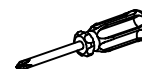
HX4



14

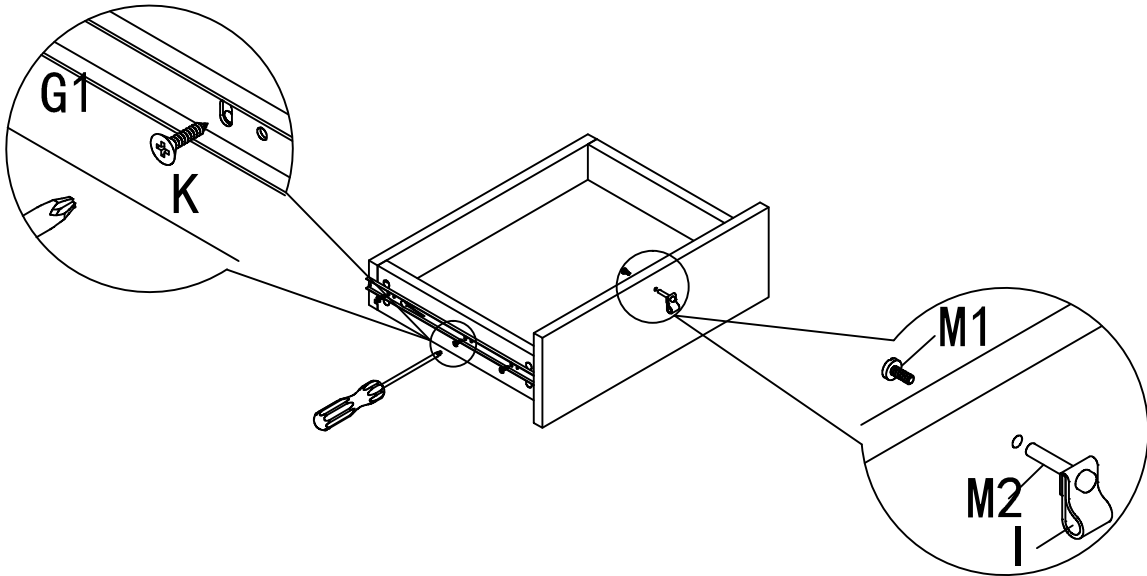
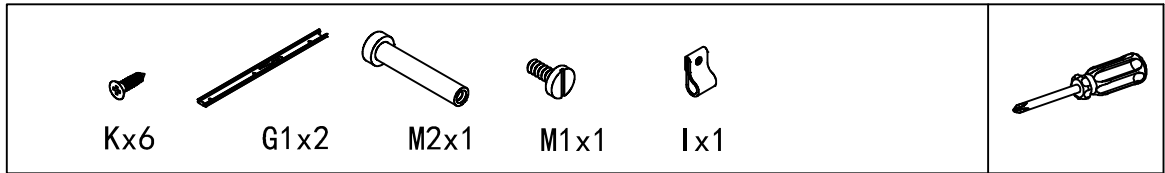


HX4

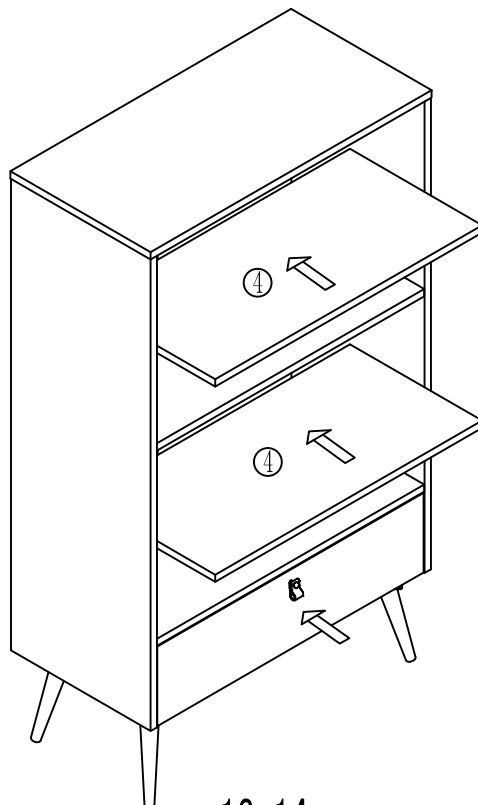


12-14

15



16



13-14

17

