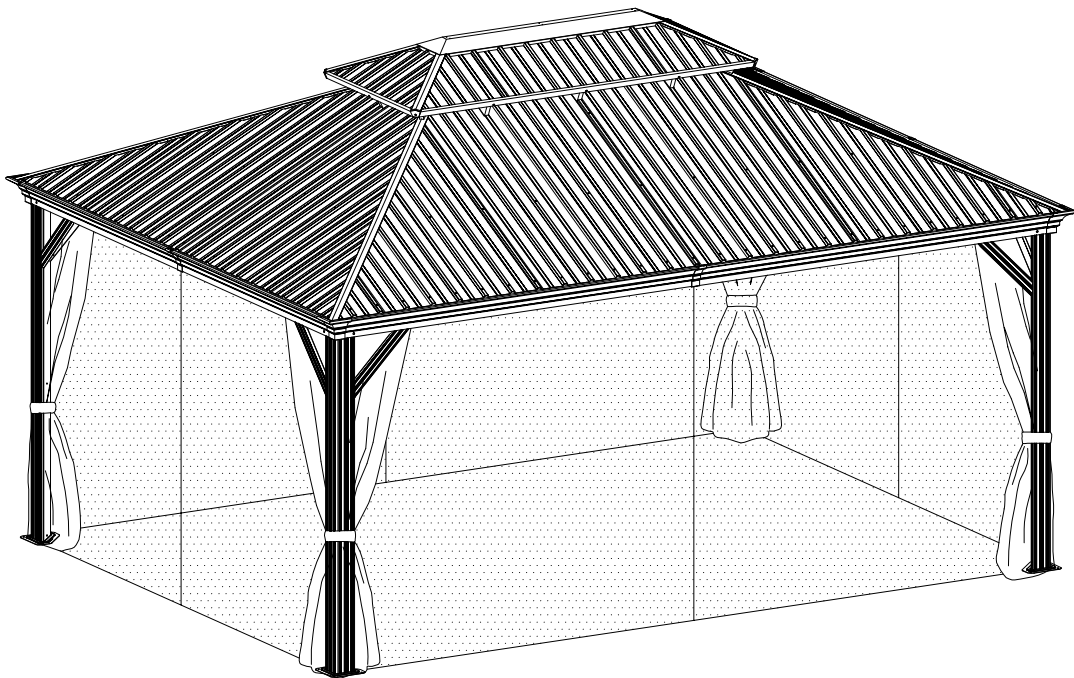


3.65 x 4.85 M

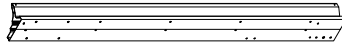


YS 9009

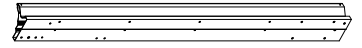




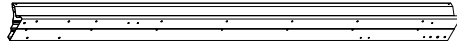
A 4x



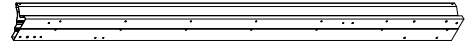
B 2x



B1 2x



B2 2x



B3 2x



C 2x



C1 2x



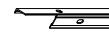
C2 2x



C3 2x



D 2x



D1 2x



D2 2x



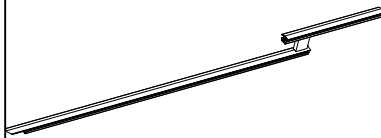
D3 2x



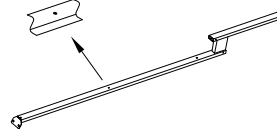
D4 2x



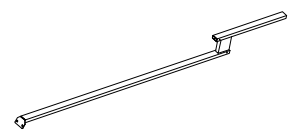
D5 2x



E 4x



E1 4x



E2 4x



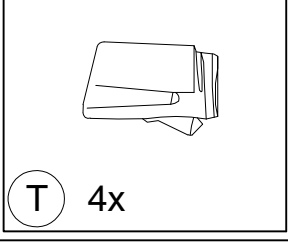
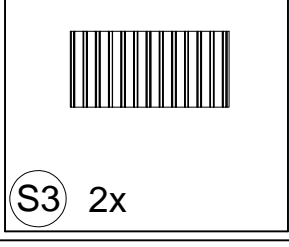
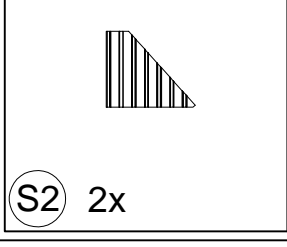
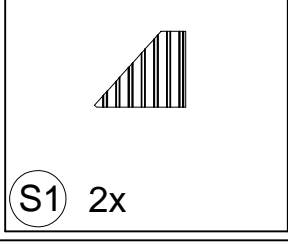
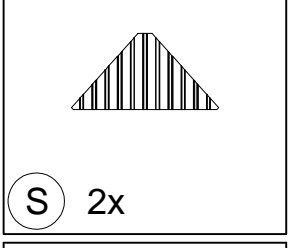
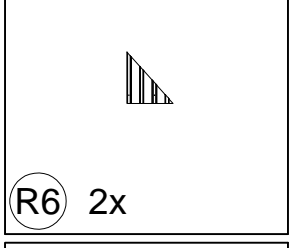
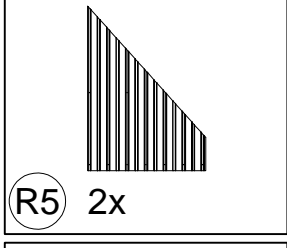
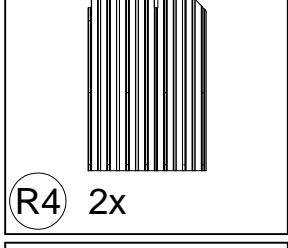
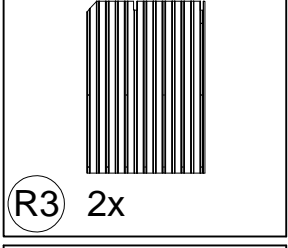
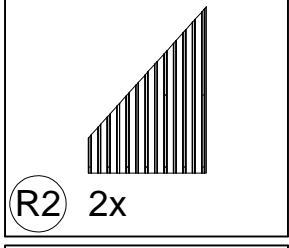
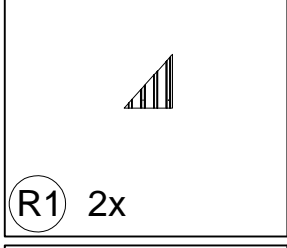
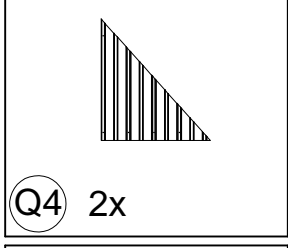
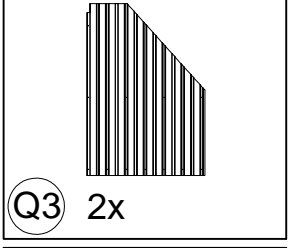
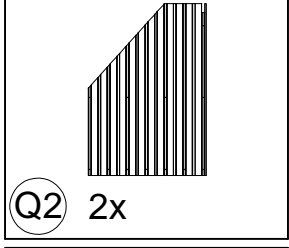
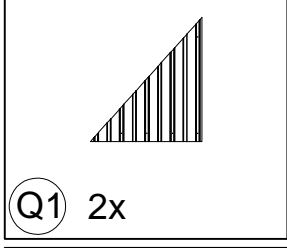
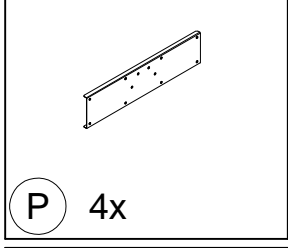
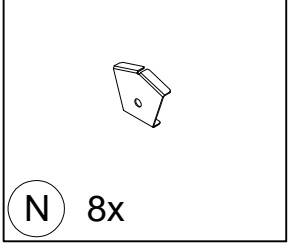
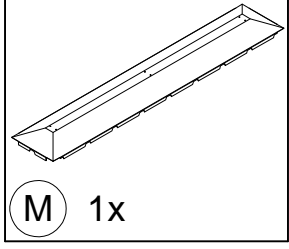
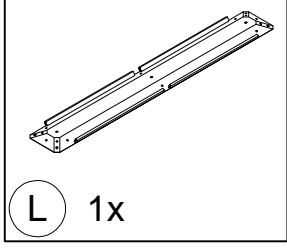
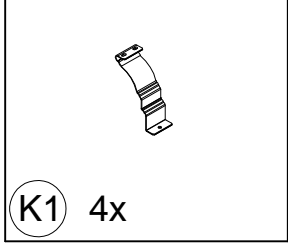
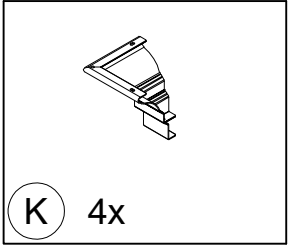
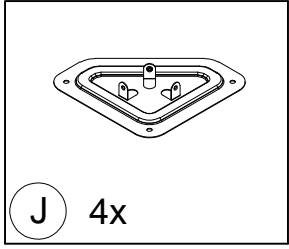
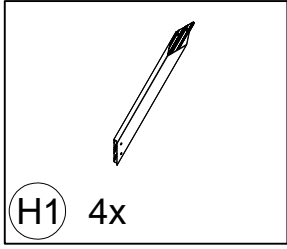
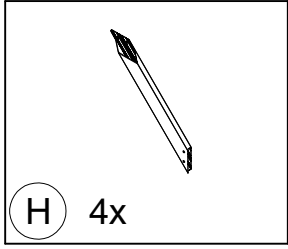
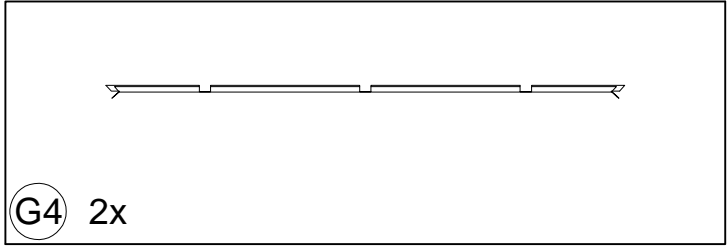
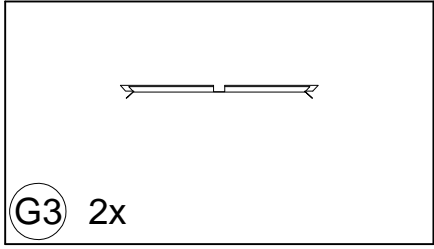
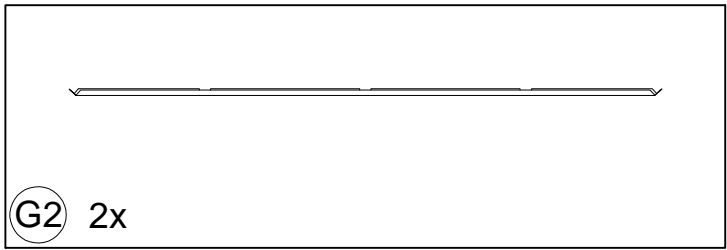
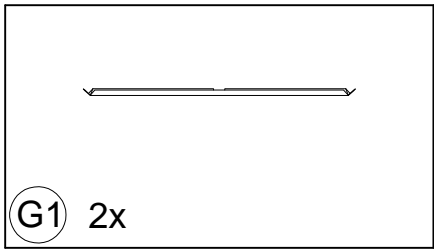
F 2x

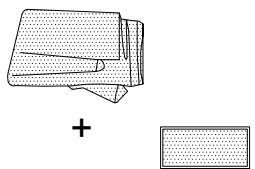

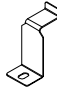
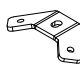
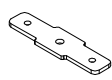
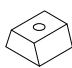
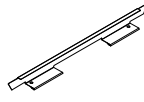
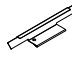

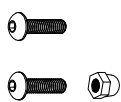





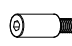



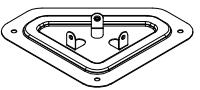

F1 4x






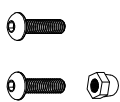

F2 4x

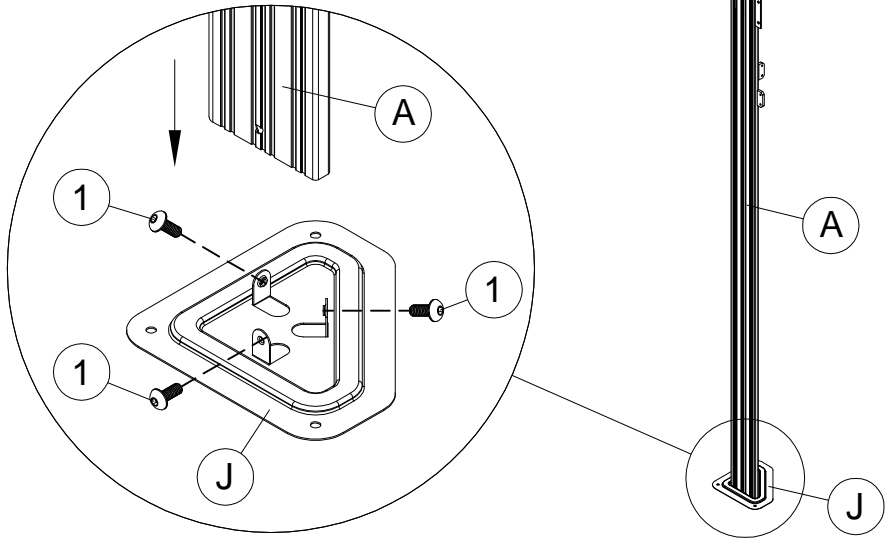


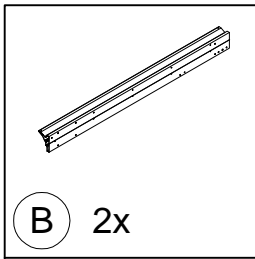
 + T1 4x + 1x	 U 128x	 V 4x	 W 4x
 W1 6x	 Y 128x	 Z 72x	 Z1 12x
 1 280x M6x15	 2 4x + 88x M6x23	 3 4x M5x12	 4 24x ST 4.8x12
 5 3x	 6 8x M6x42	 7 28x M6x47	 8 8x

 A 4x
 J 4x
 1 12x M6x15
4

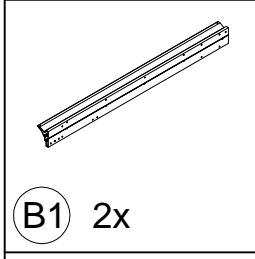
<1>

 9 12x
 7 28x M6x47
 3 4x M5x12
 2 4x + 88x M6x23
 1 280x M6x15

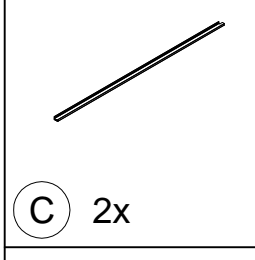




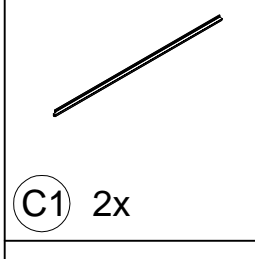
B 2x



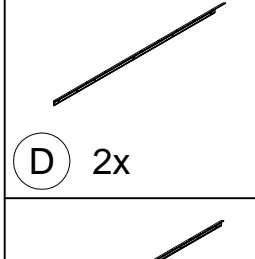
B1 2x



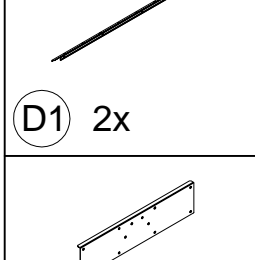
C 2x



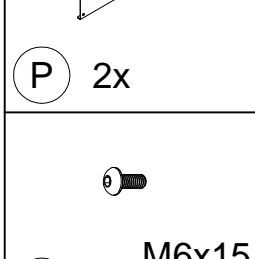
C1 2x



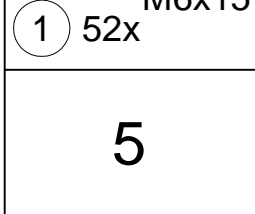
D 2x



D1 2x



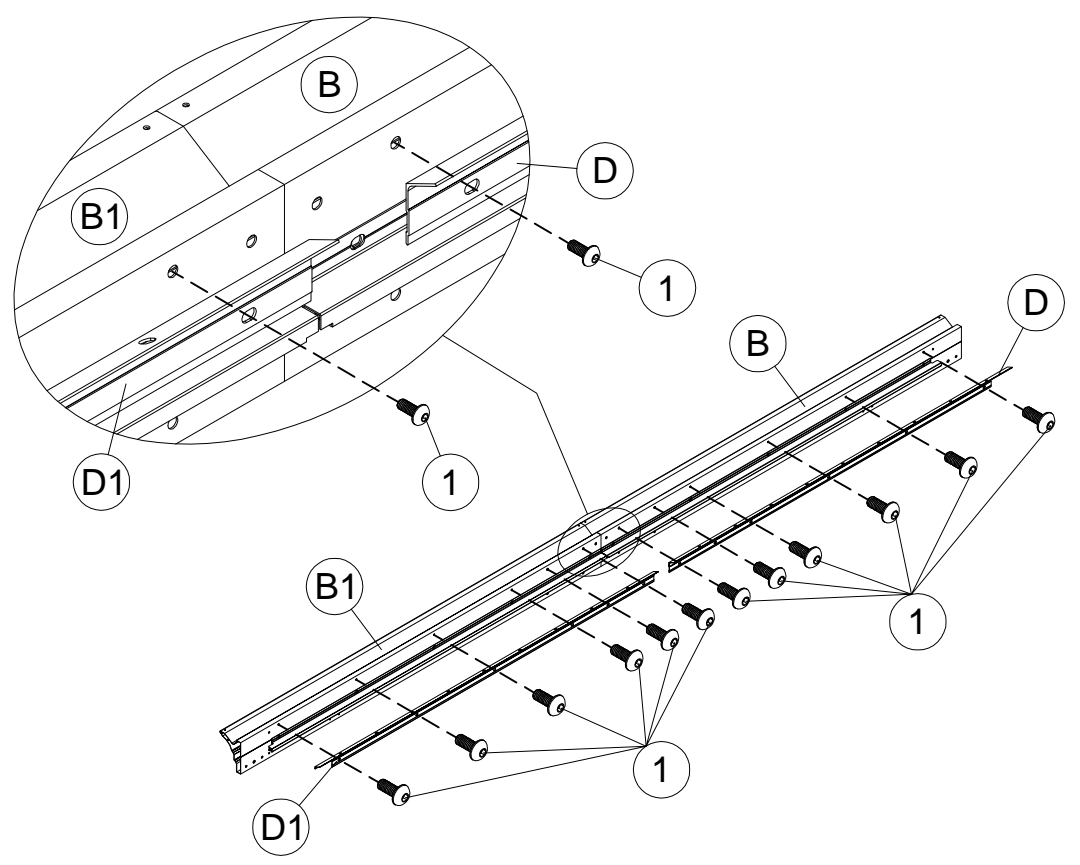
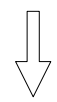
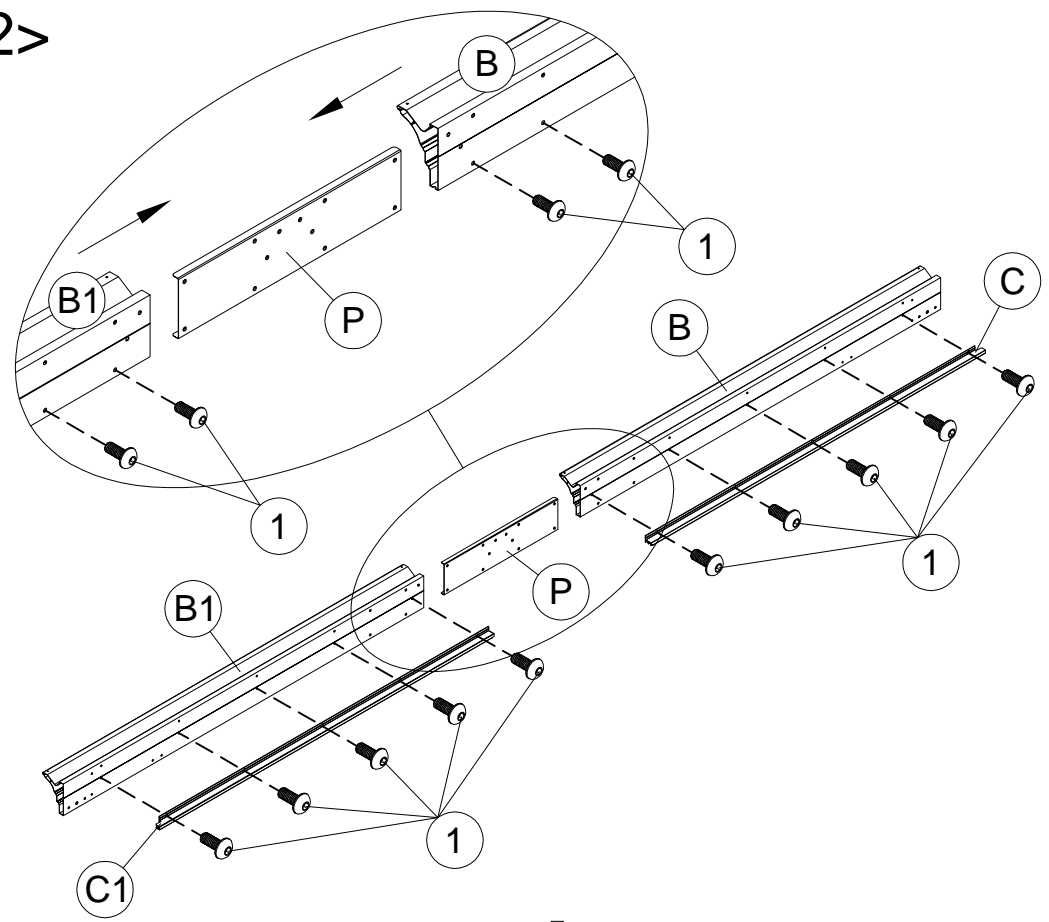
P 2x

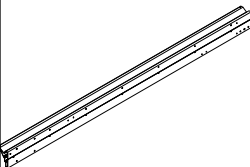
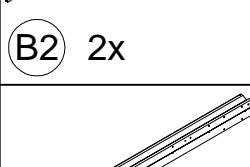
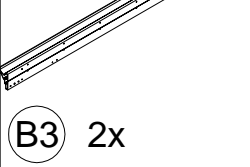
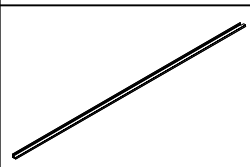
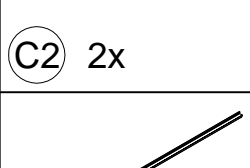
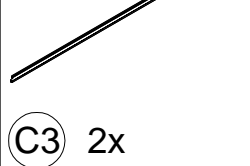
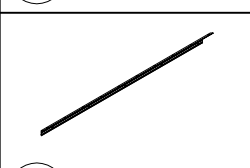
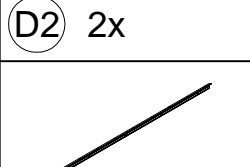


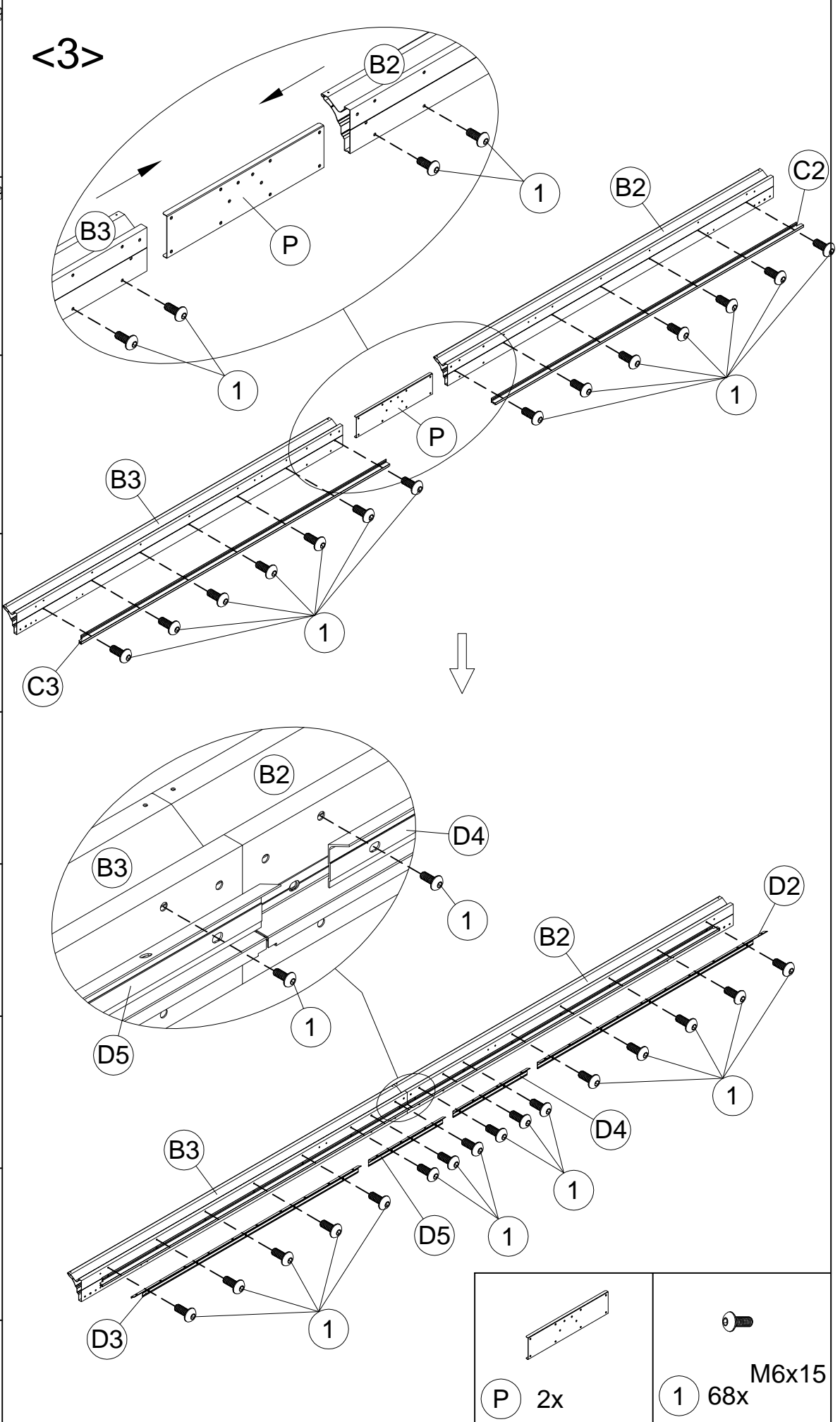
1 52x M6x15

5

<2>



-  **B2** 2x
-  **B3** 2x
-  **C2** 2x
-  **C3** 2x
-  **D2** 2x
-  **D3** 2x
-  **D4** 2x
-  **D5** 2x
- 6**



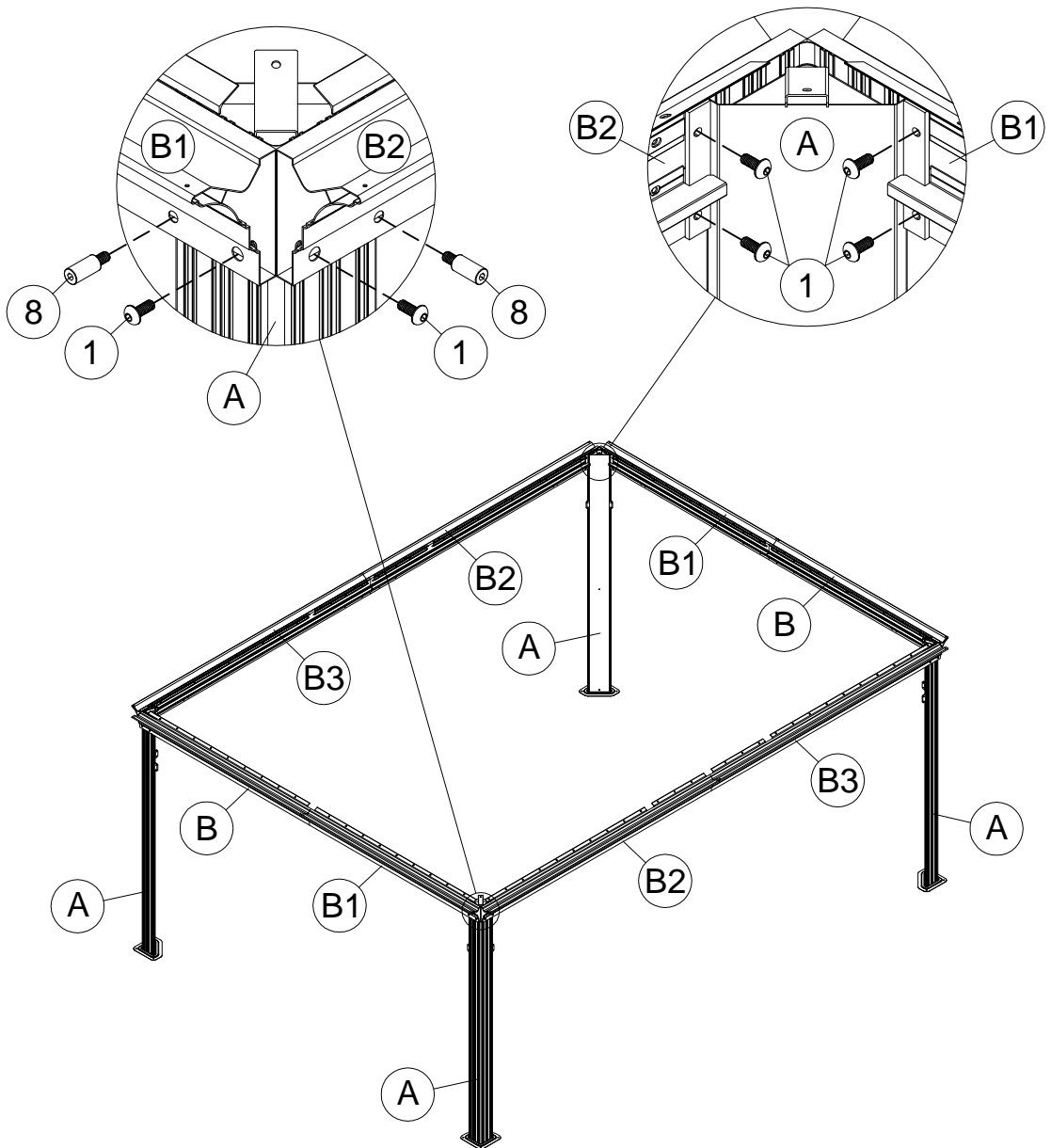


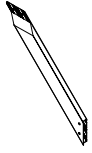
<4>

1 24x M6x15

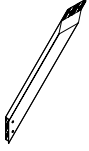


8 8x





(H) 4x

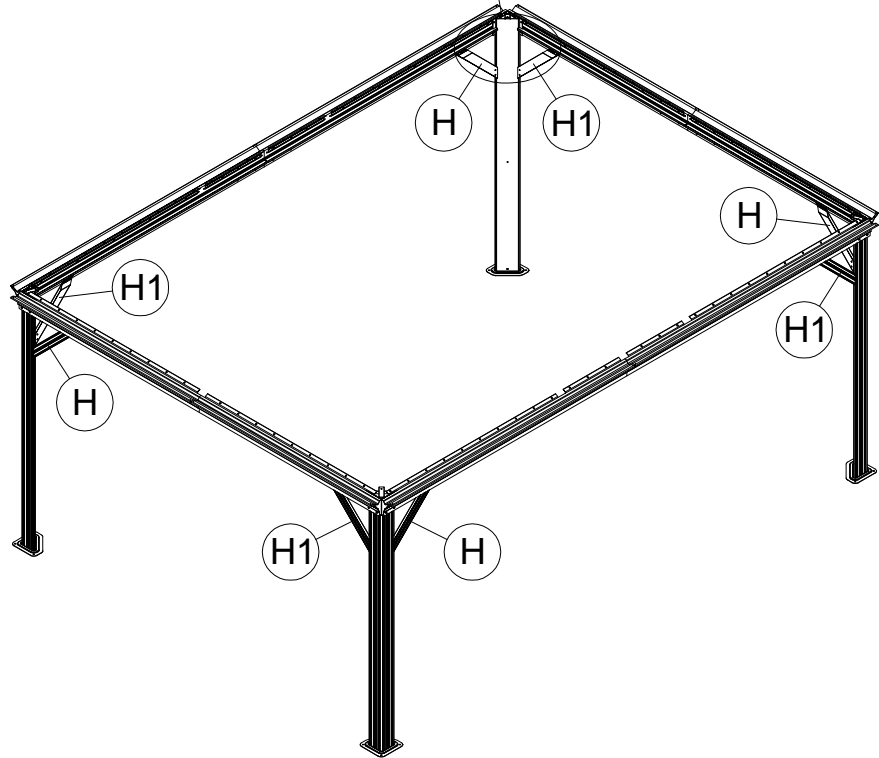
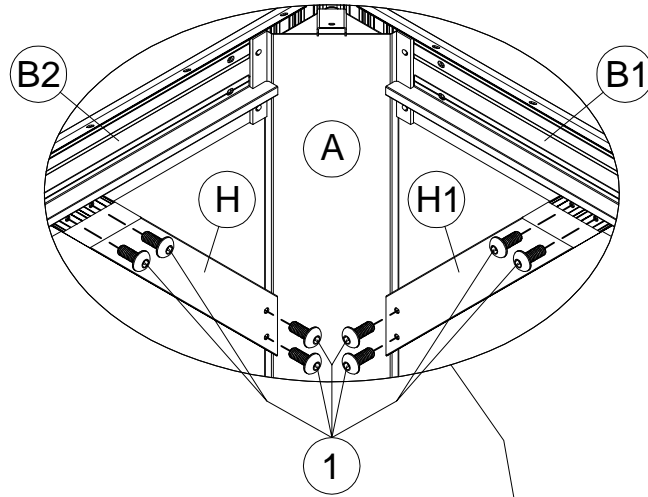


(H1) 4x

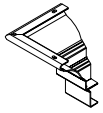


(1) 32x M6x15

<5>



<6>



K 4x



K1 4x



U 128x



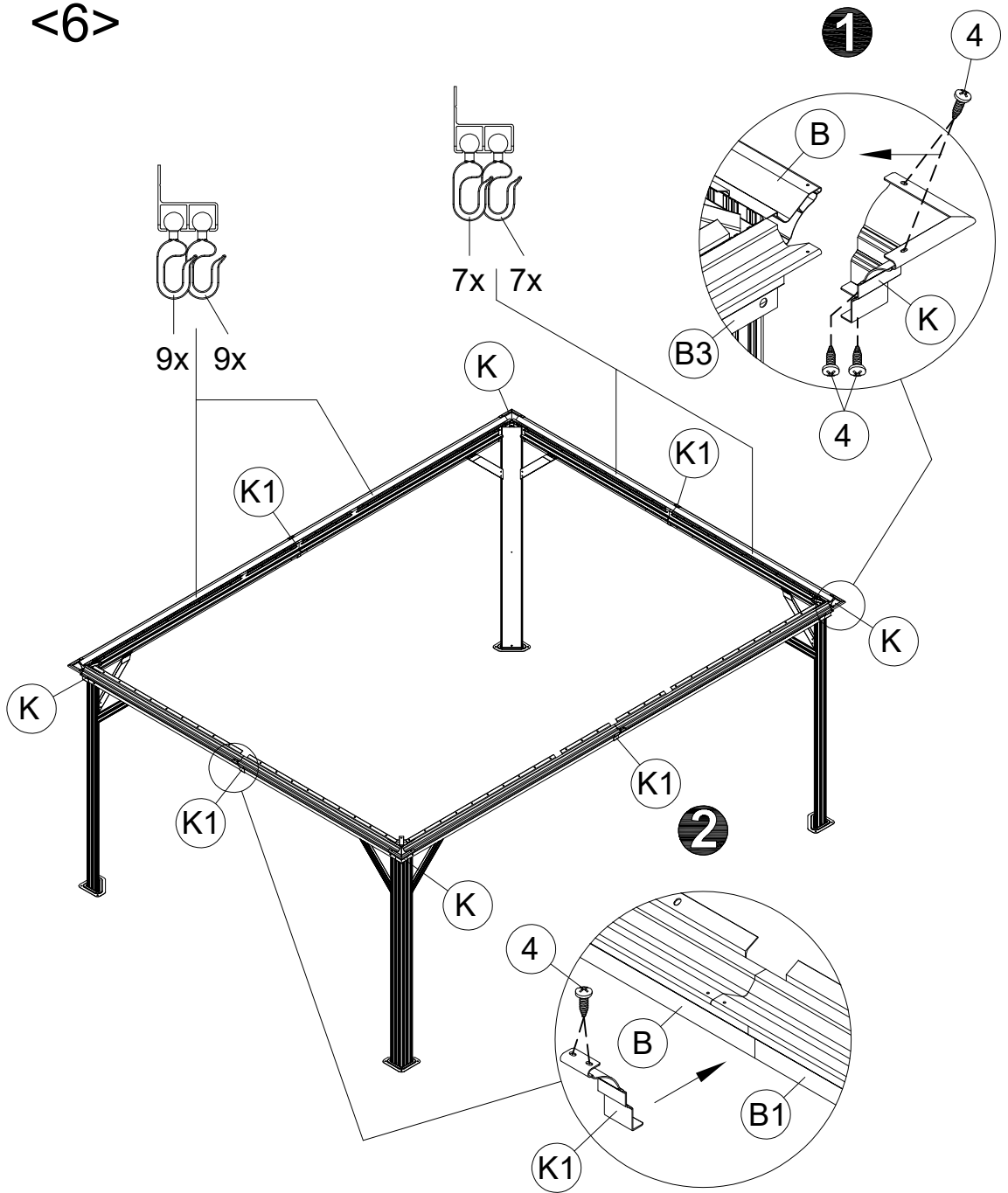
V 4x



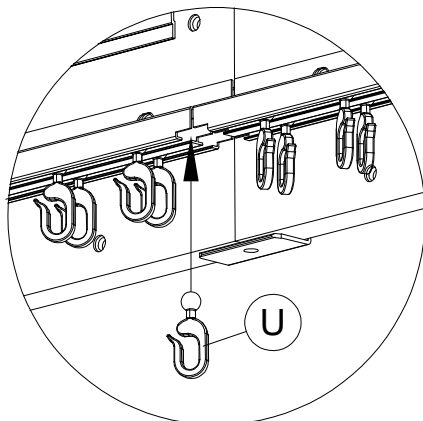
3 4x M5x12



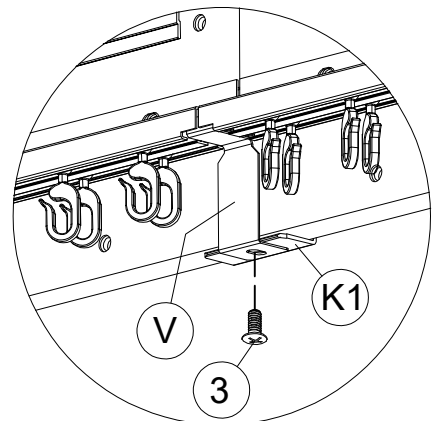
4 24x ST4.8x12




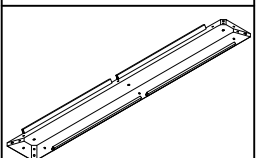
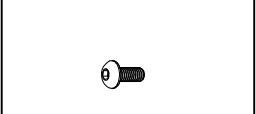
3

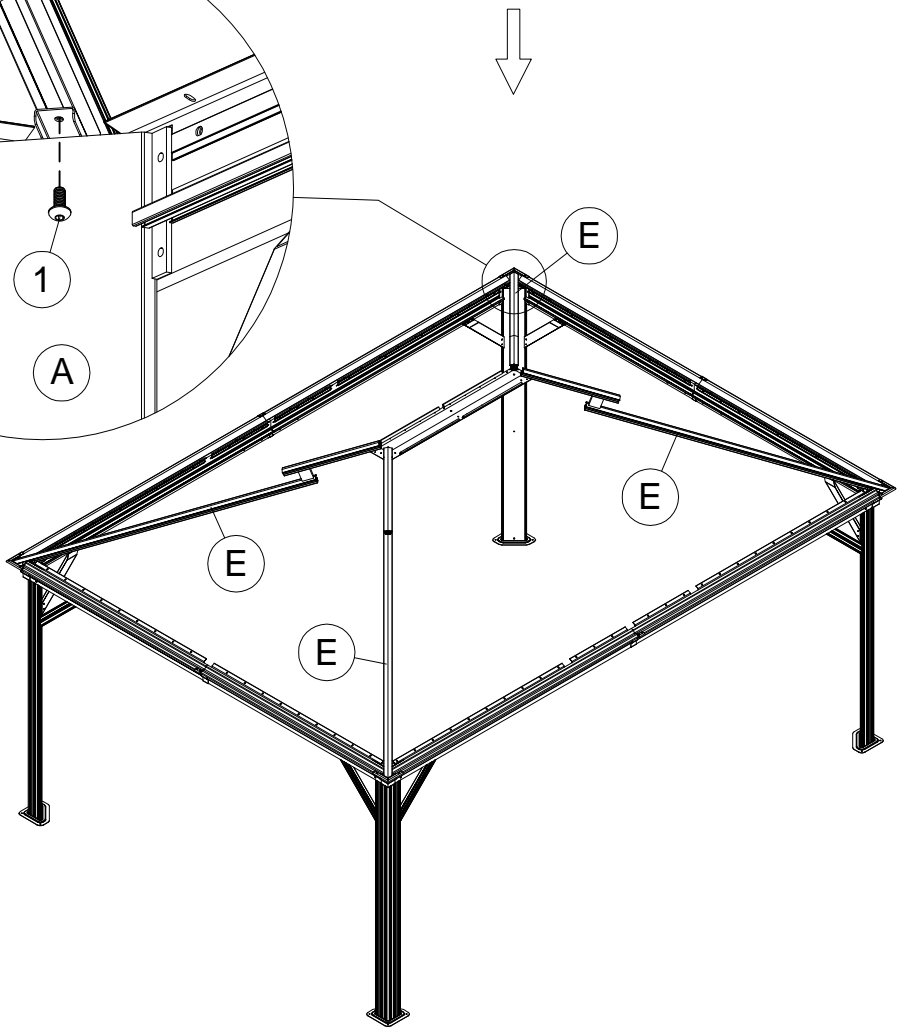
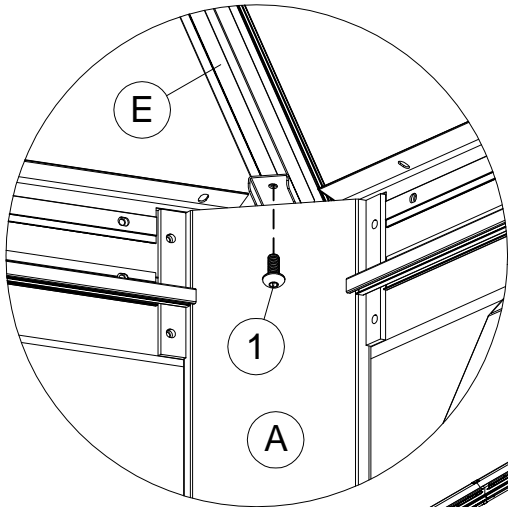
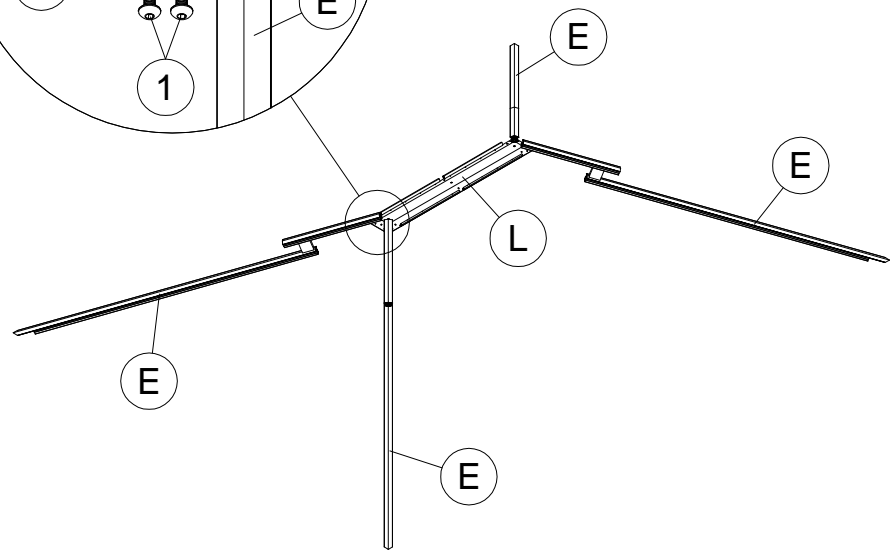
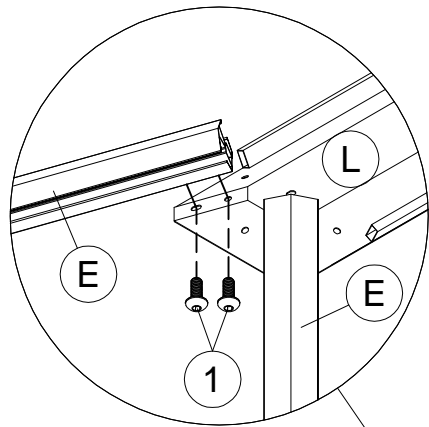


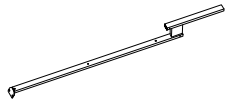
4



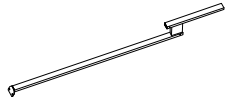
9

-  <7>
- E** 4x
-  **L** 1x
-  **1** 12x M6x15





E1 4x



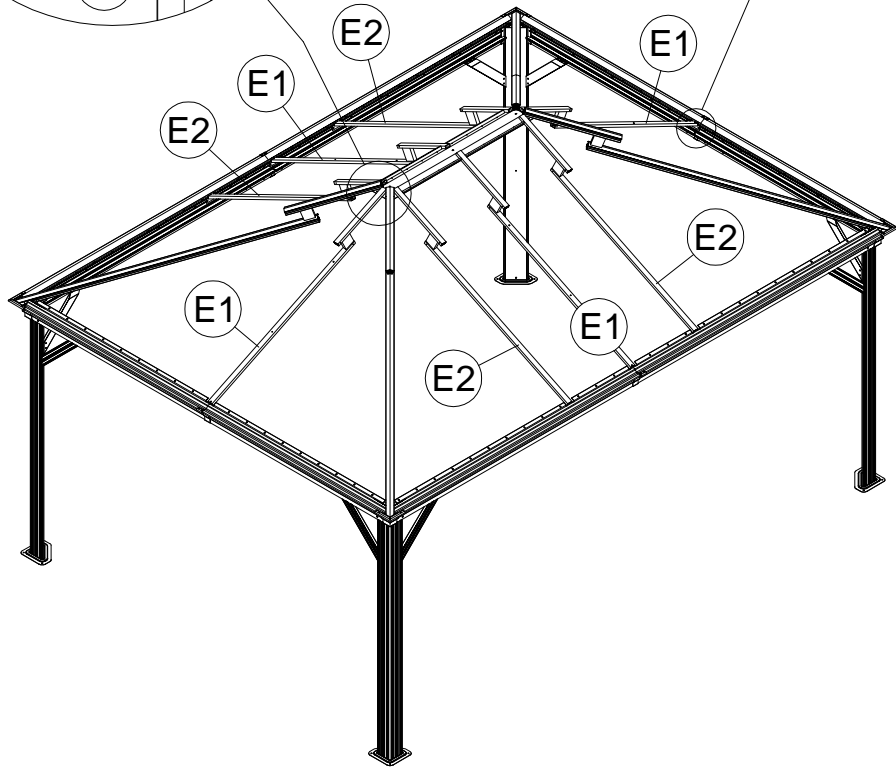
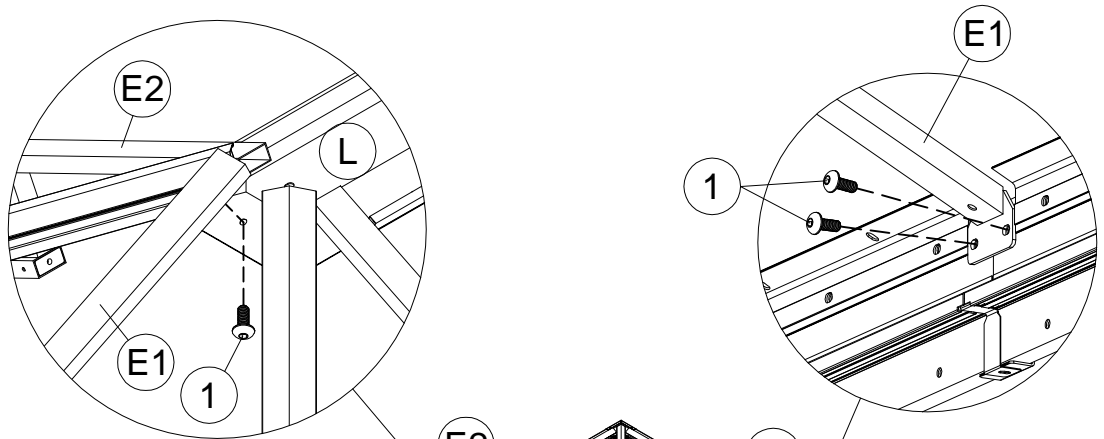
E2 4x

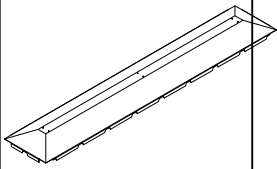


M6x15

1 24x

<8>



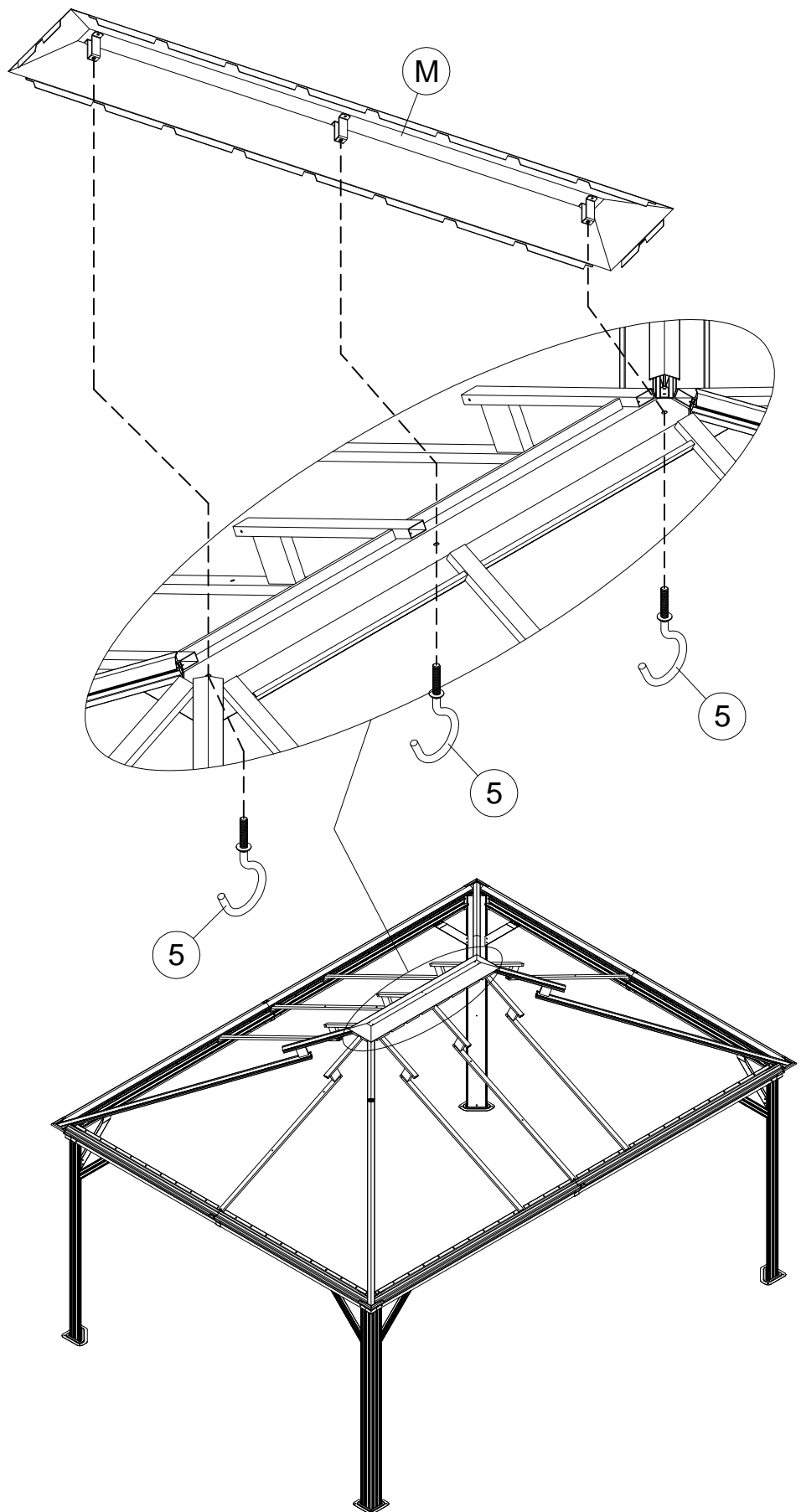


(M) 1x



(5) 3x

<9>





<10>

G3 2x

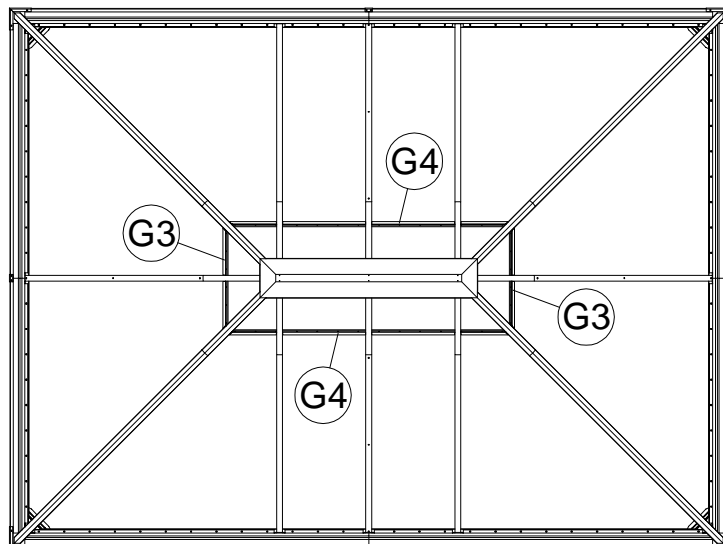
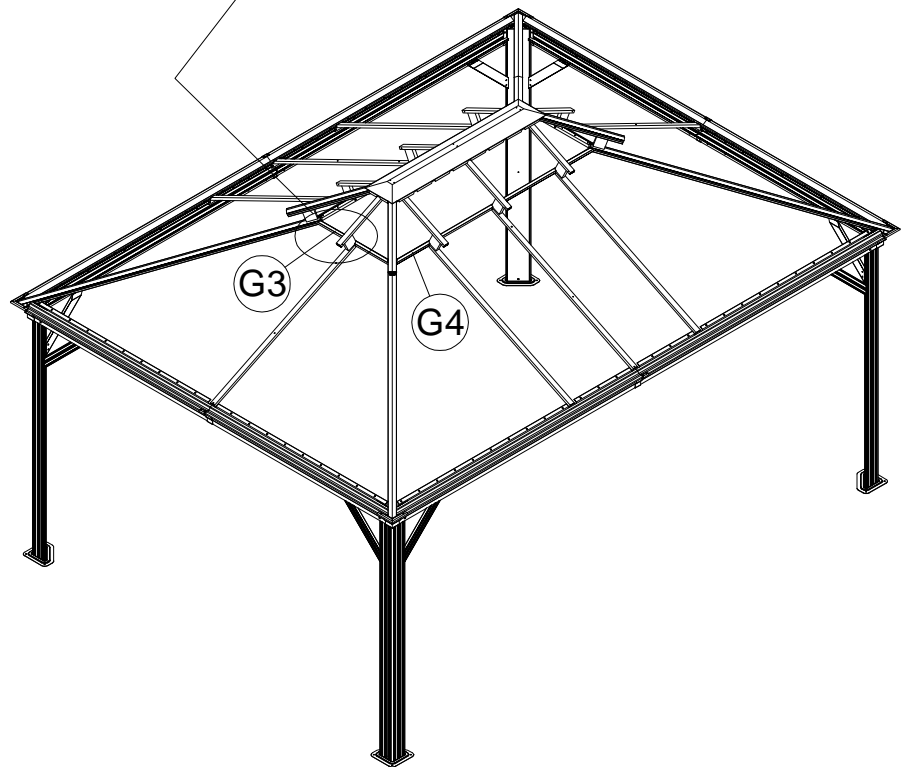
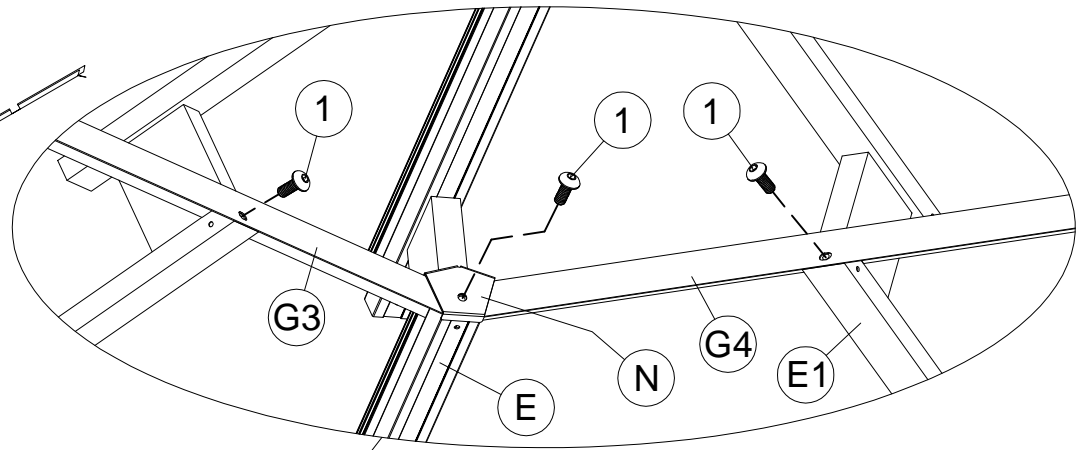
G4 2x



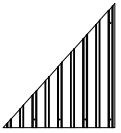
N 4x



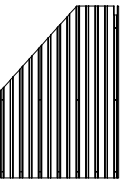
1 12x M6x15



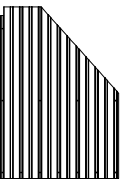
<11>



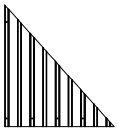
Q1 2x



Q2 2x



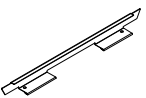
Q3 2x



Q4 2x



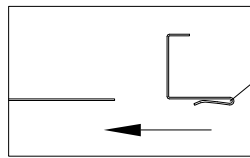
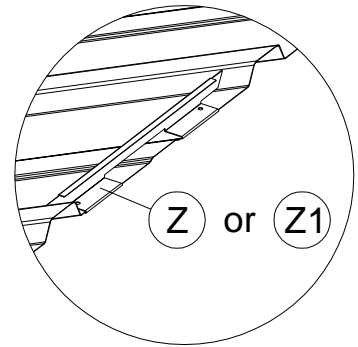
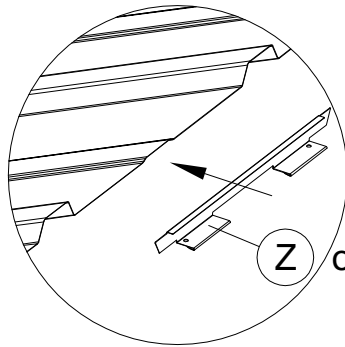
S 2x



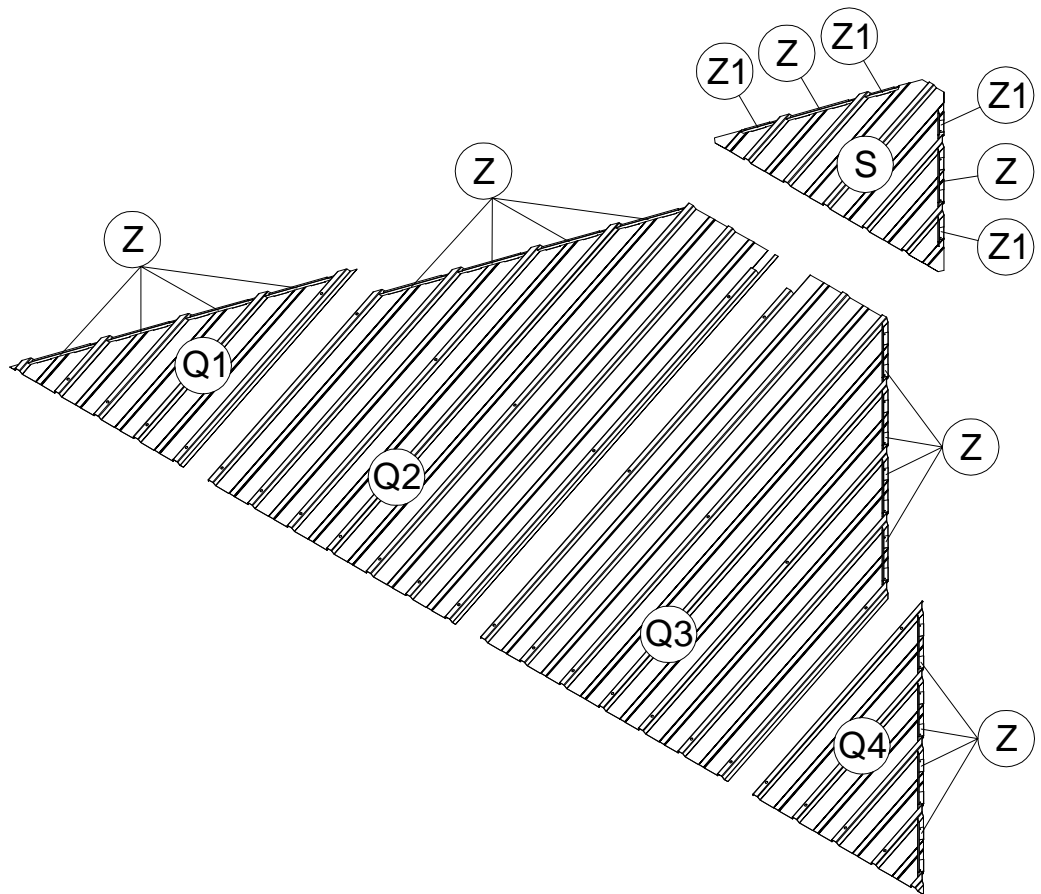
Z 36x



Z1 8x



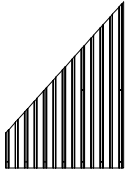
Z or Z1



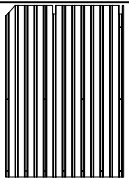
<12>



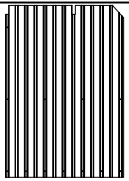
R1 2x



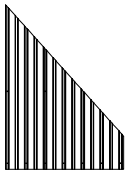
R2 2x



R3 2x



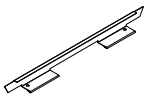
R4 2x



R5 2x



R6 2x

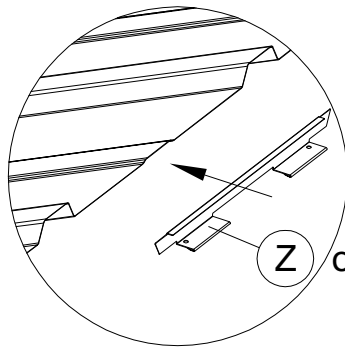


Z 36x

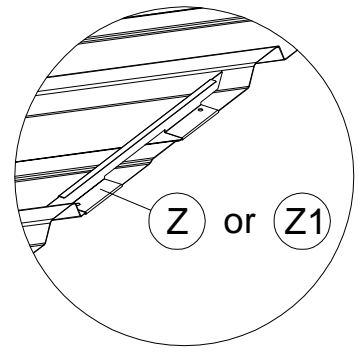


Z1 4x

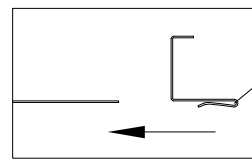
15



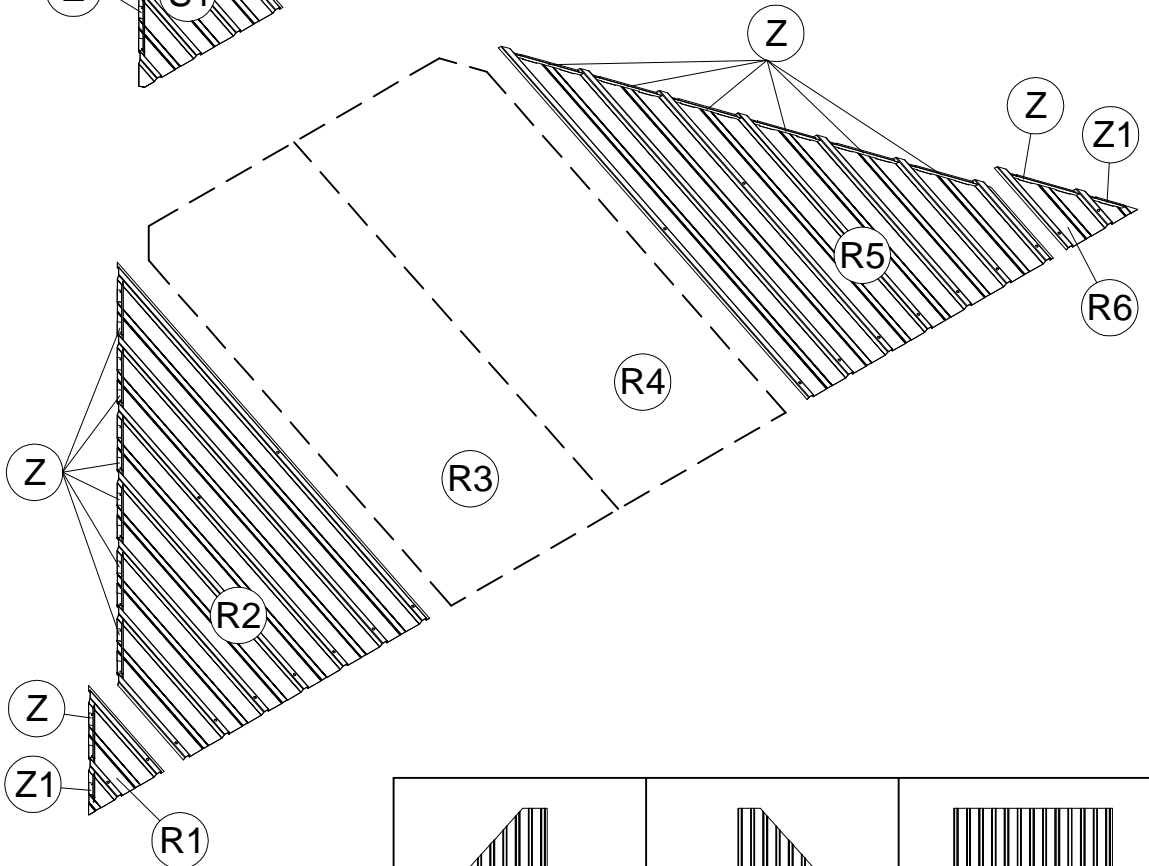
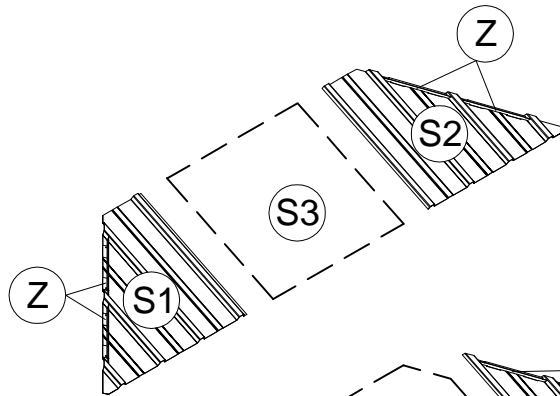
Z or Z1



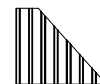
Z or Z1



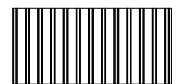
Z or Z1



S1 2x

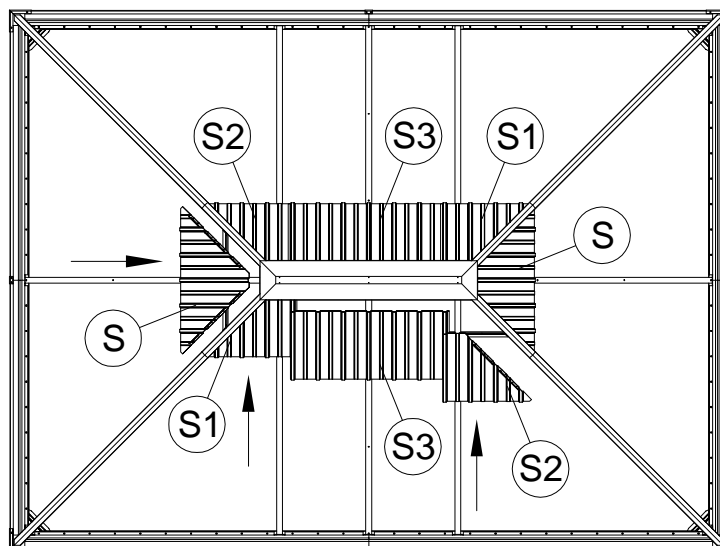
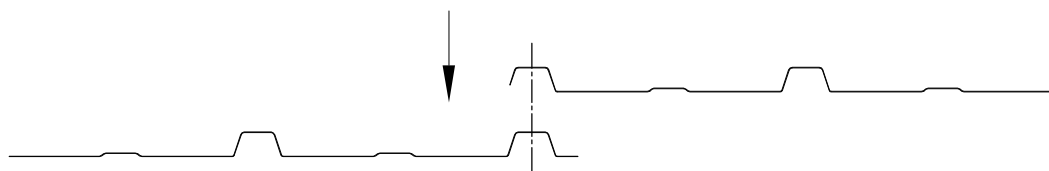
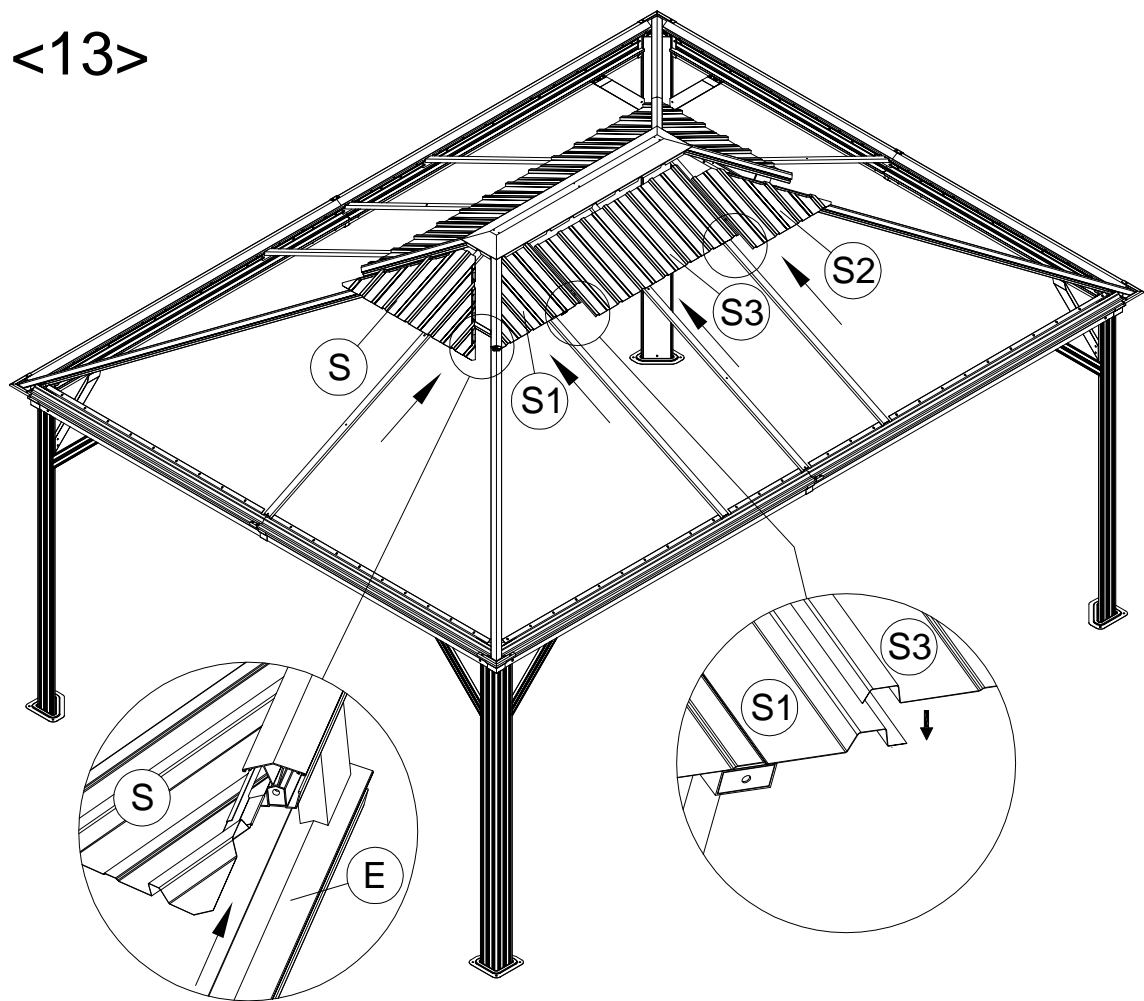


S2 2x



S3 2x

<13>



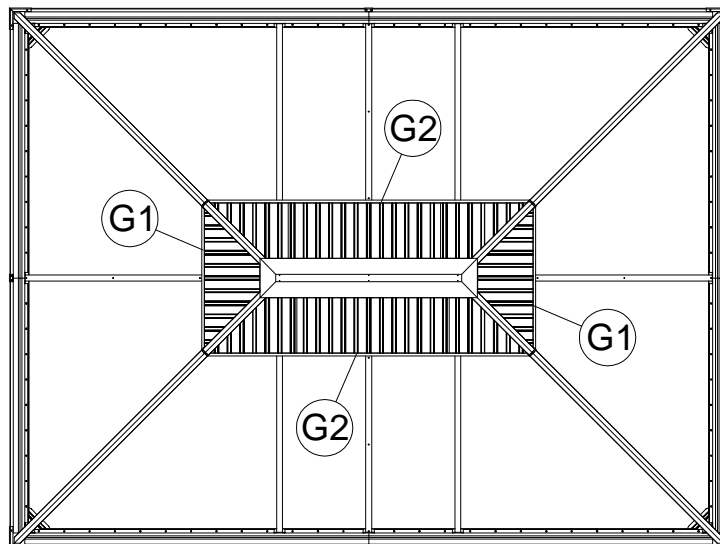
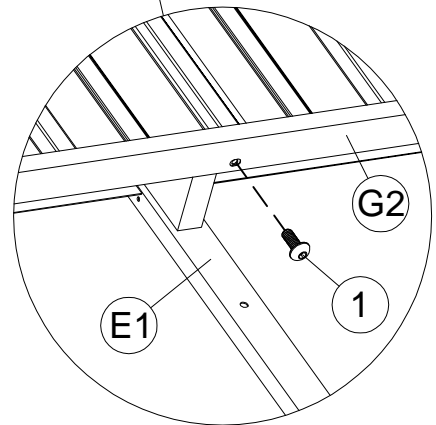
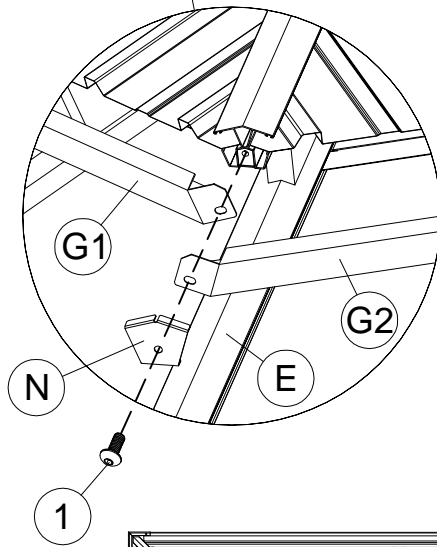
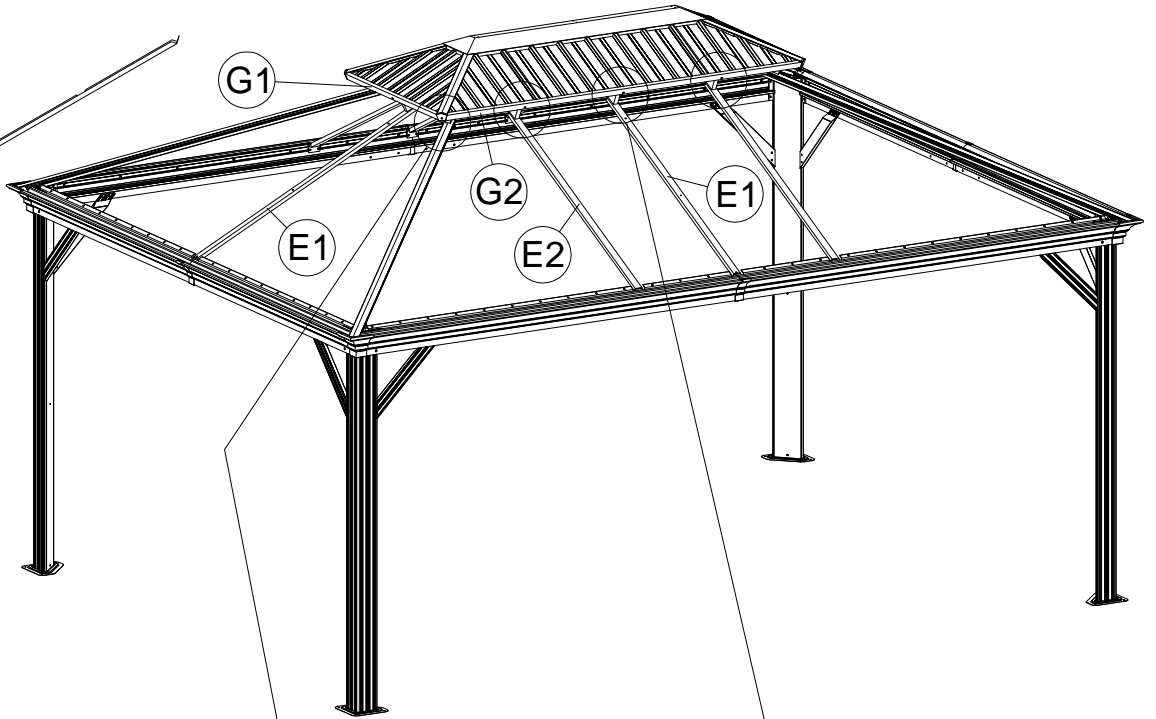
<14>

G1 2x

G2 2x

N 4x

1 12x M6x15



<15>

F 2x

F1 4x

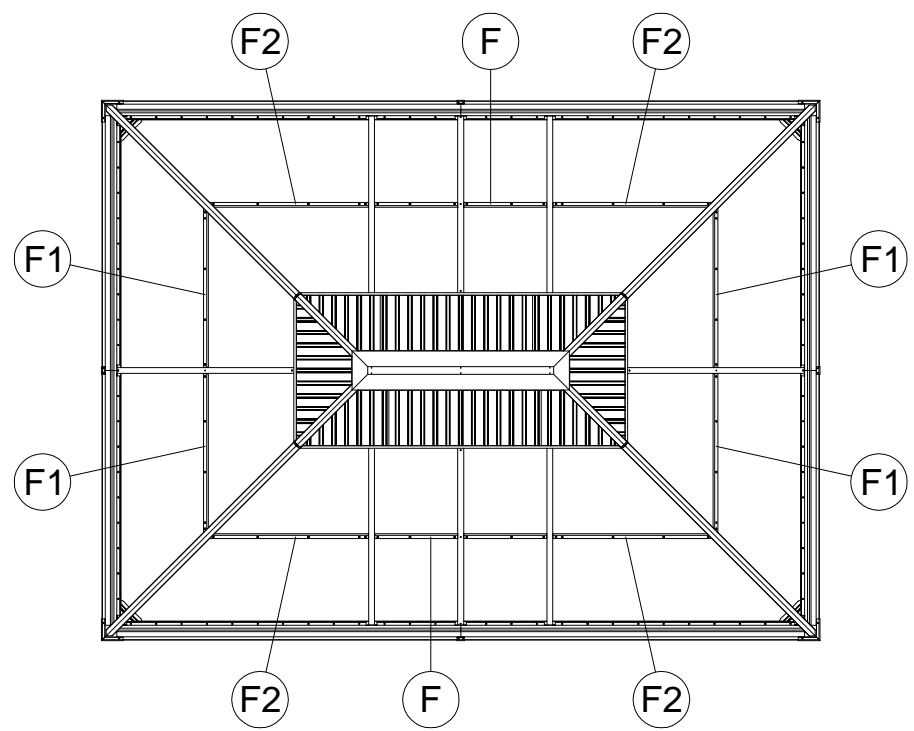
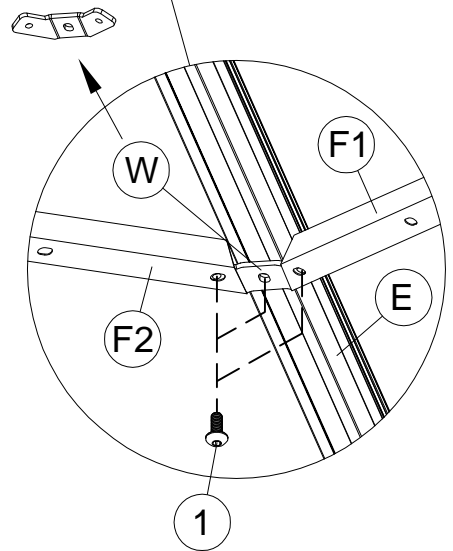
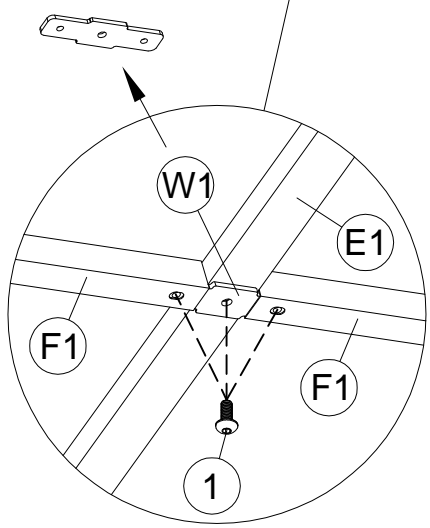
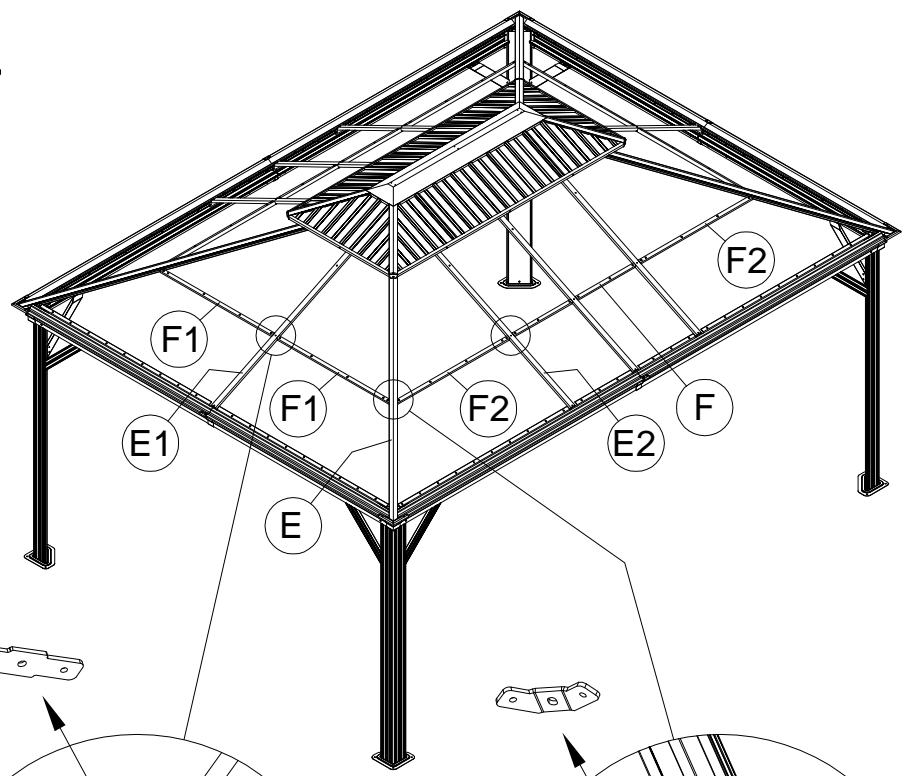
F2 4x

W 4x

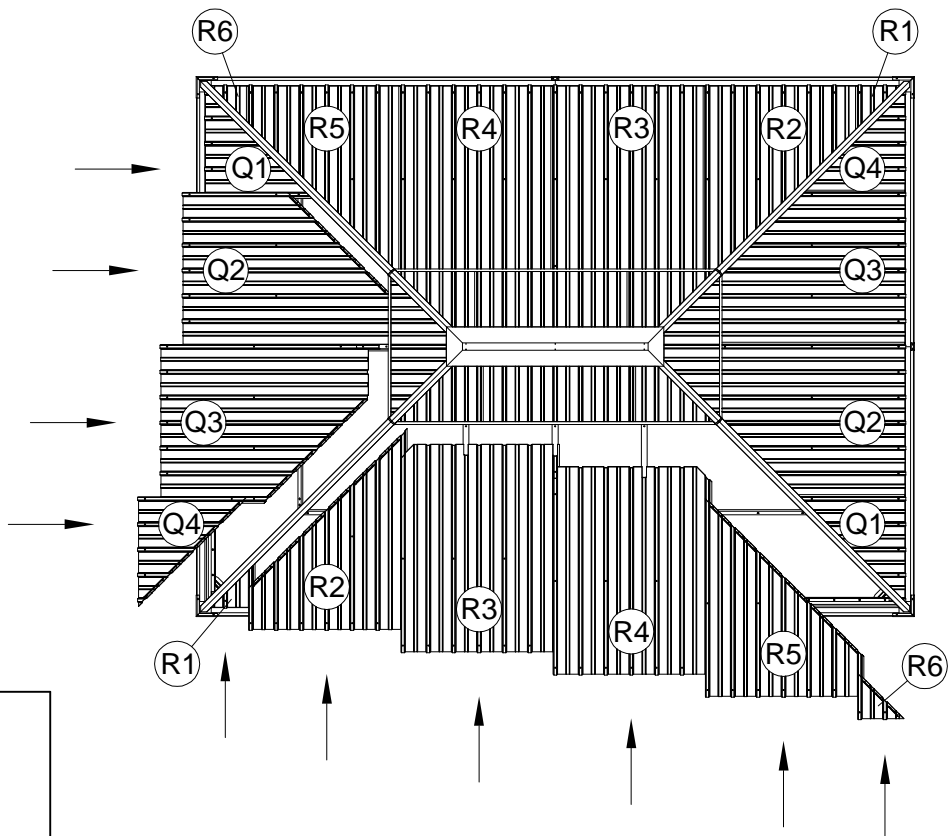
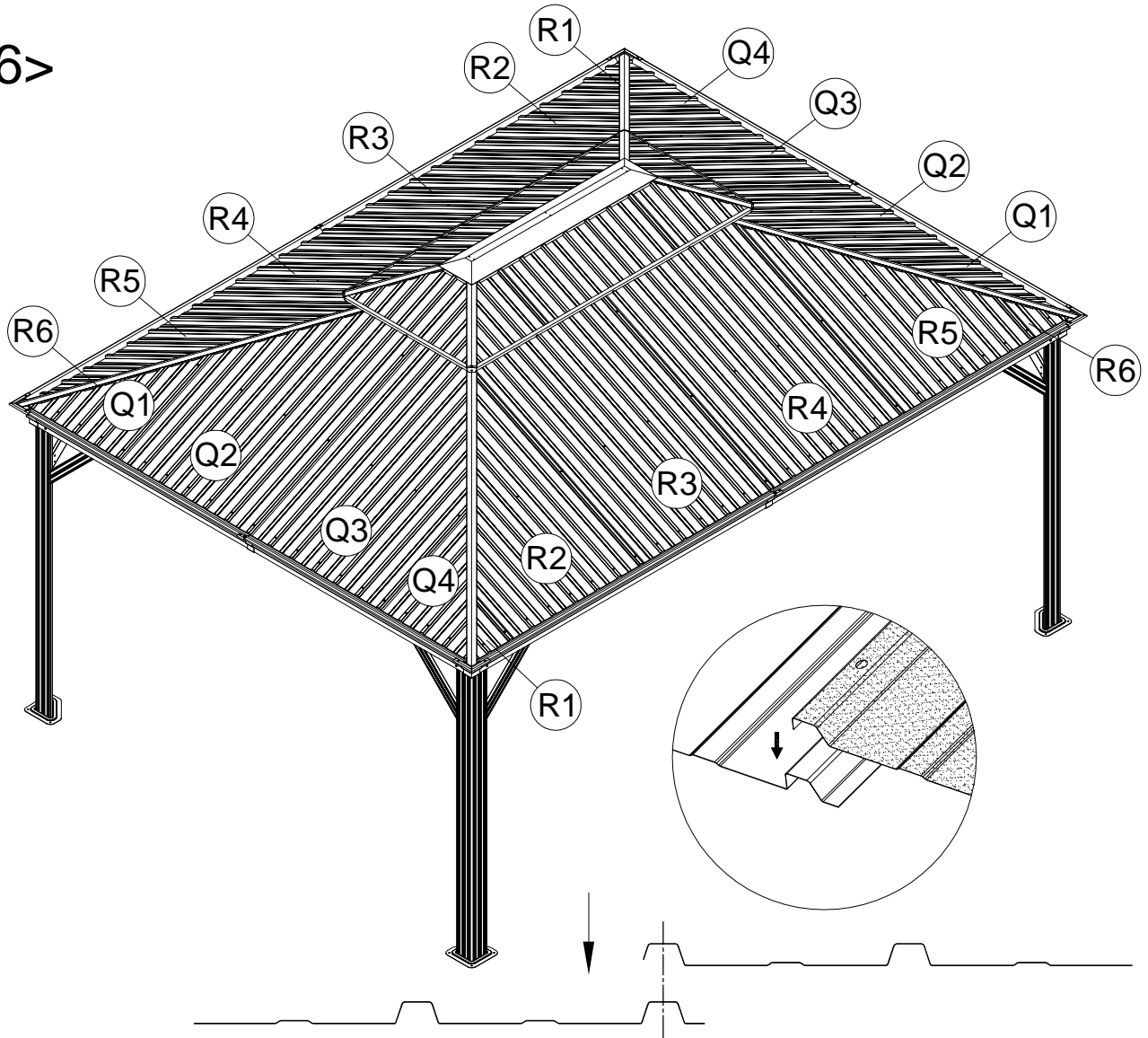
W1 6x

1 32x M6x15

18

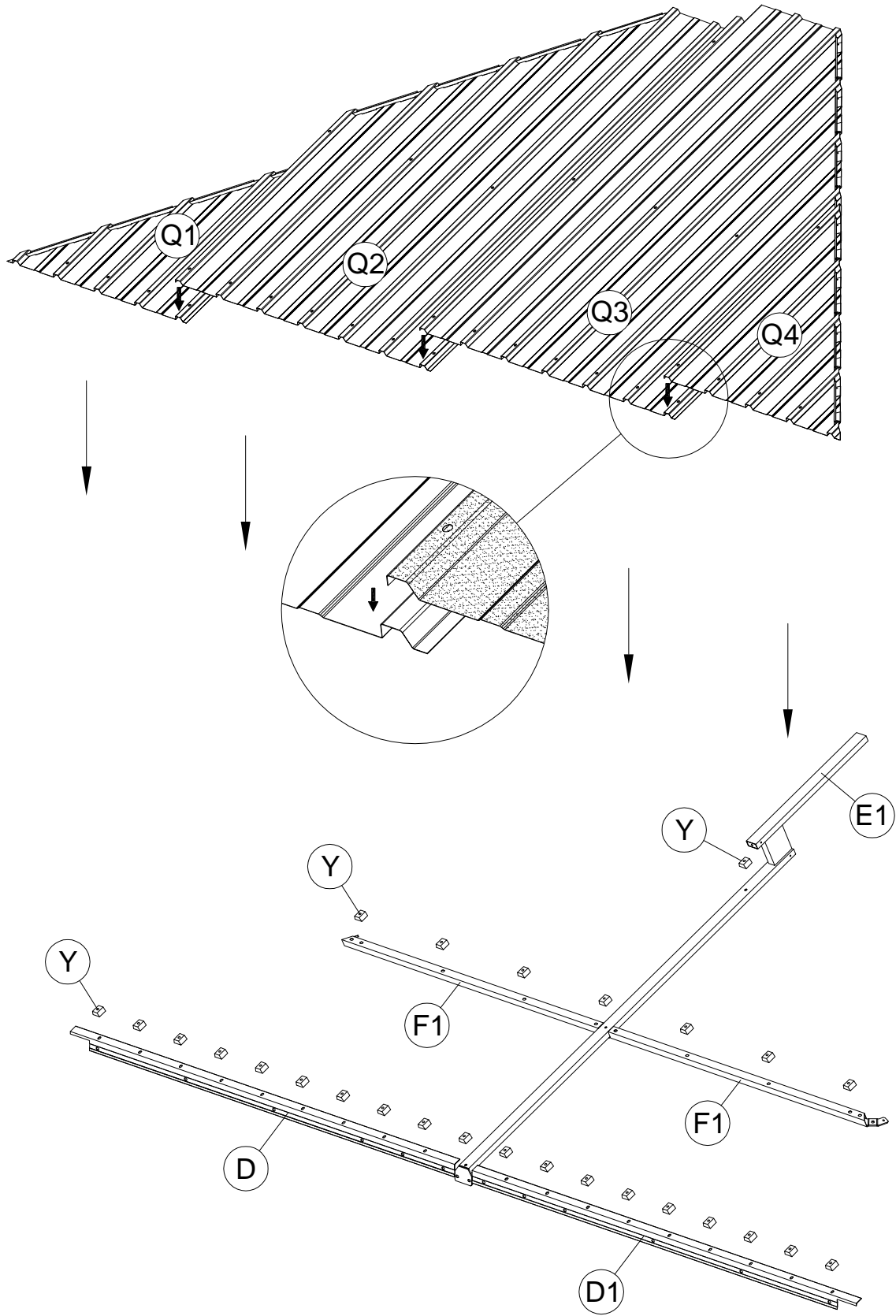


<16>



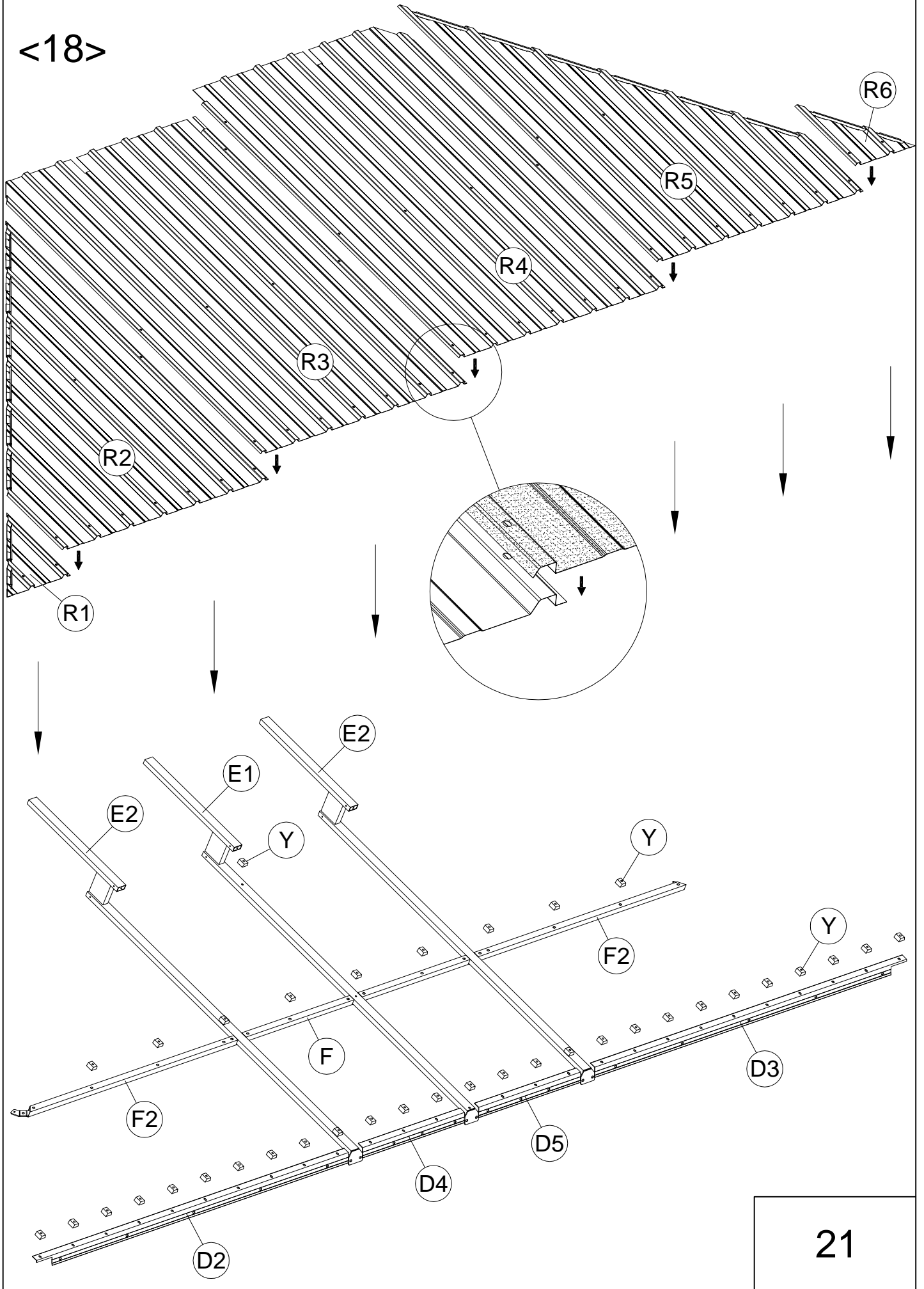
19

<17>



20

<18>





<19>

Y 128x

1 4x

2 88x

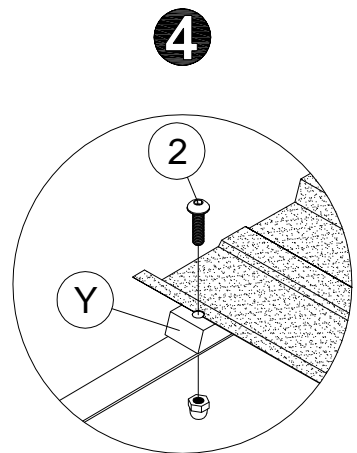
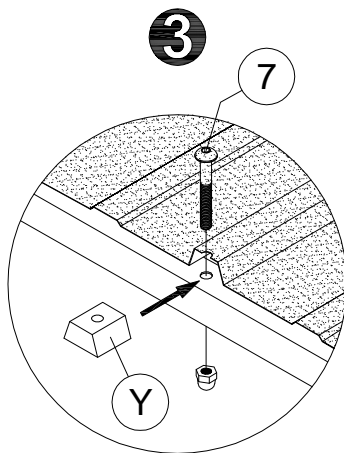
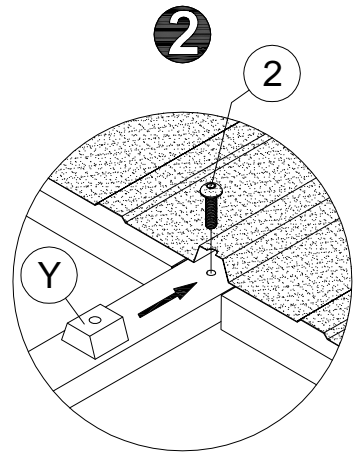
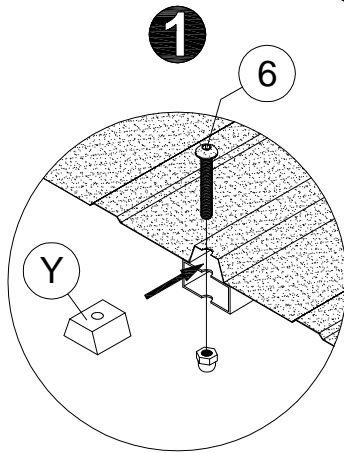
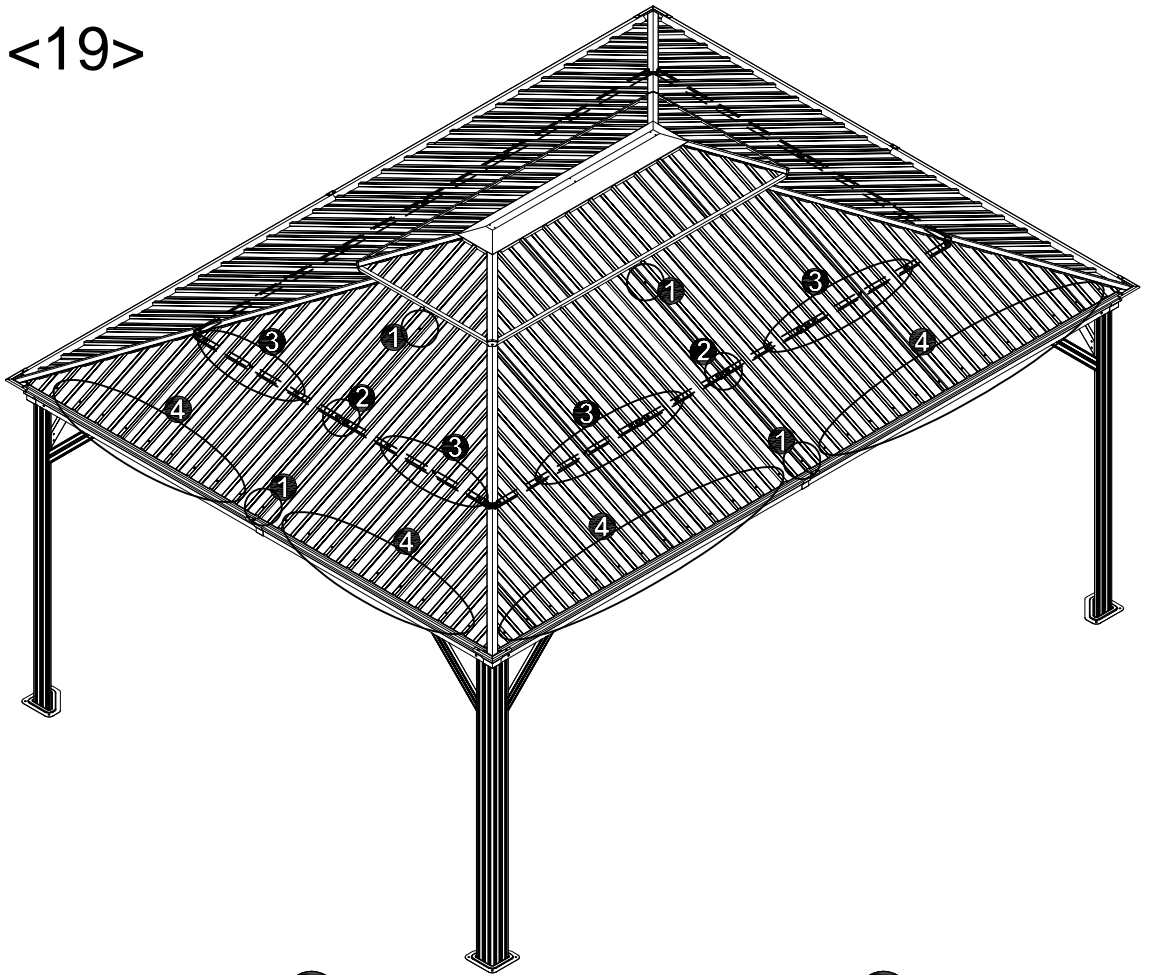
M6x23
2 4x + 88x

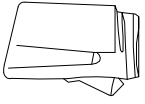


M6x42
6 8x



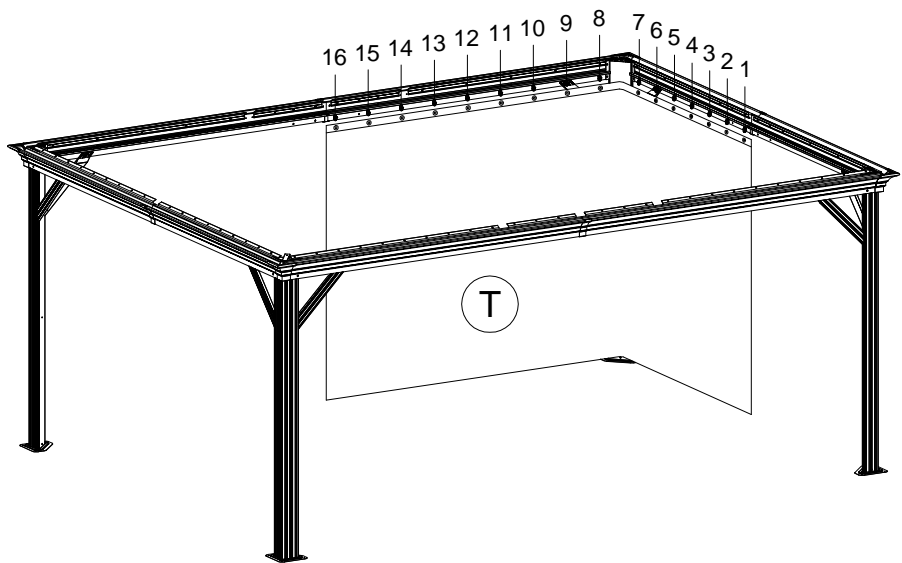
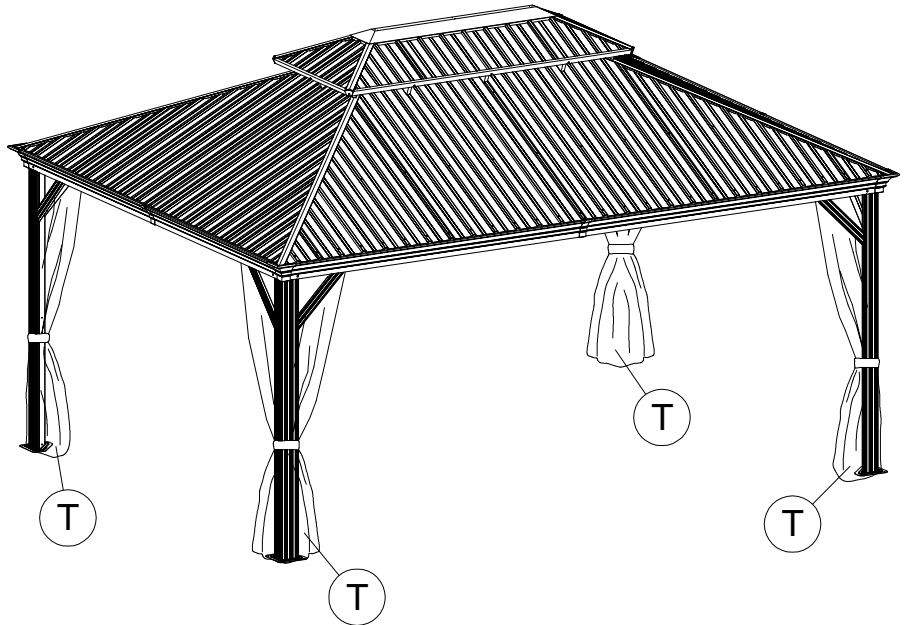
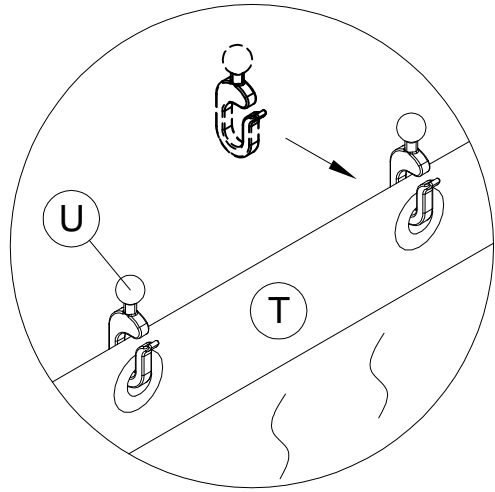
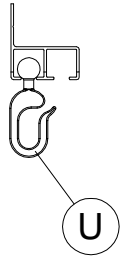
M6x47
7 28x

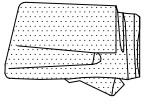




<20>

T 4x



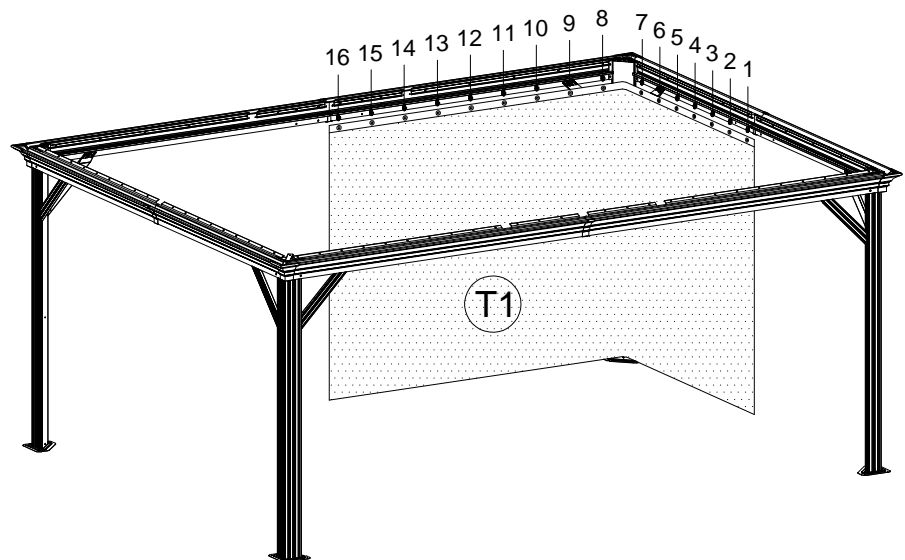
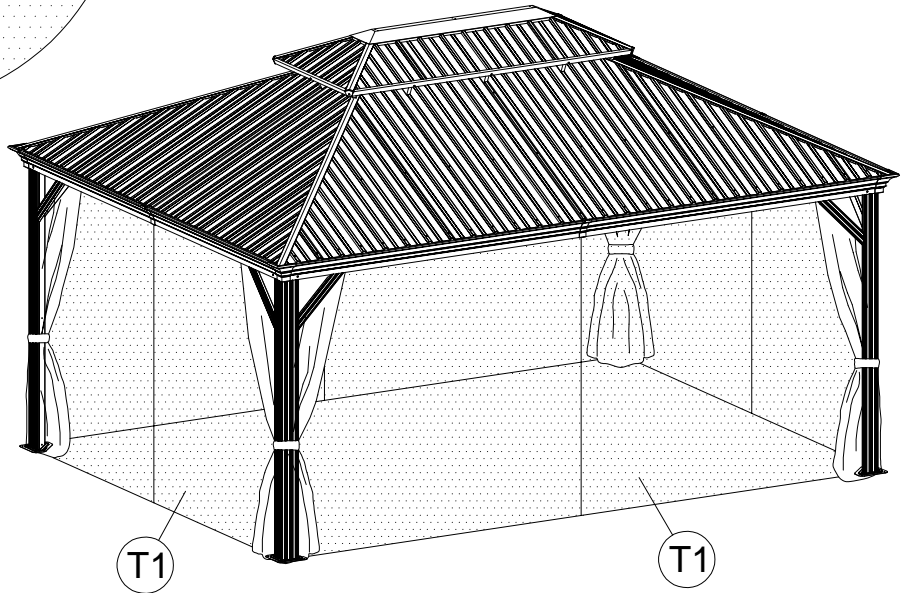
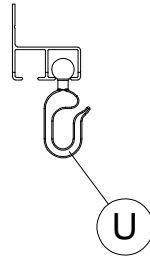
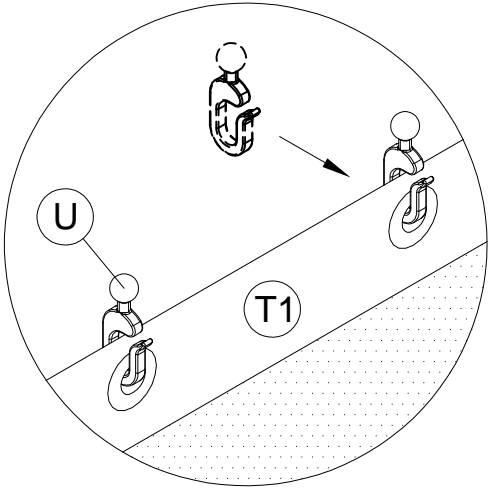
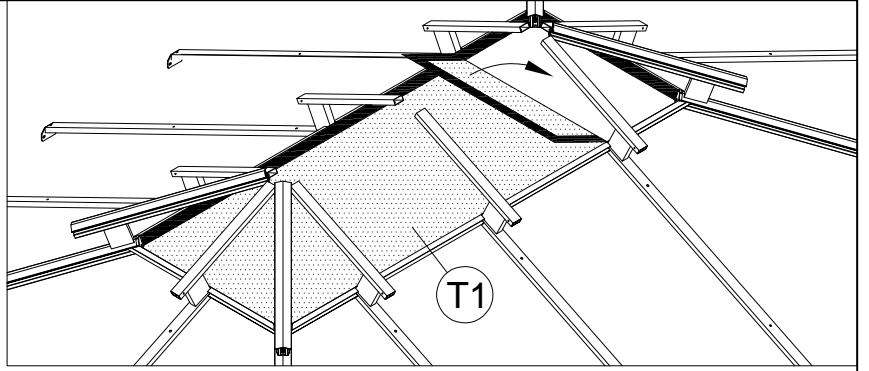


+



T1 4x + 1x

<21>





<22>

9 12x

