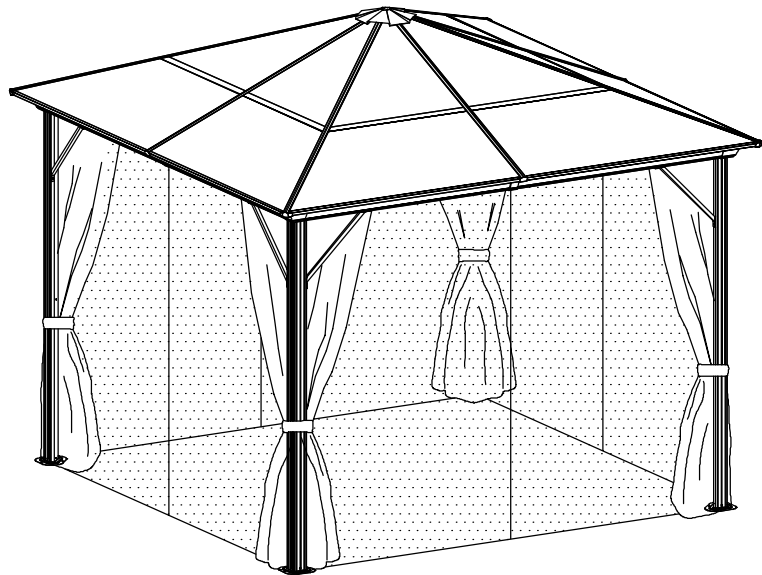


3 x 3 M

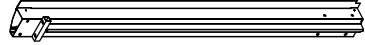




A 4x



B 4x



B1 4x



D 4x



E 4x



F1 4x



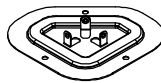
F2 4x



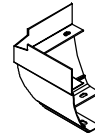
G1 8x



H 8x



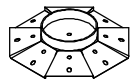
J 4x



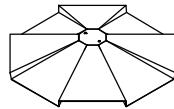
K 4x



K1 4x



L 1x



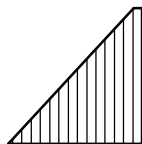
M 1x



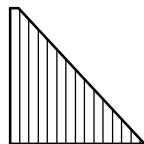
N 4x



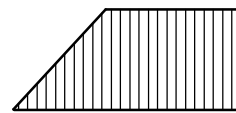
P 4x



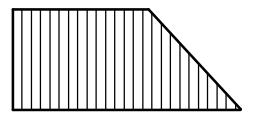
Q1 4x



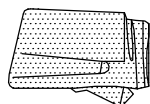
Q2 4x



R1 4x



R2 4x



S 4x



T 4x



U 96x



V 4x

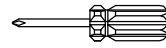


W 12x

S4



X 1x



Y 1x



M6x15

1 80x



M6x35

2 16x



M5x12

3 16x



ST5x12

4 24x

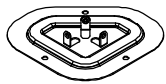


5 1x

<1>



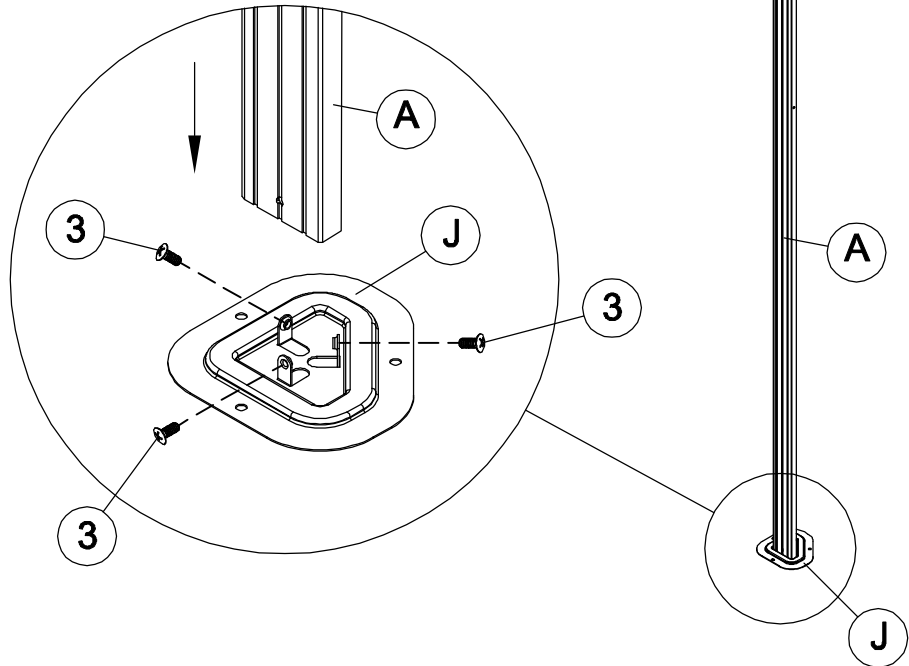
A 4x



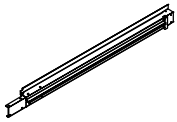
J 4x



3 12x M5x12



<2>



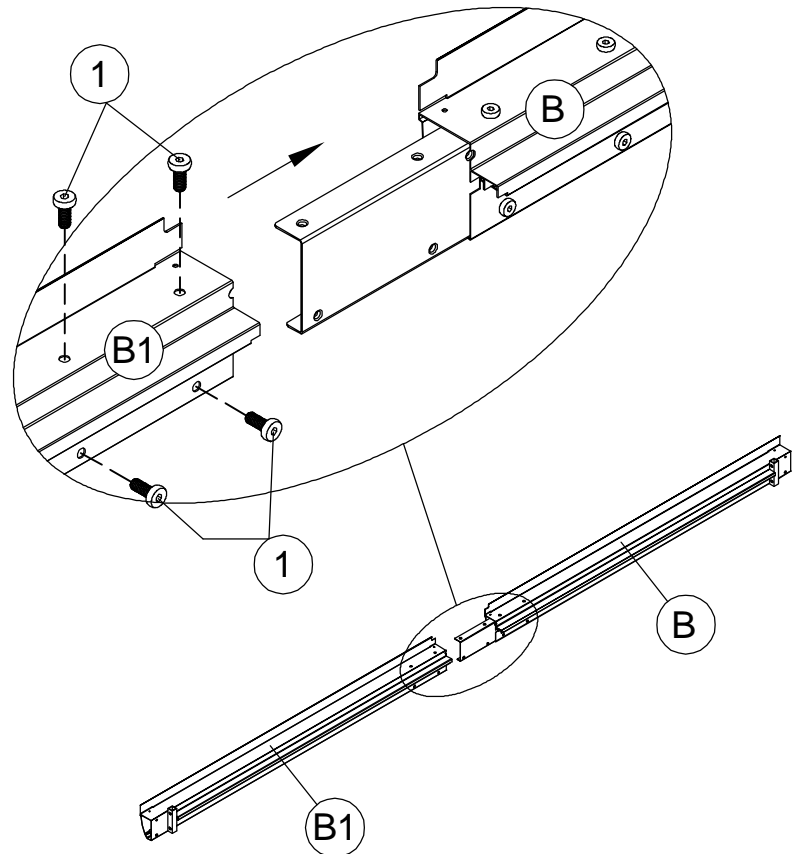
B 4x




B1 4x




1 16x M6x15

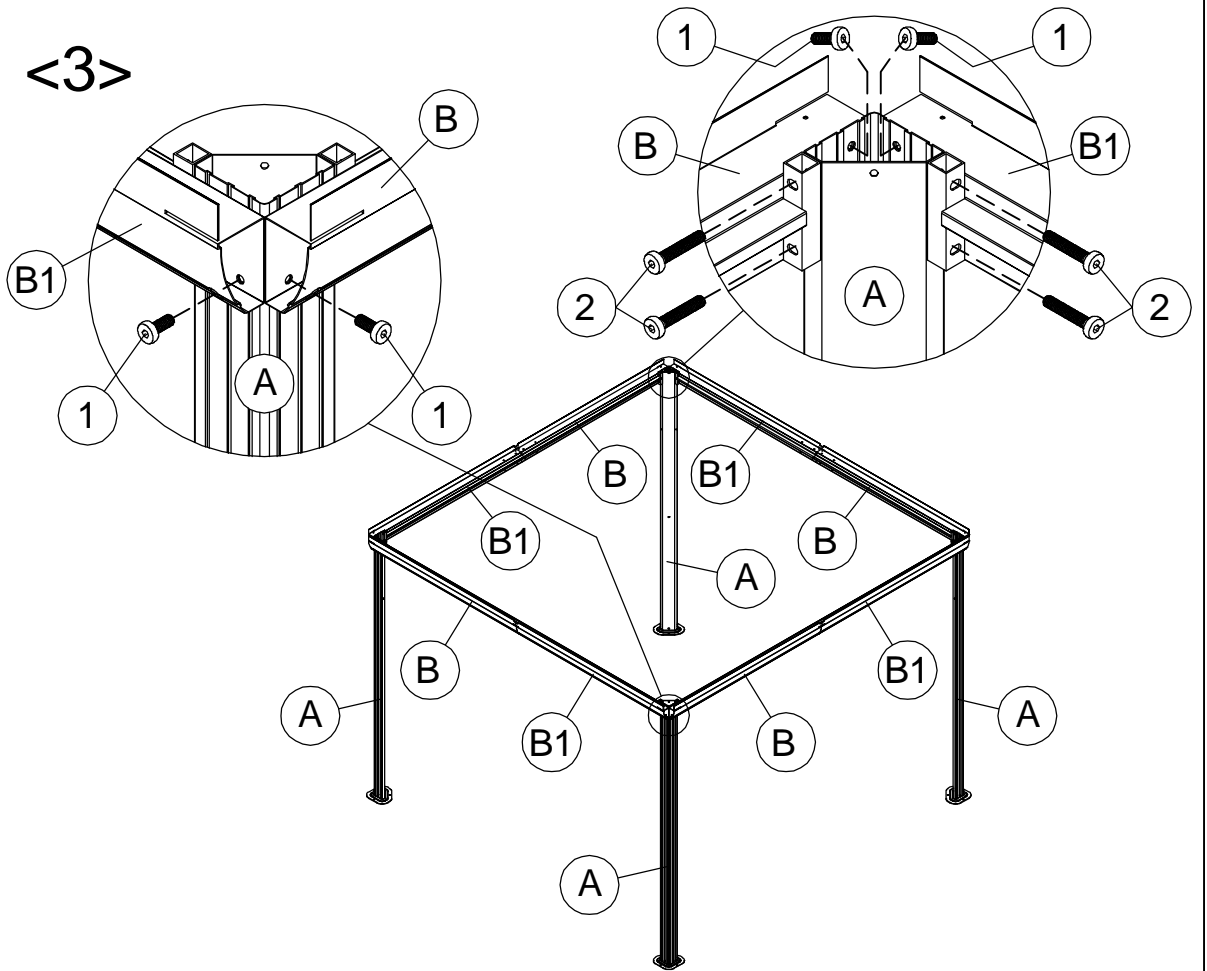



4


 M6x15
1 16x

 M6x35
2 16x

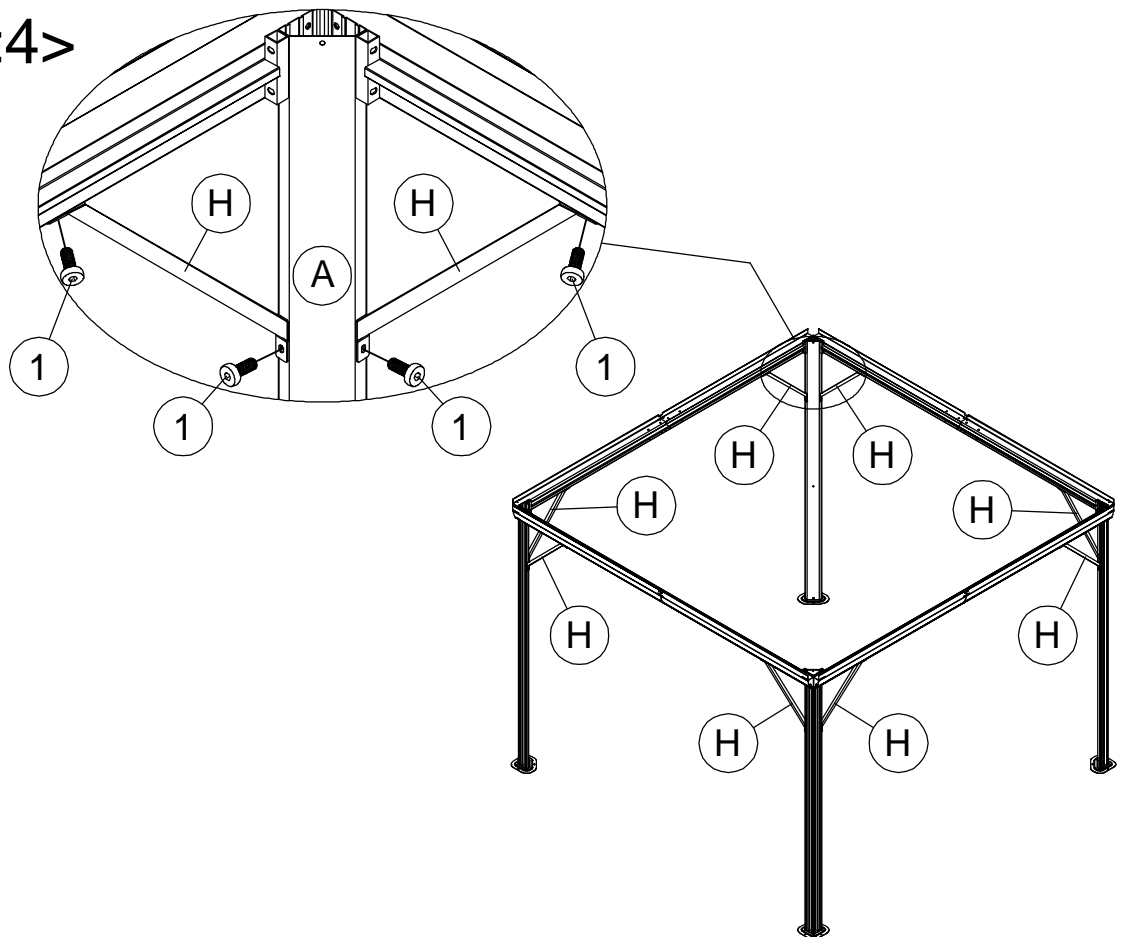
<3>



 H 8x

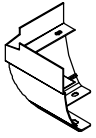
 M6x15
1 16x

<4>



5

<5>



K 4x



K1 4x



U 96x



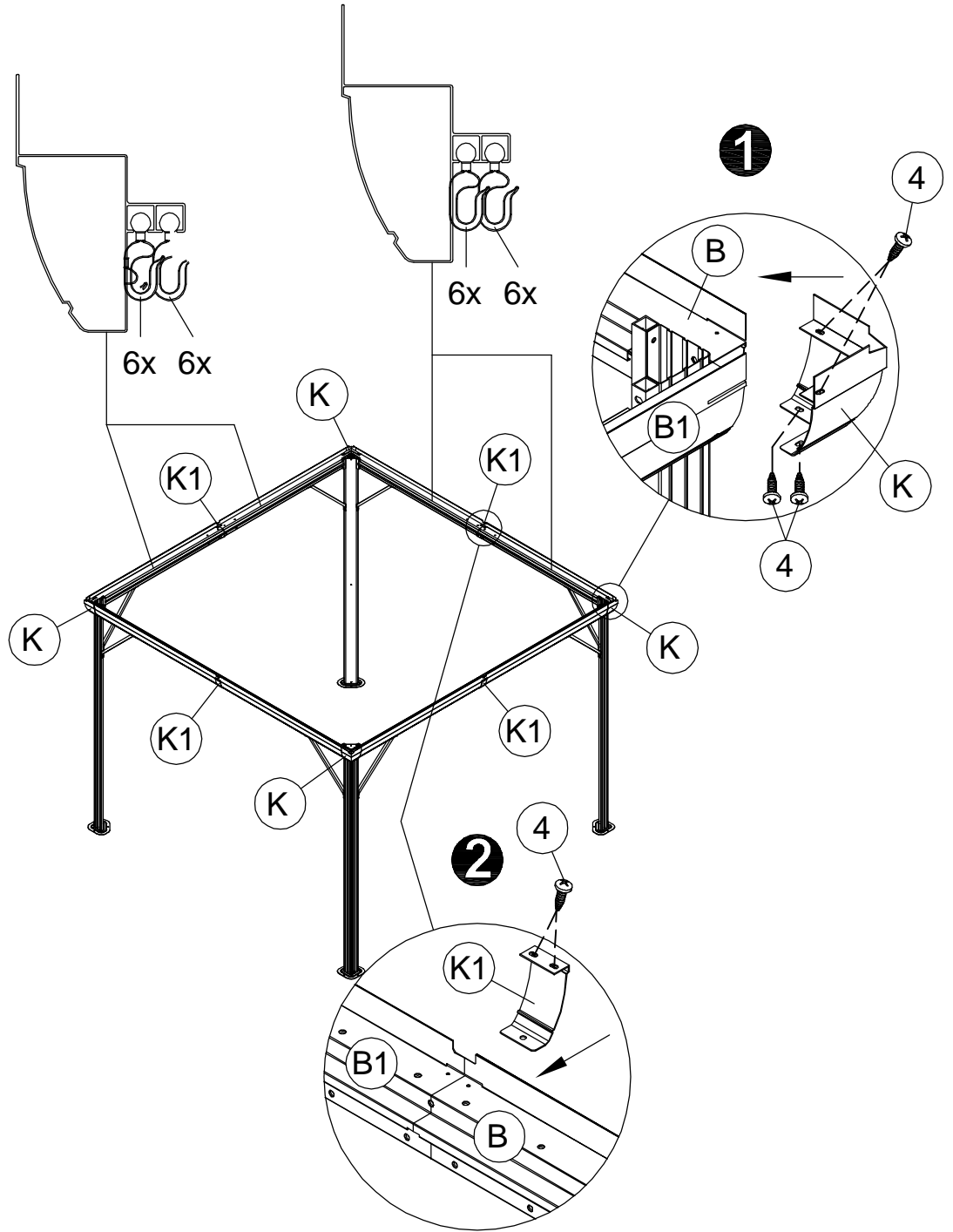
V 4x



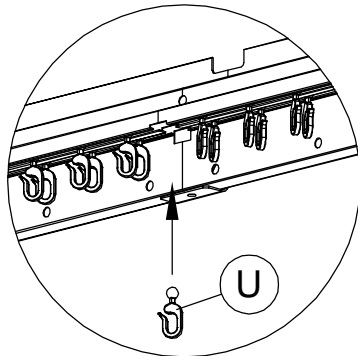
3 4x M5x12



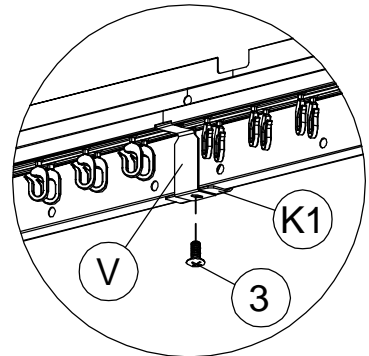
4 24x ST5x12



3



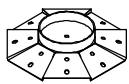
4



6

<6>

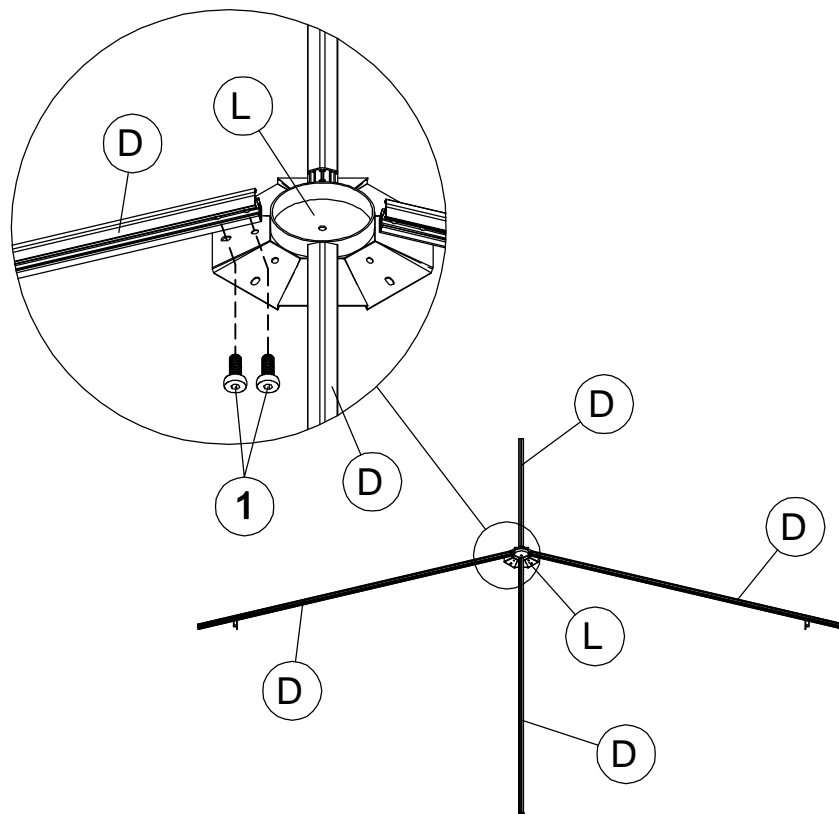
D 4x



L 1x

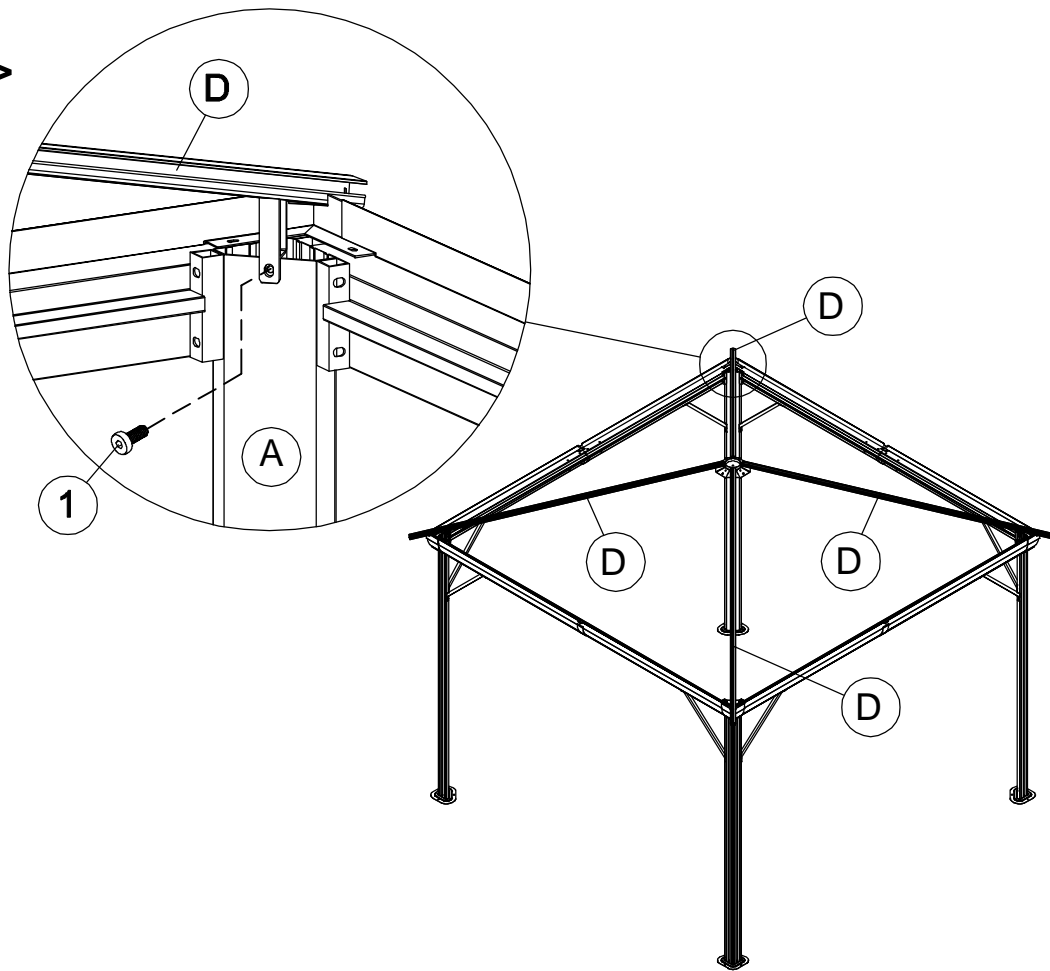


1 8x M6x15



1 4x M6x15

<7>



7

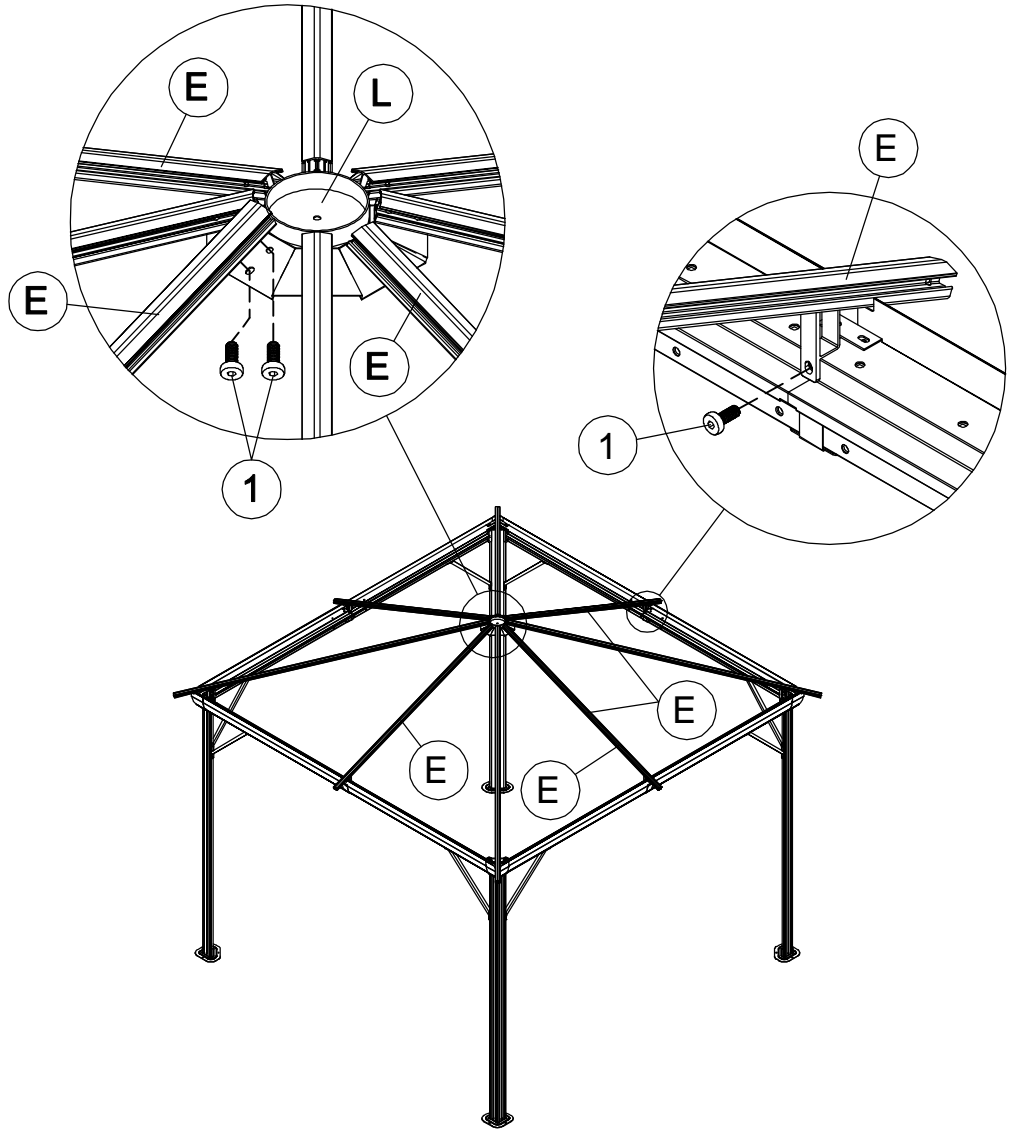


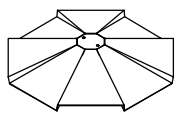
<8>

(E) 4x



(1) 12x M6x15



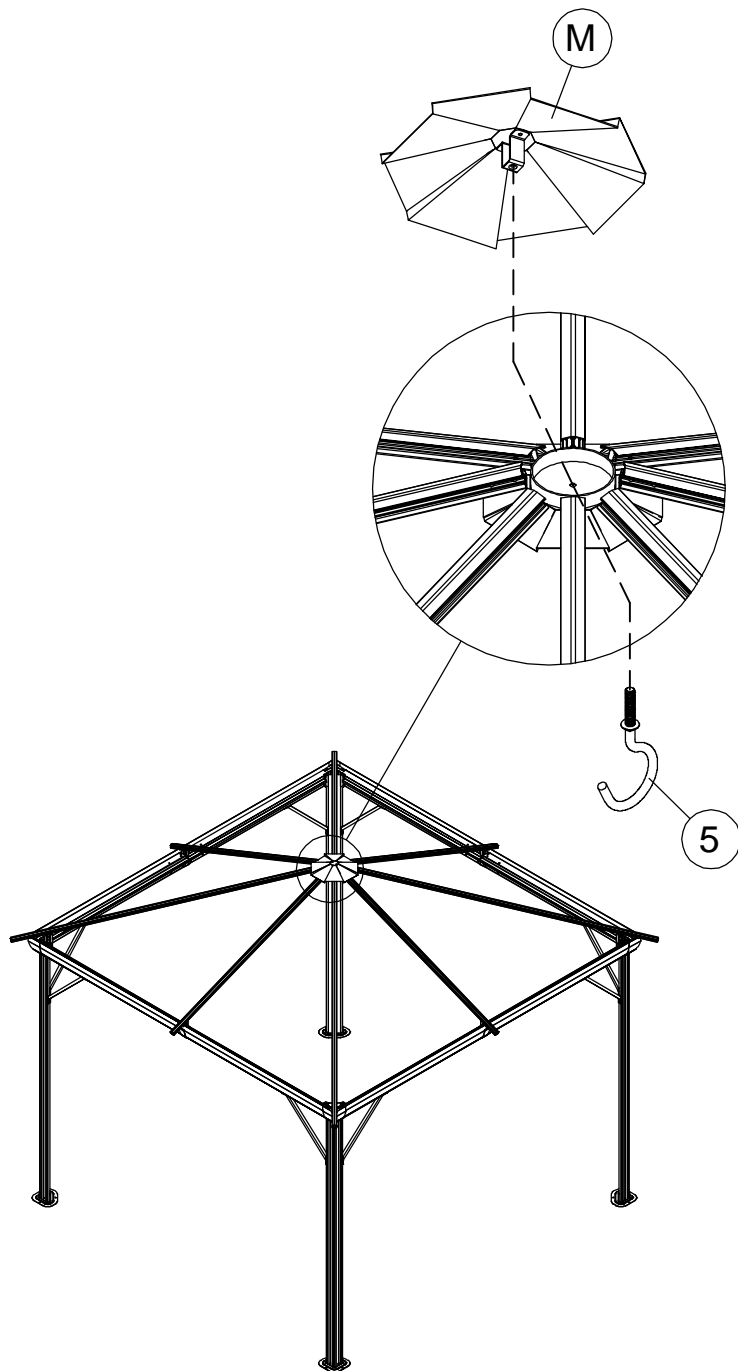


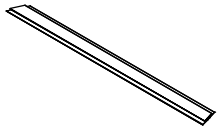
<9>

(M) 1x

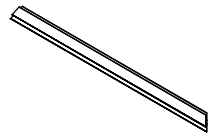


(5) 1x

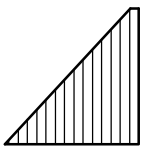




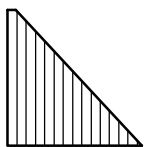
F1 4x



F2 4x

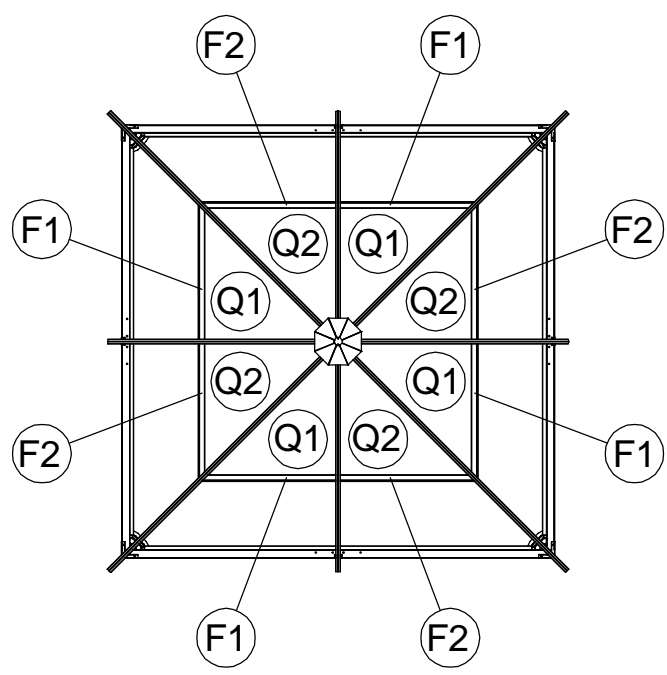
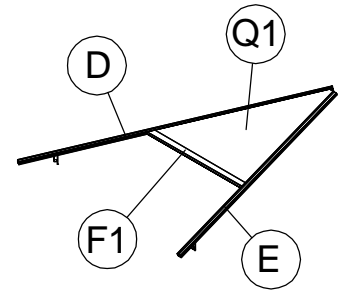
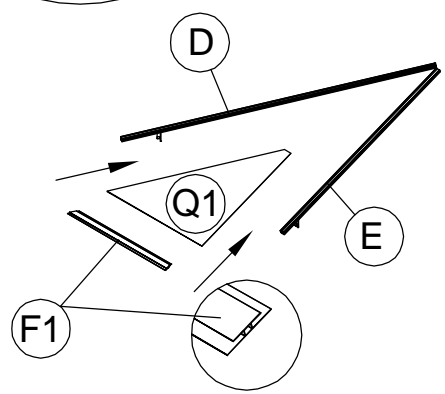
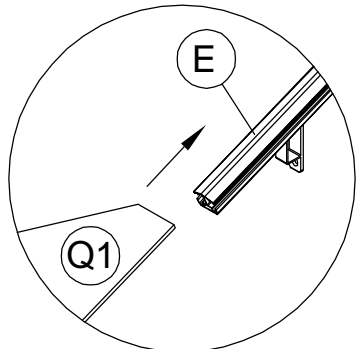
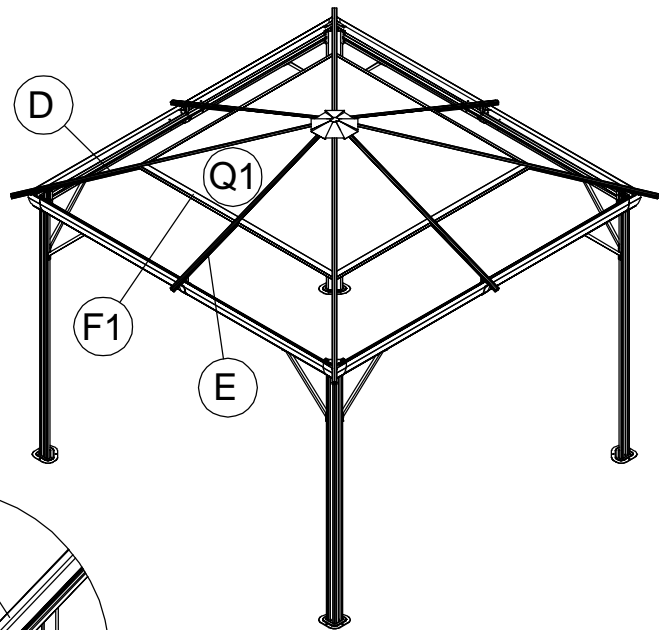


Q1 4x

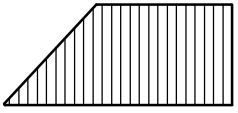


Q2 4x

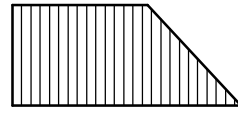
<10>



10

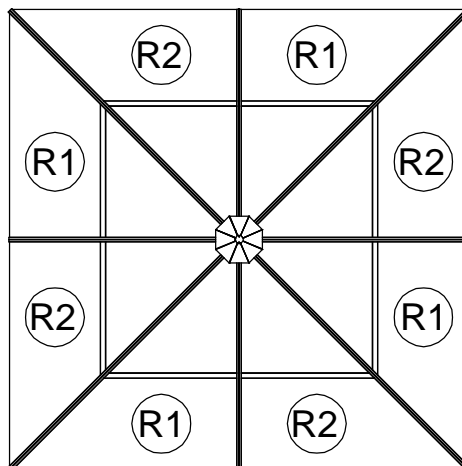
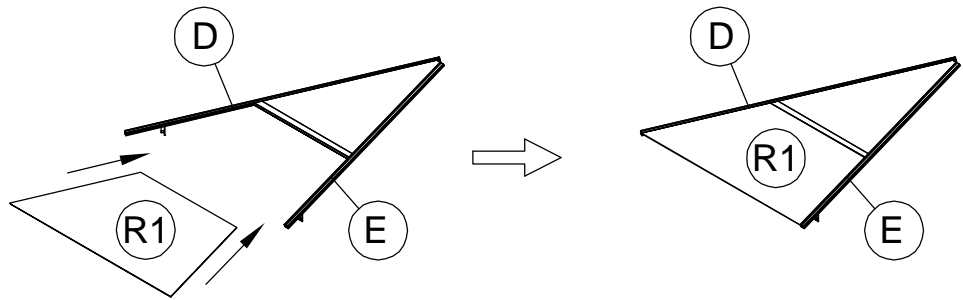
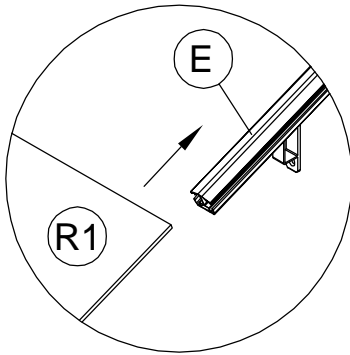
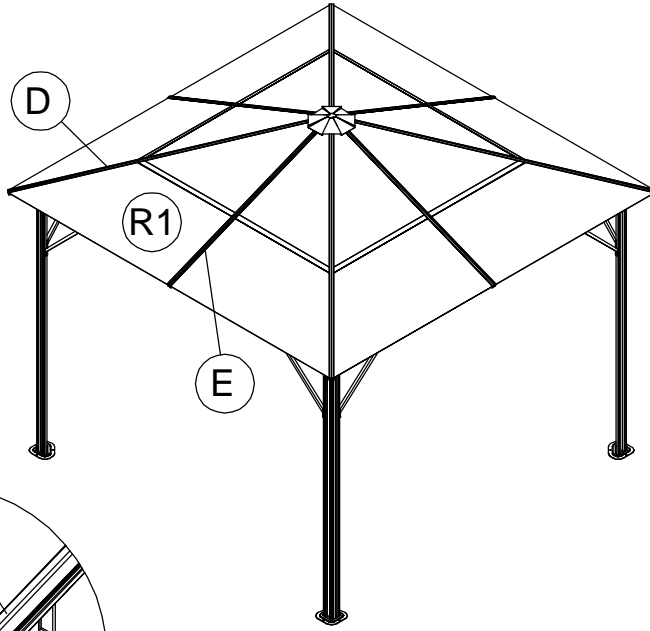


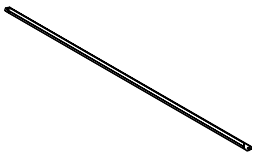
R1 4x



R2 4x

<11>





G1 8x



N 4x

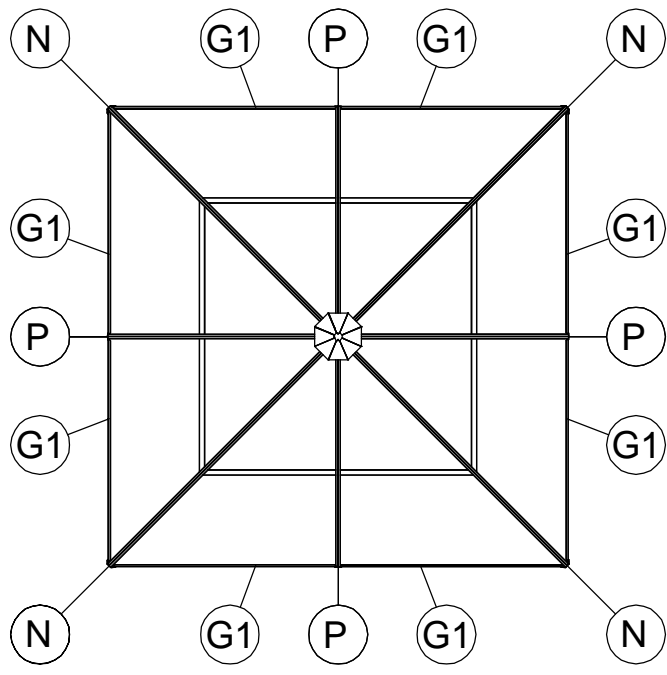
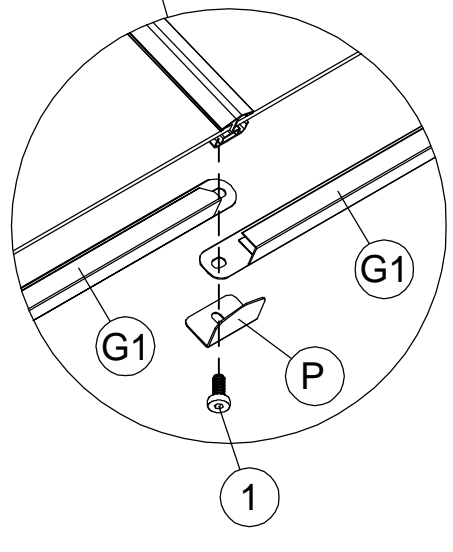
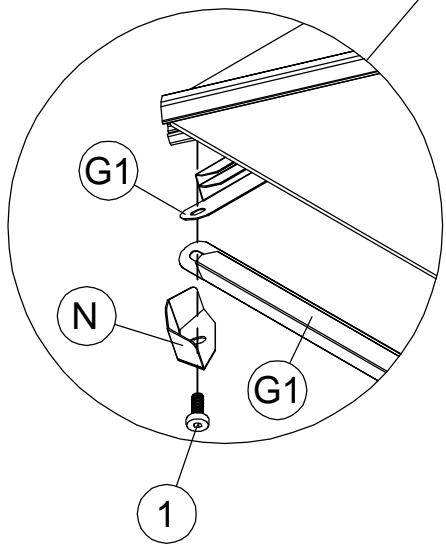
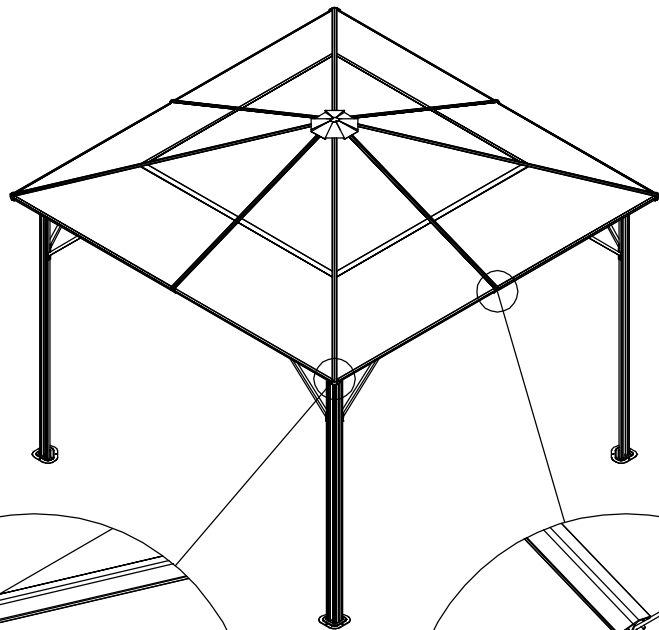


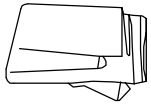
P 4x



1 8x M6x15

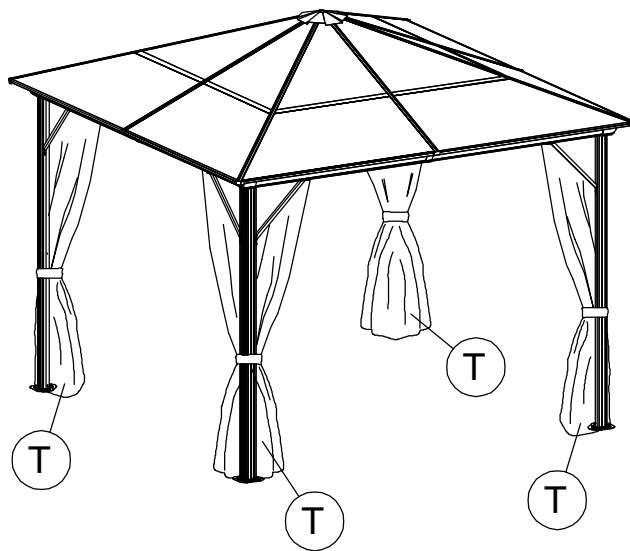
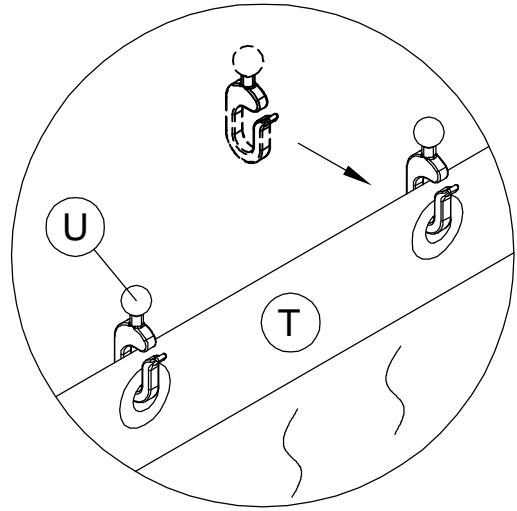
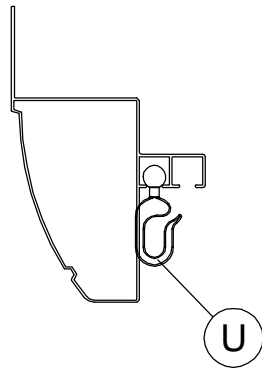
<12>

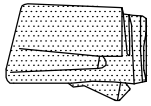




<13>

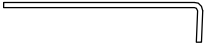
T 4x





<14>

(S) 4x



(W) 12x

