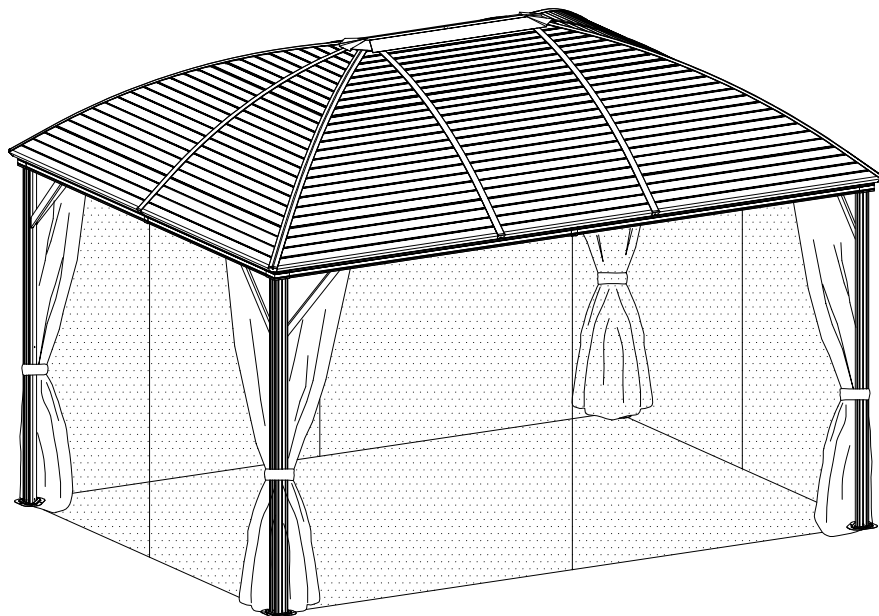


3 x 4 M



YS 1005





(A) 4x



(B) 2x



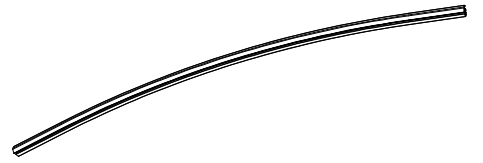
(B1) 2x



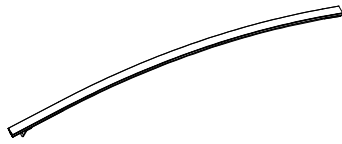
(C) 2x



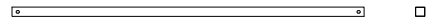
(C1) 2x



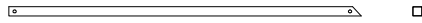
(D) 4x



(E) 6x



(F) 2x



(F1) 8x



(G) 2x



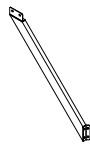
(G1) 4x



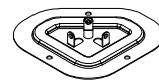
(G2) 4x



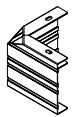
(H1) 4x



(H2) 4x



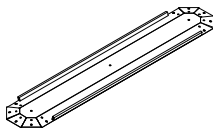
(J) 4x



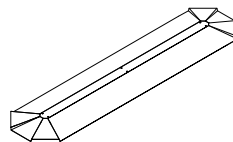
(K) 4x



(K1) 4x




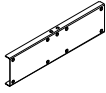
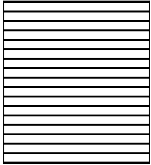
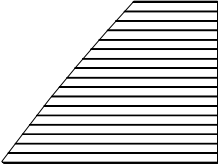
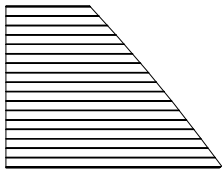
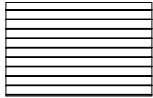
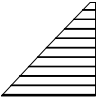
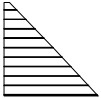
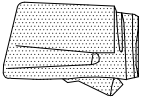
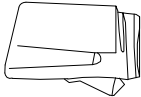

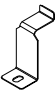
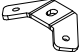
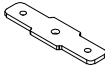


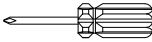





(L) 1x



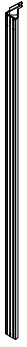
(M) 1x



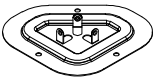
(N) 4x

			
(N1) 6x	(P) 4x	(Q) 2x	(Q1) 4x
			
(Q2) 4x	(R) 2x	(R1) 4x	(R2) 4x
			
(S) 4x	(T) 4x	(U) 112x	(V) 4x
			
(W) 4x	(W1) 6x	(Y) 20x	
			
S4 1x	1x		
			
M6x15 (1) 113x	M6x10 (2) 32x	M5x12 (3) 48x	ST4.8x12 (4) 24x
			
(5) 2x			

<1>



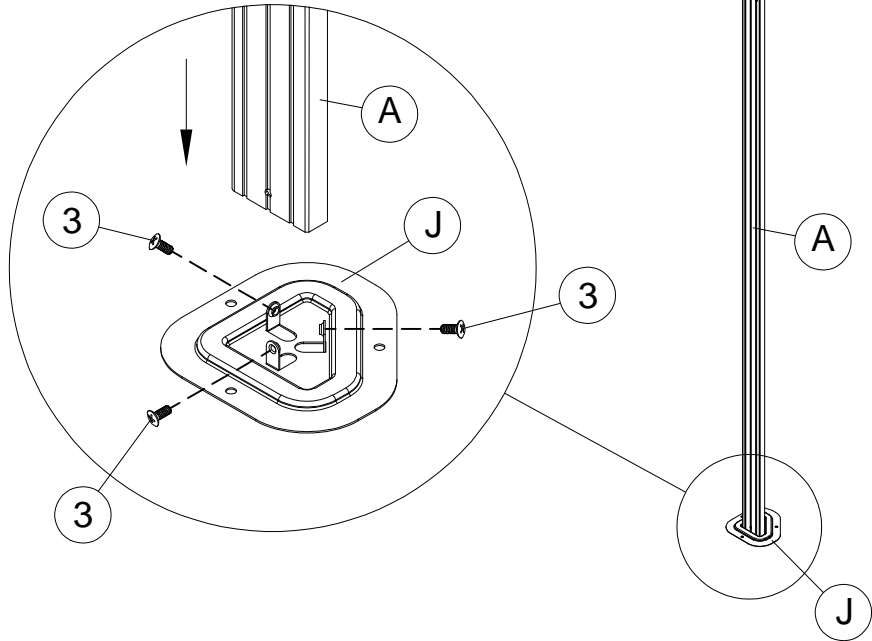
A 4x



J 4x

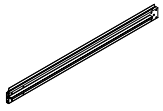


3 12x M5x12

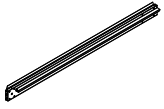


4

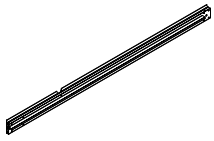
<2>



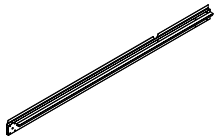
B 2x



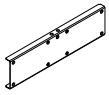
B1 2x



C 2x



C1 2x

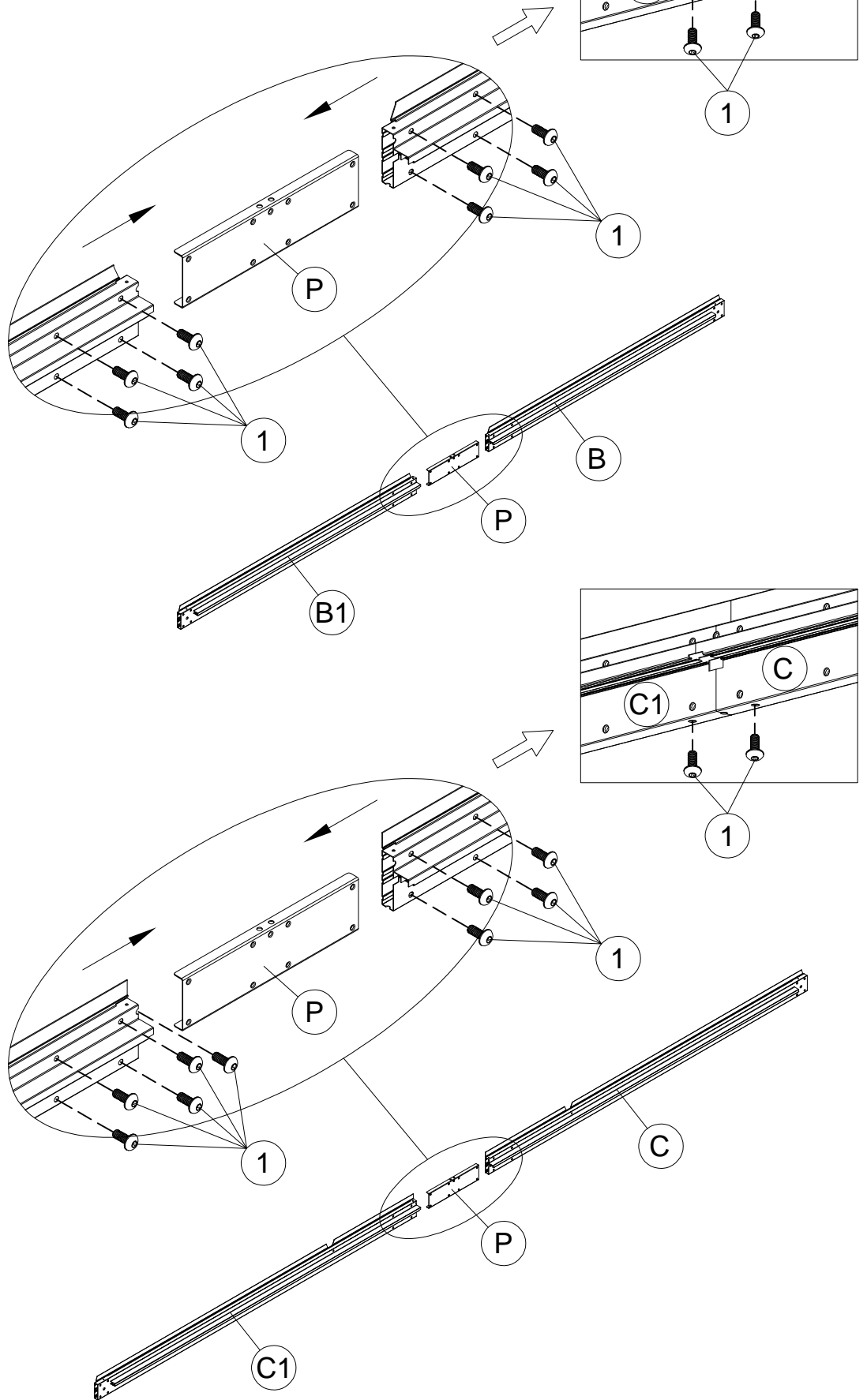


P 4x



1 42x M6x15

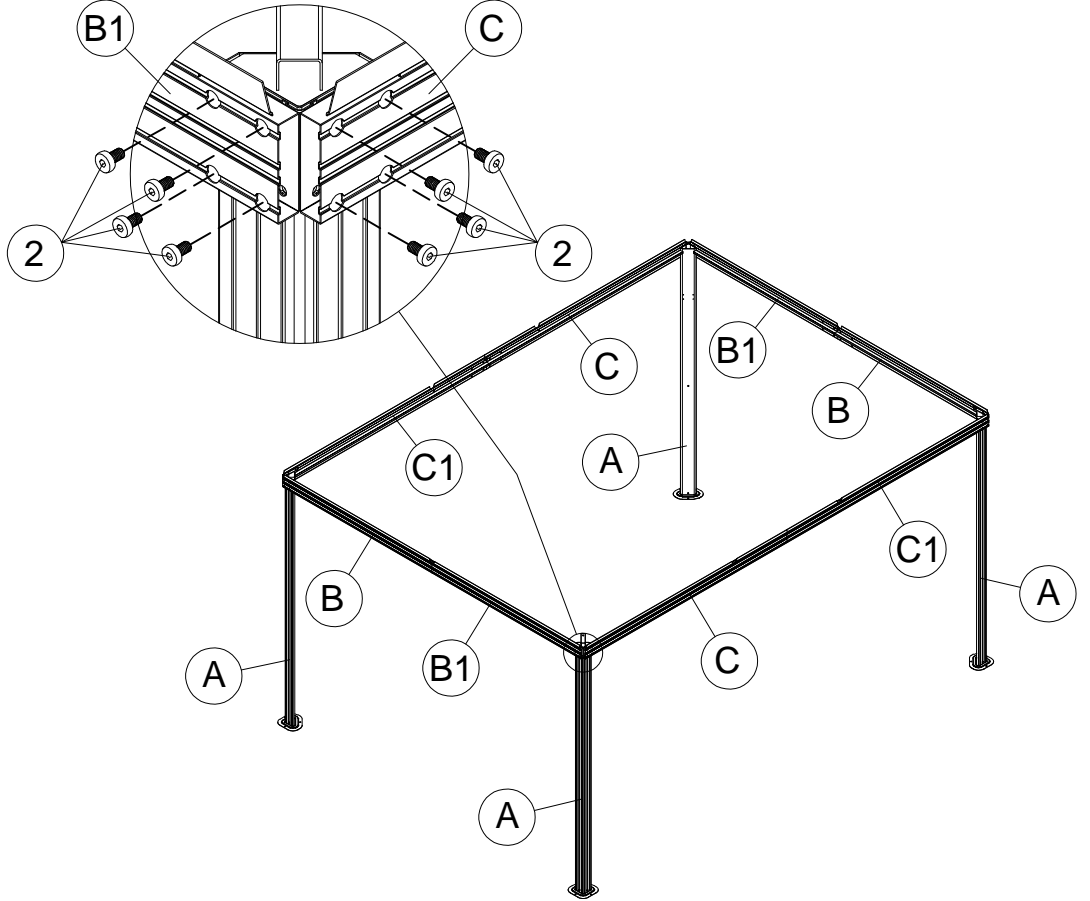
5





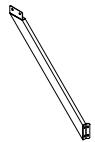
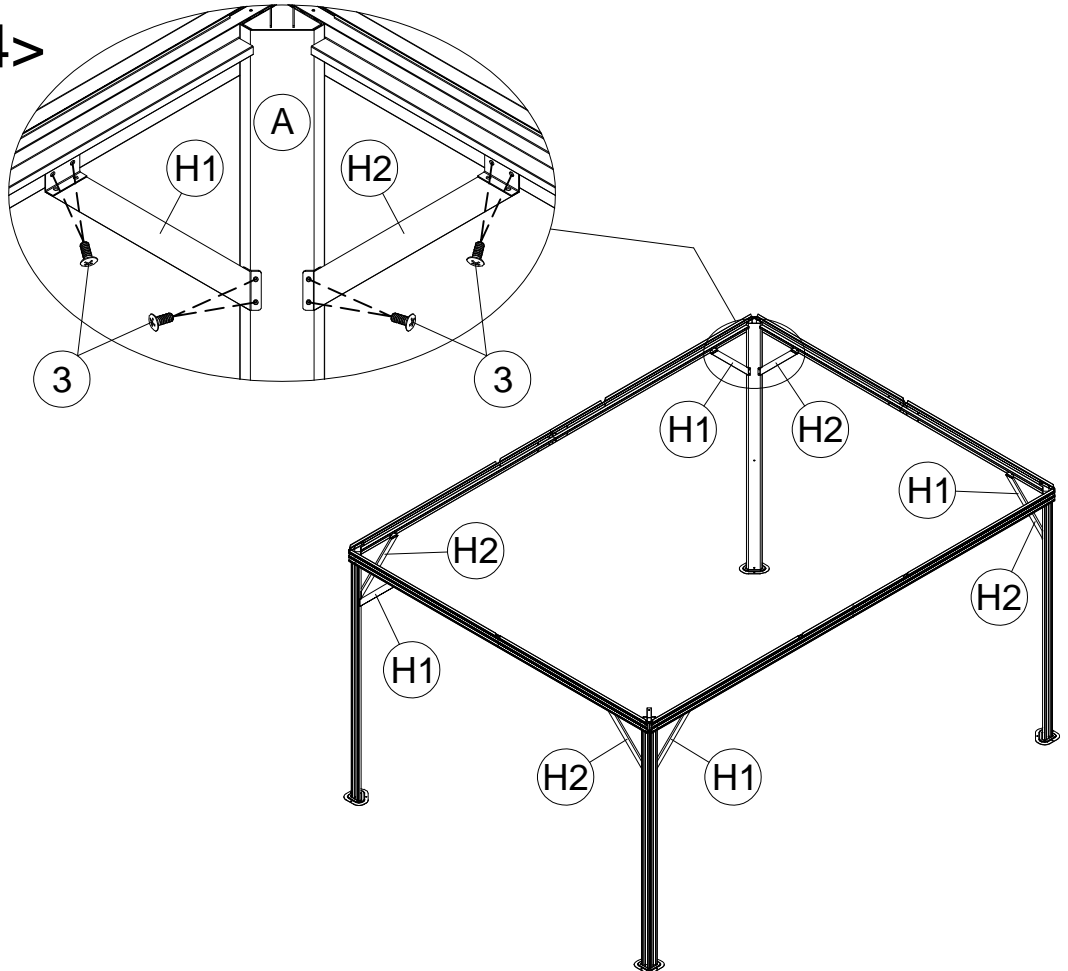
2 M6x10
32x

<3>



H1 4x

<4>



H2 4x



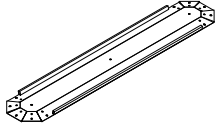
3 M5x12
32x

6



<6>

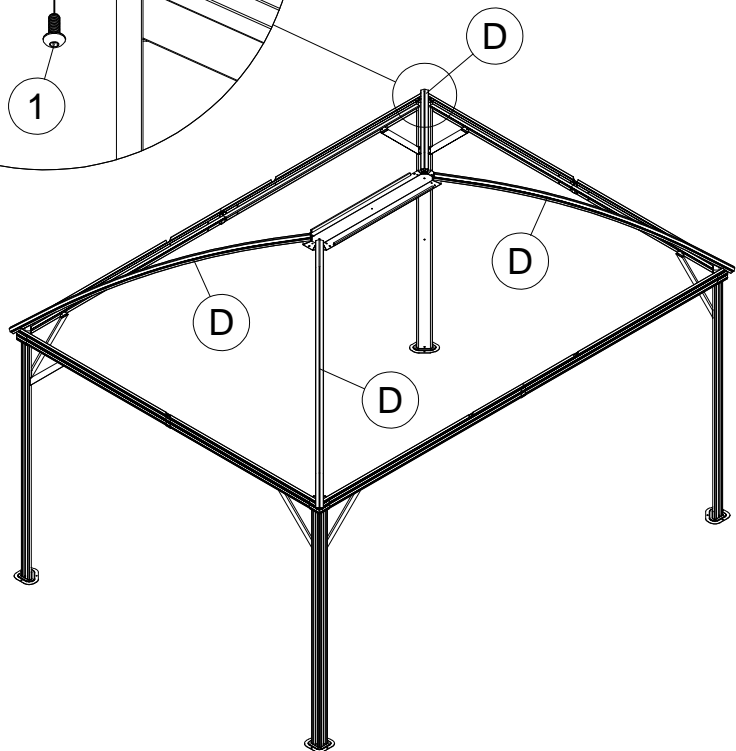
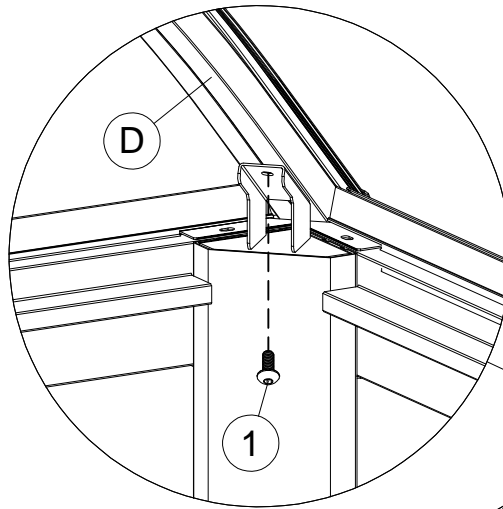
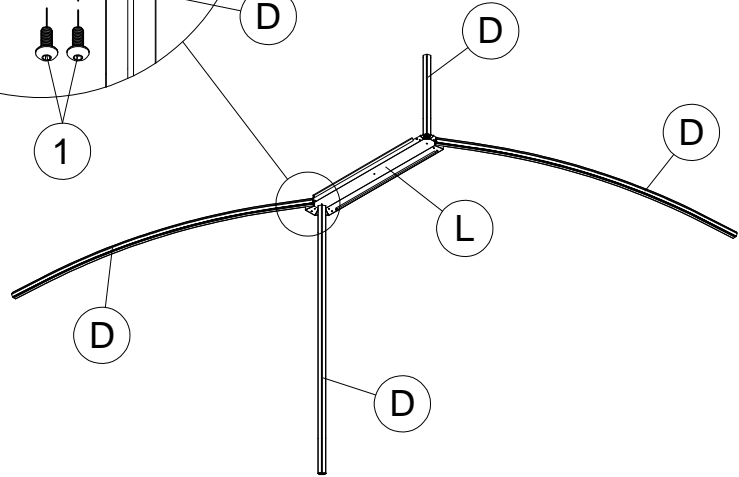
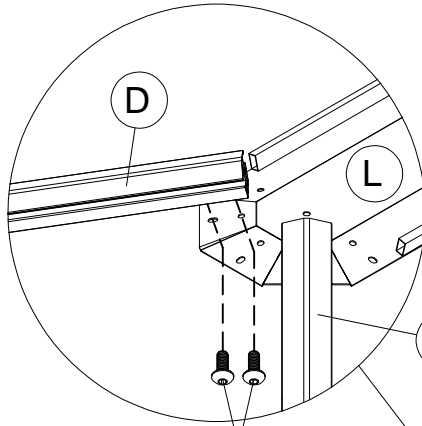
D 4x



L 1x



1 12x M6x15



8

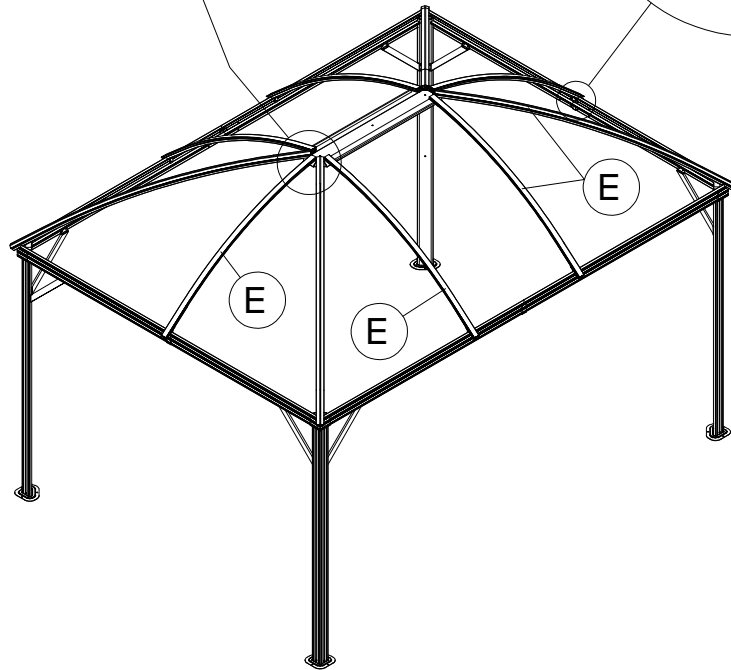
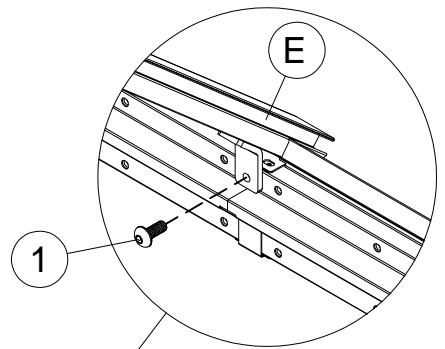
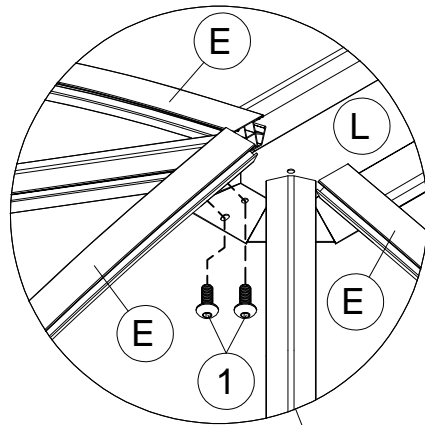


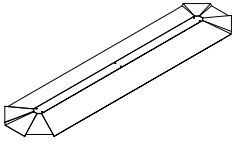
<7>

E 6x



1 M6x15
18x





M 1x

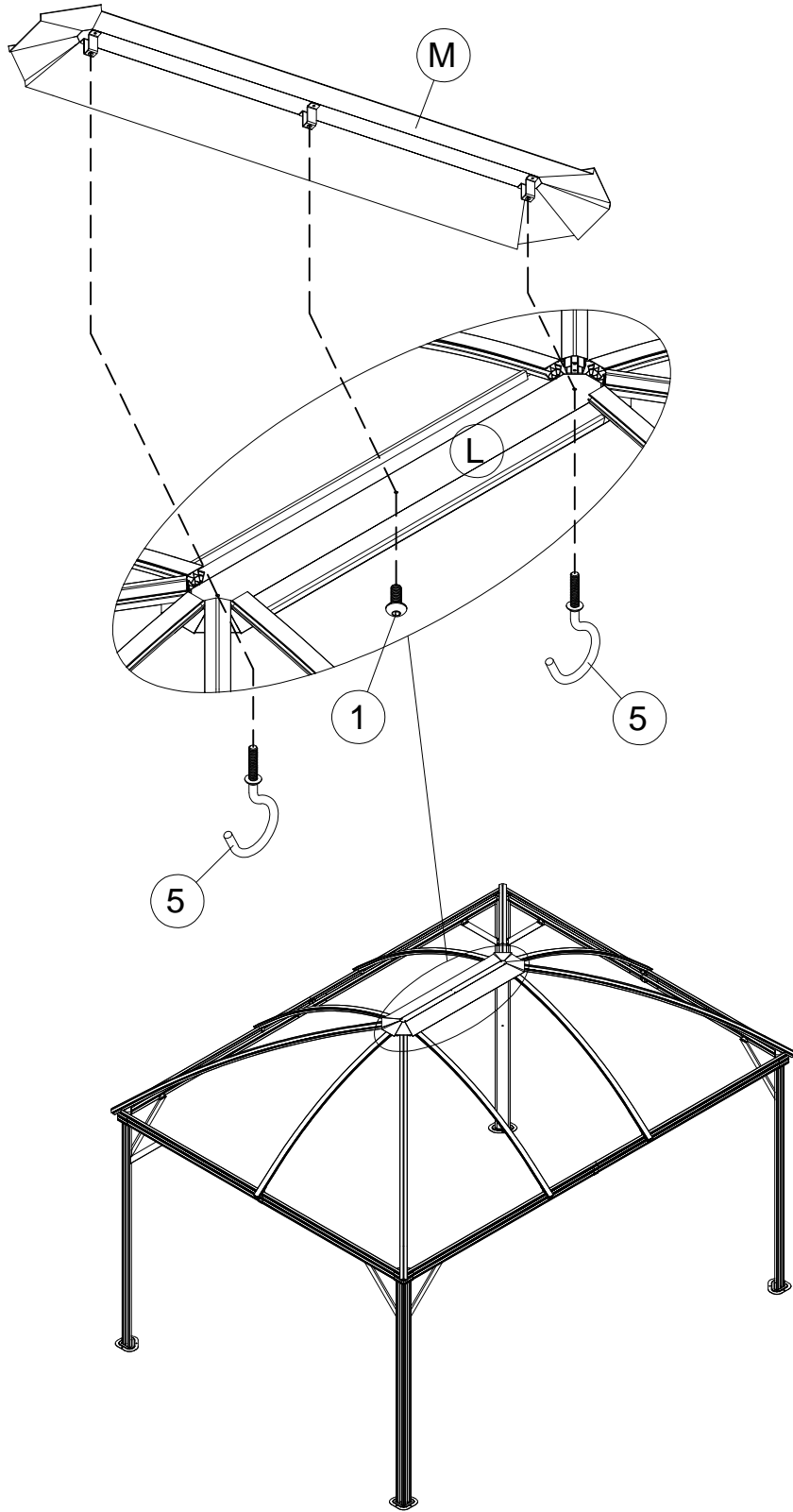


1 1x M6x15



5 2x

<8>



<9>

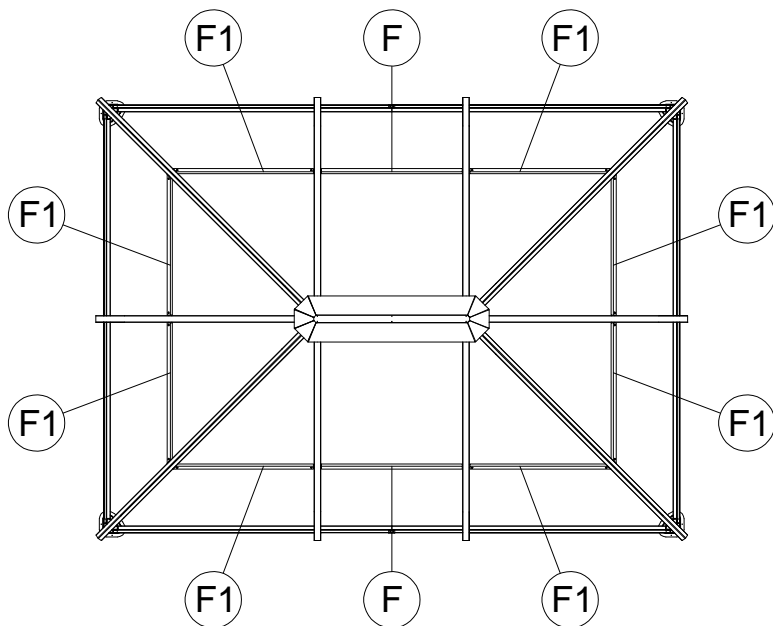
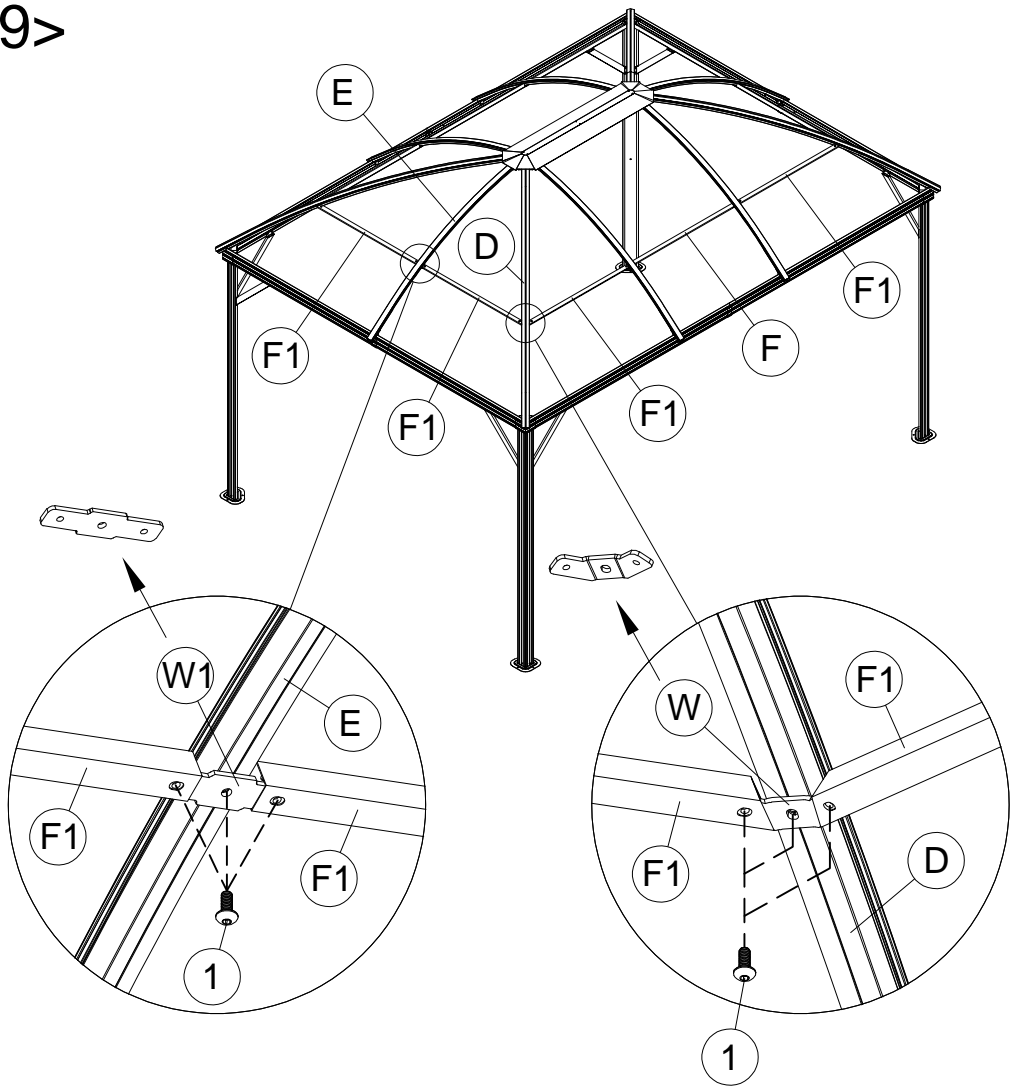
F 2x

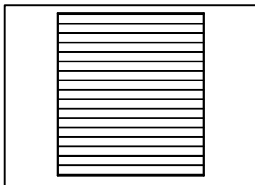
F1 8x

W 4x

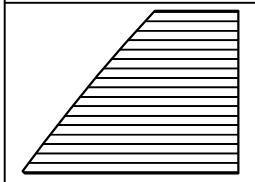
W1 6x

1 M6x15
30x

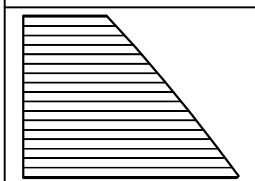




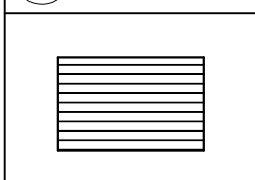
Q 2x



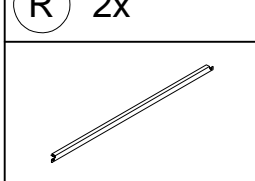
Q1 4x



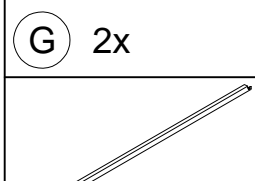
Q2 4x



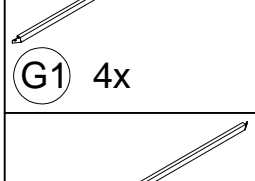
R 2x



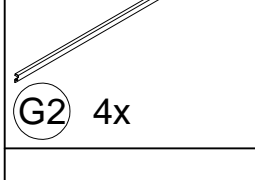
G 2x



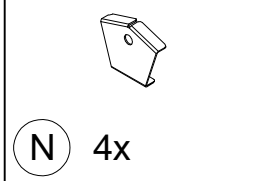
G1 4x



G2 4x



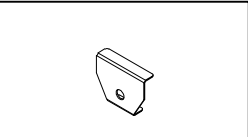
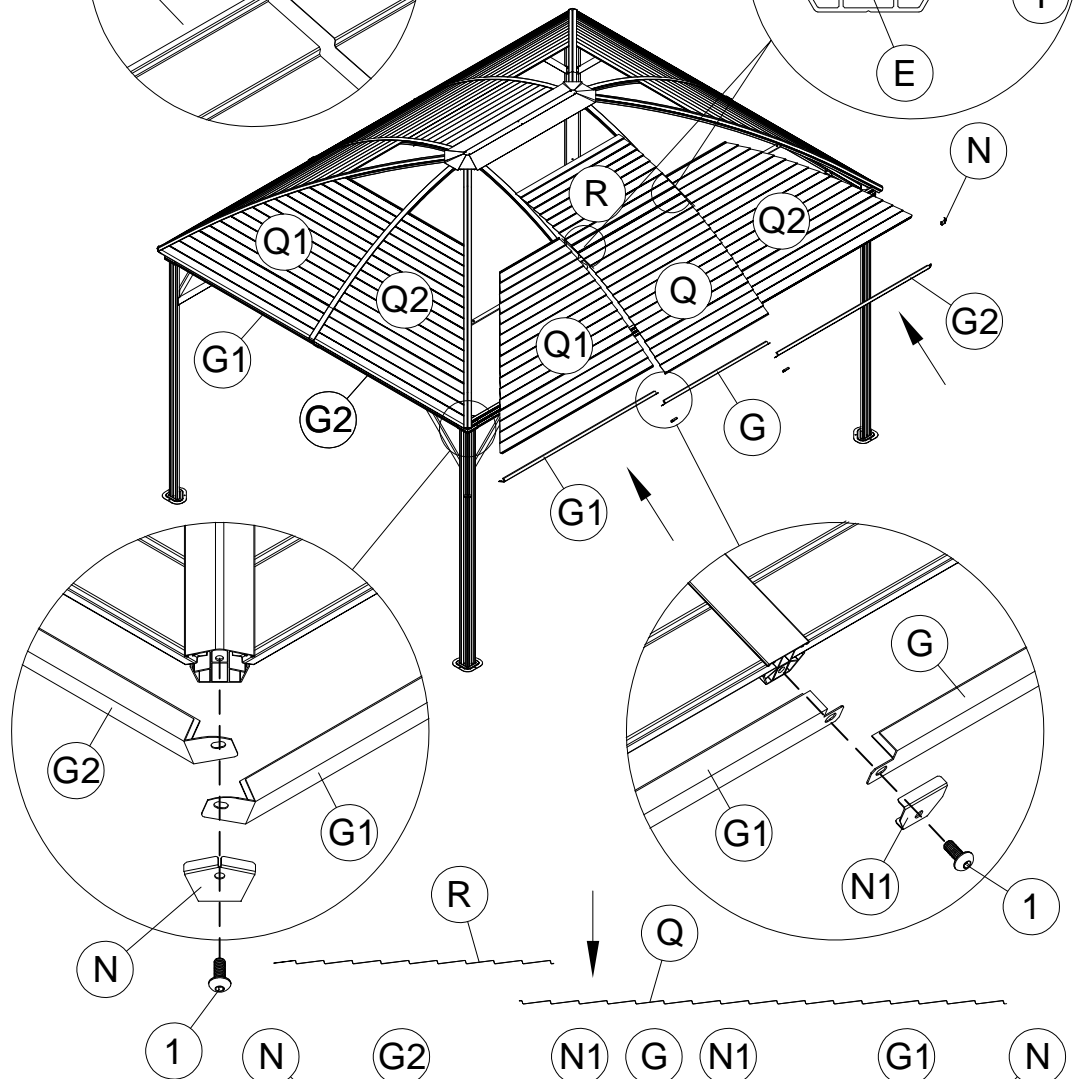
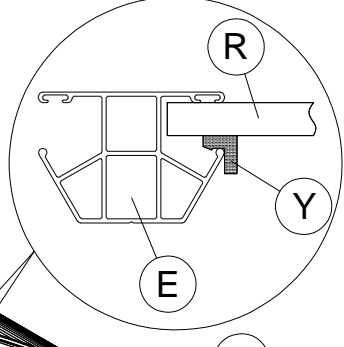
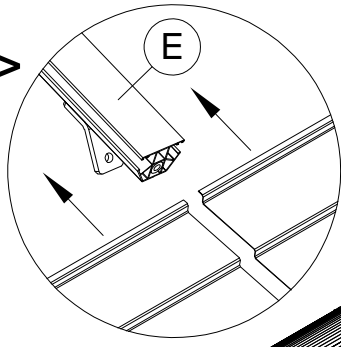
Y 4x



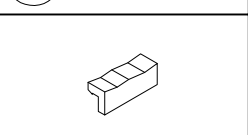
N 4x

12

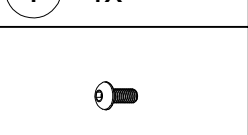
<10>



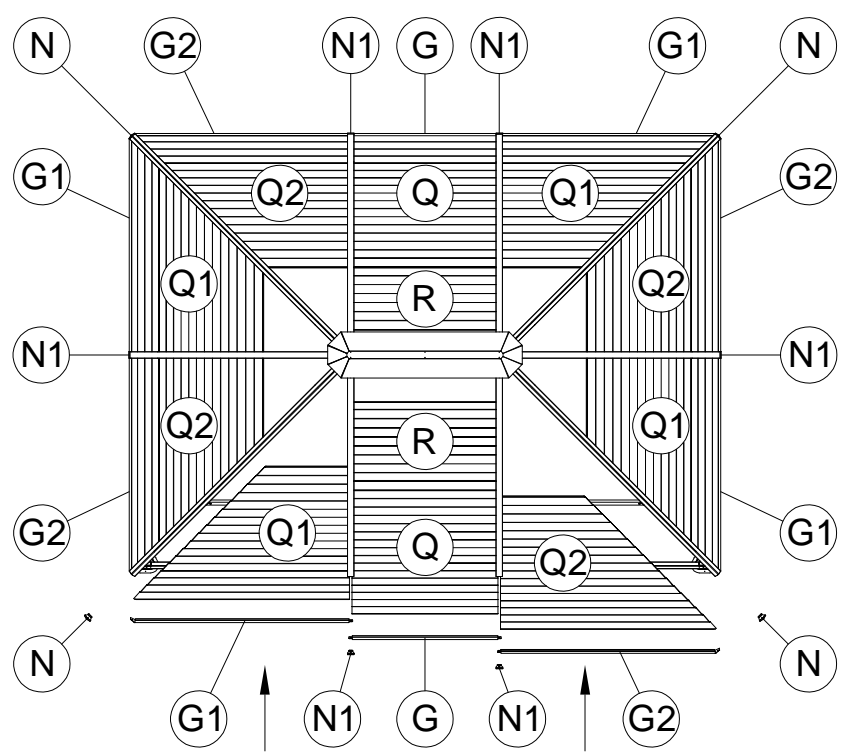
N1 6x

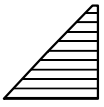


Y 4x

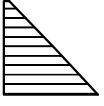


1 10x M6x15



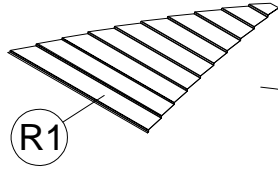
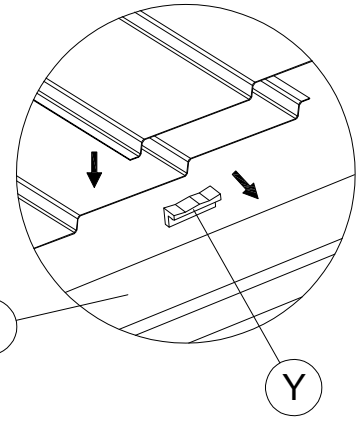


R1 4x



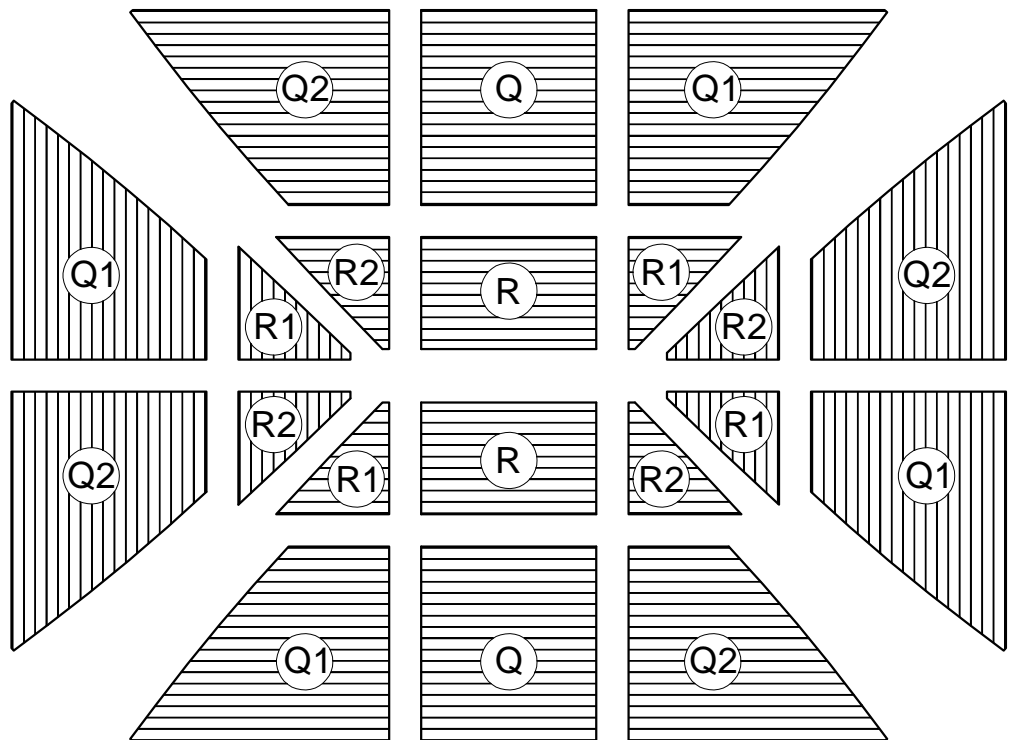
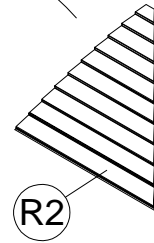
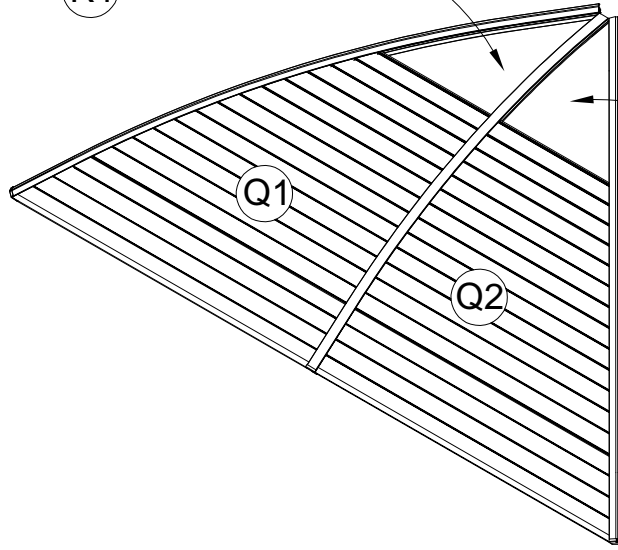
R2 4x

<11>



D or E

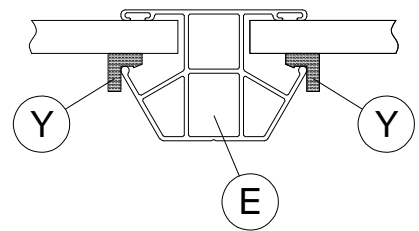
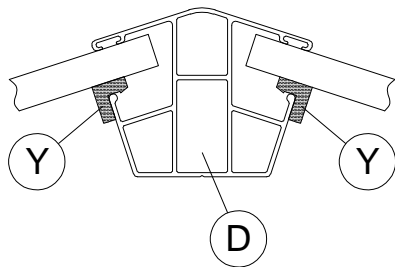
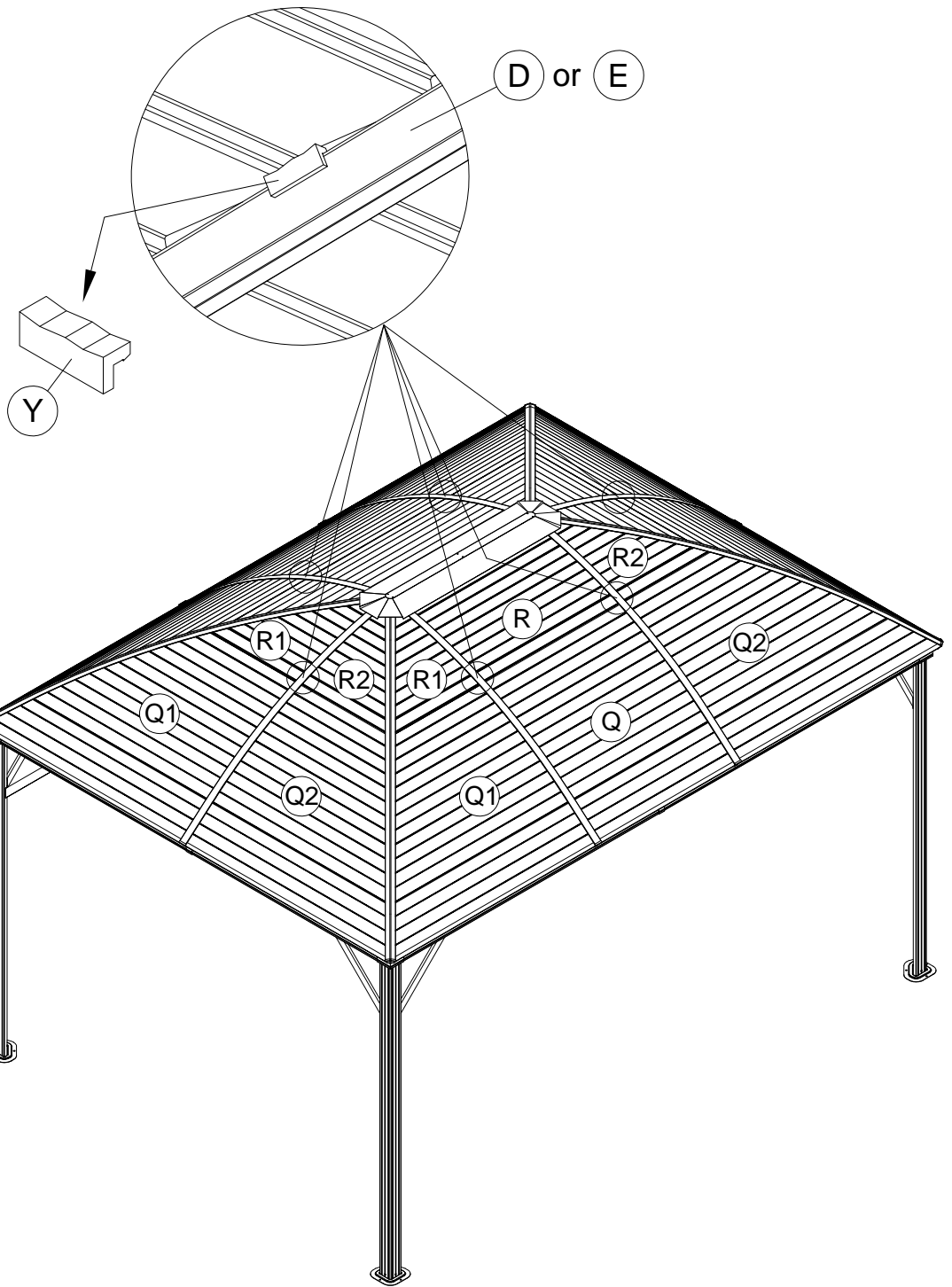
Y

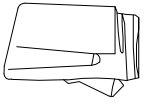




<12>

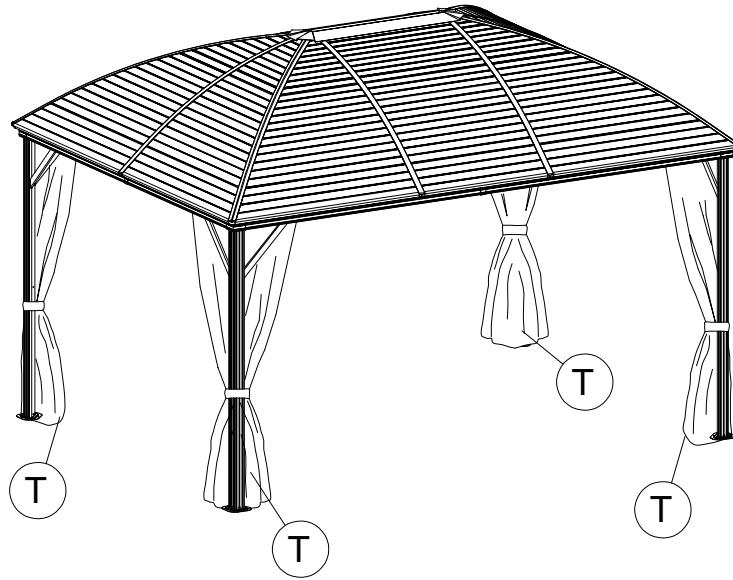
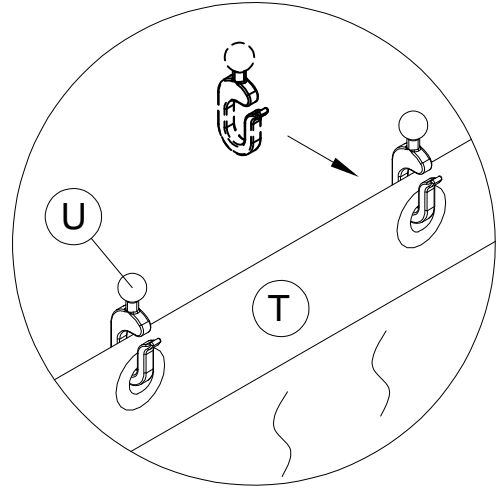
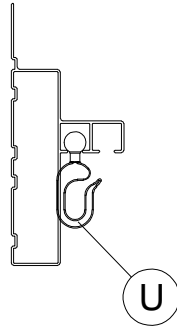
Y 16x

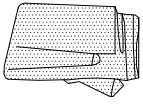




<13>

T 4x





<14>

S 4x

