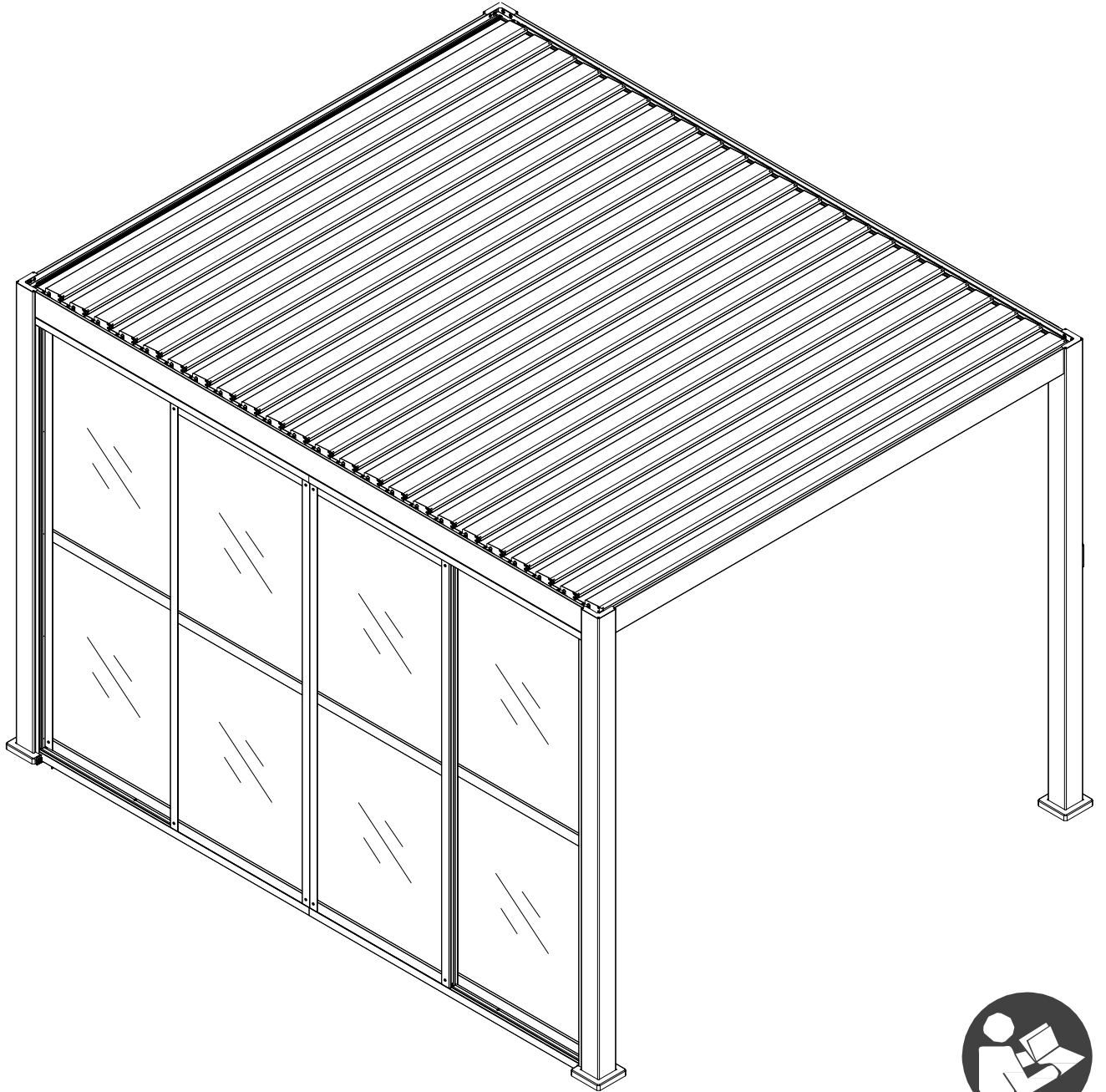


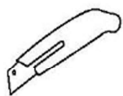
Sliding PC Doors



The tools you need:



Glove



Knife



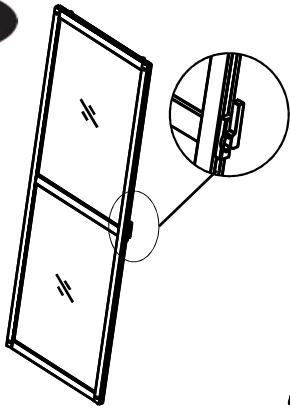
Safety hat



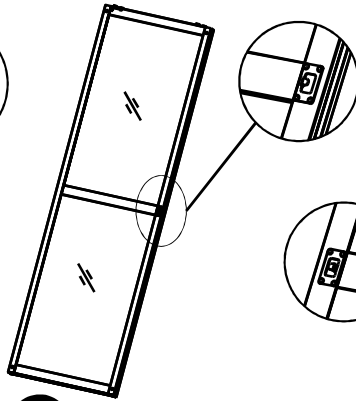
Electric screw driver



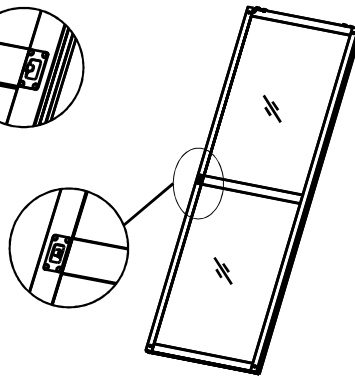
Percussion drill



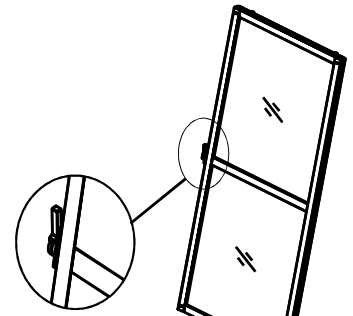
A x1



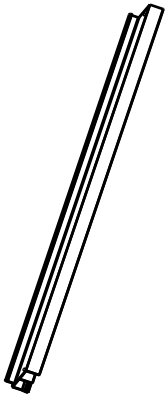
B x1



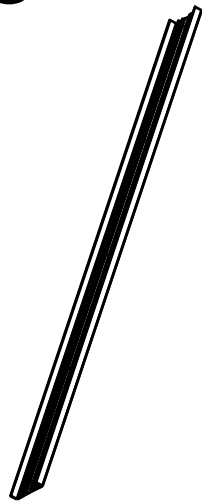
C x1



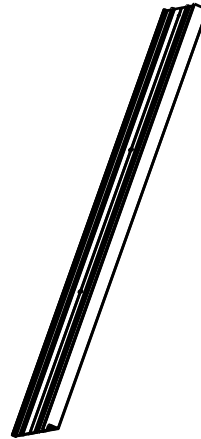
D x1



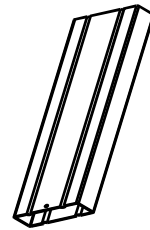
E x2



F x2



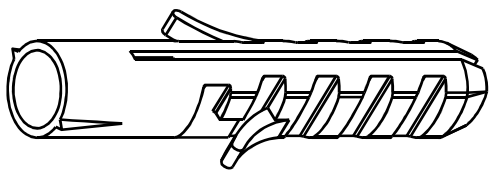
G x2



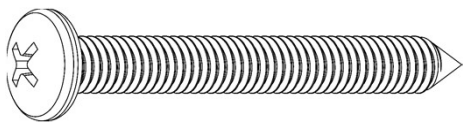
H x1



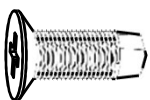
I x5



J x5



K x5



L x2

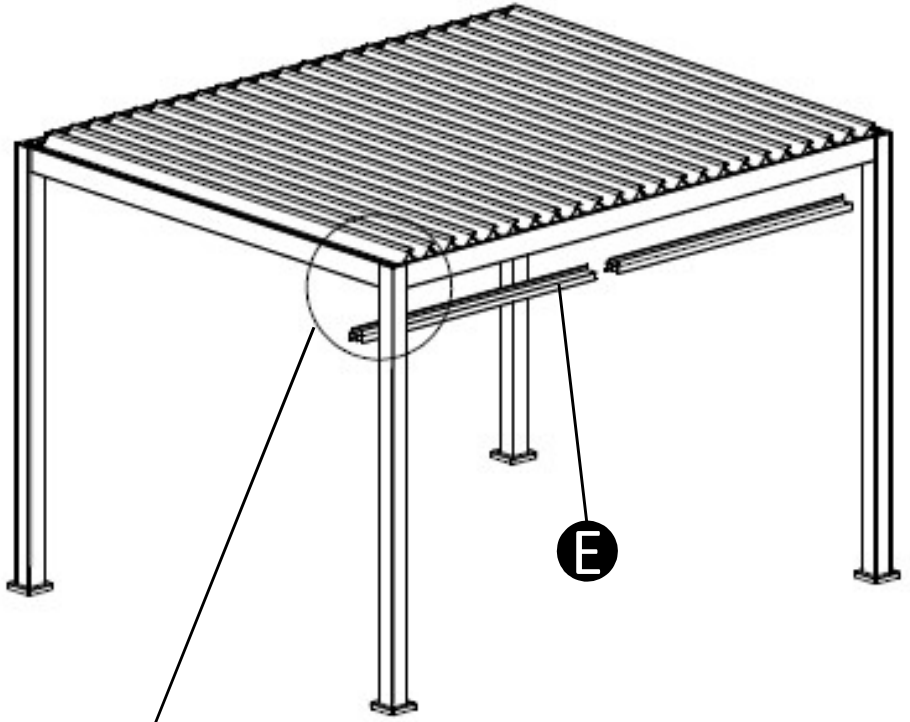


M x16





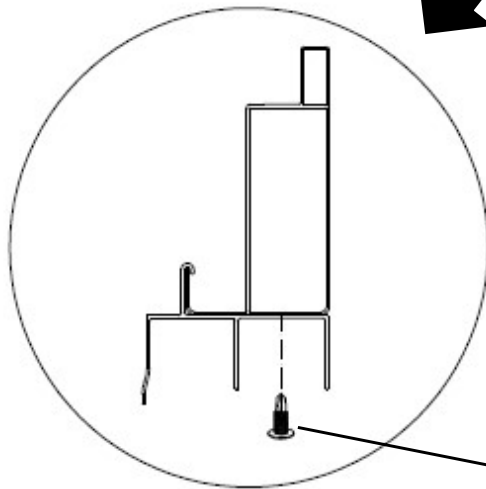
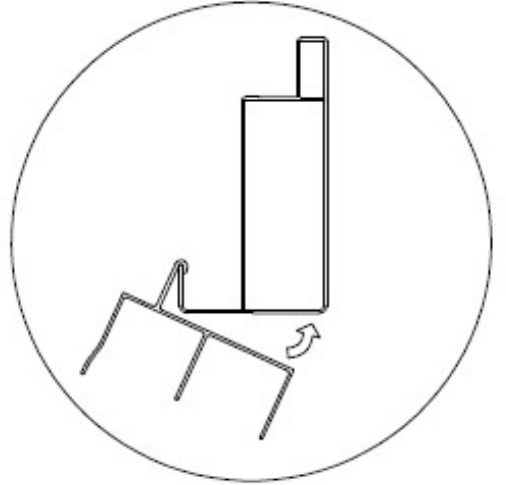
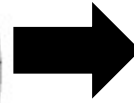
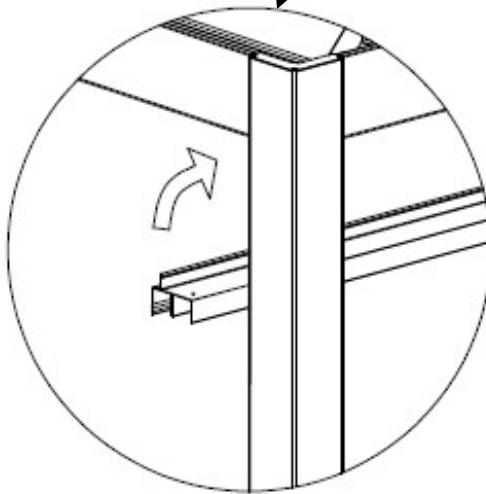
1



E x2

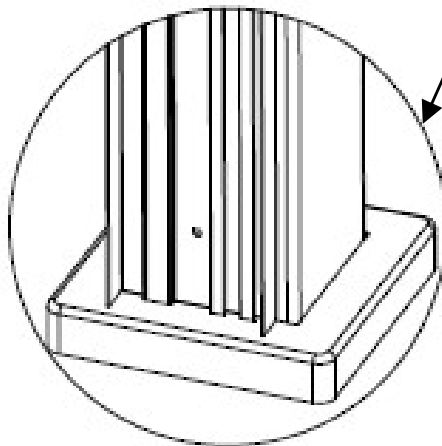
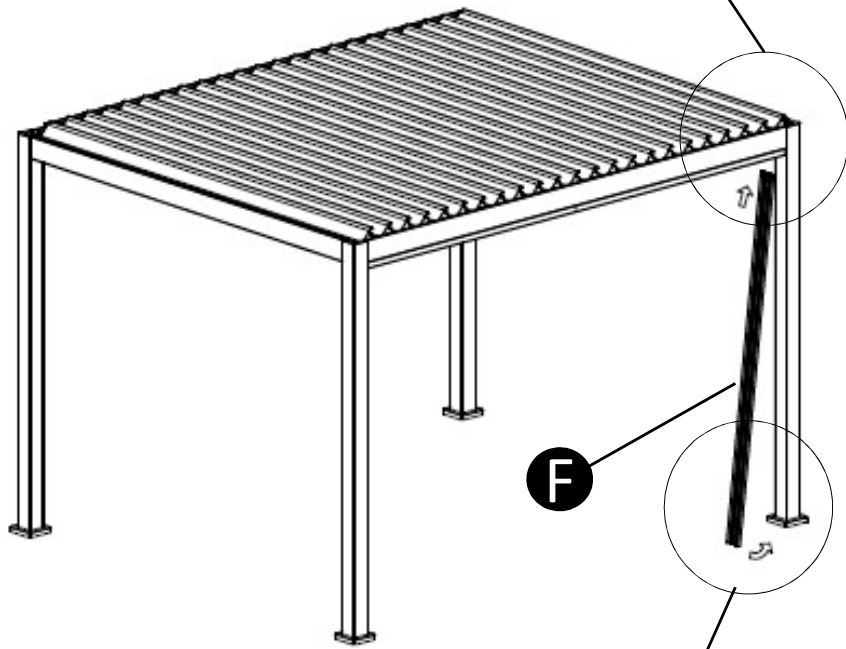
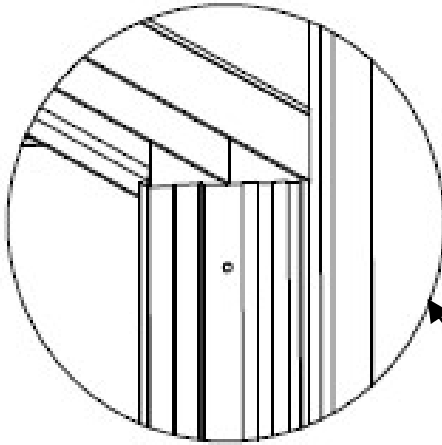


M x4



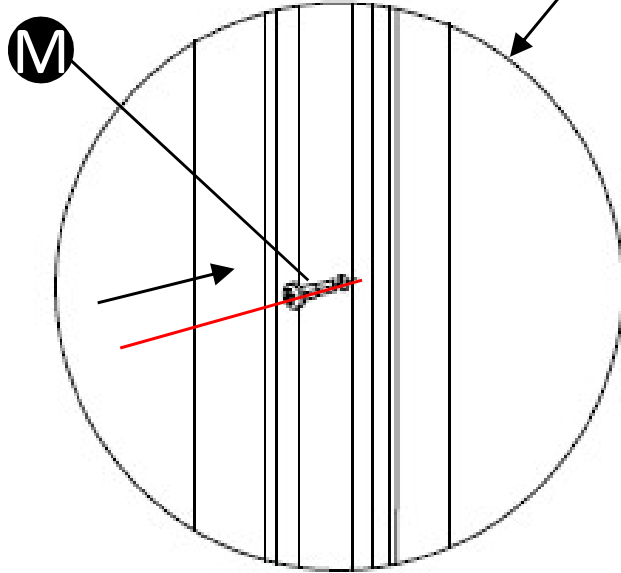
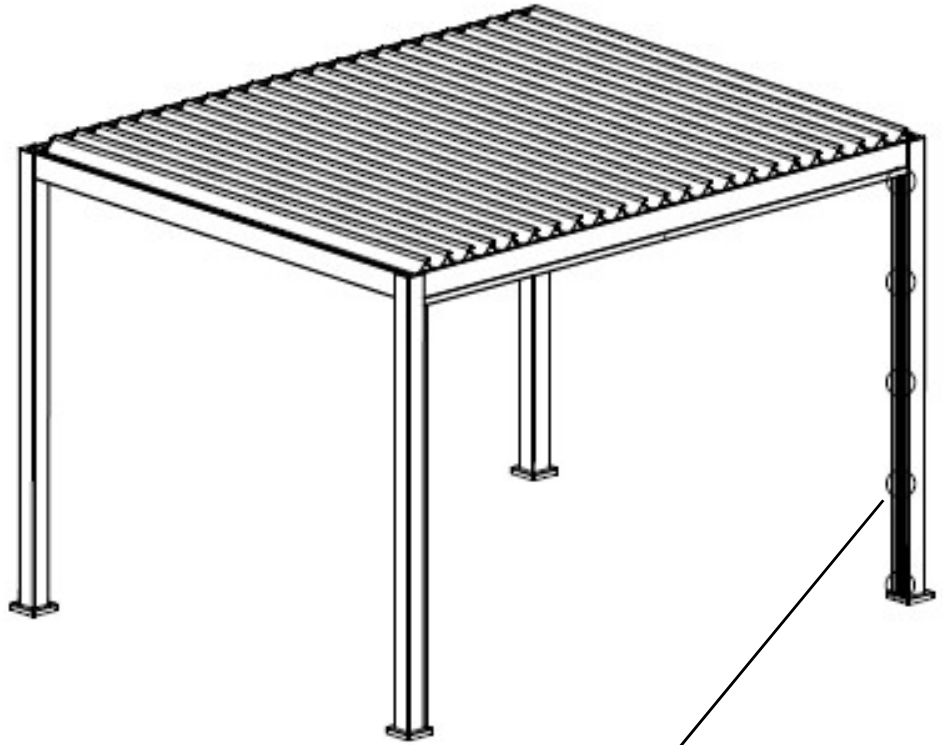


F x1





3

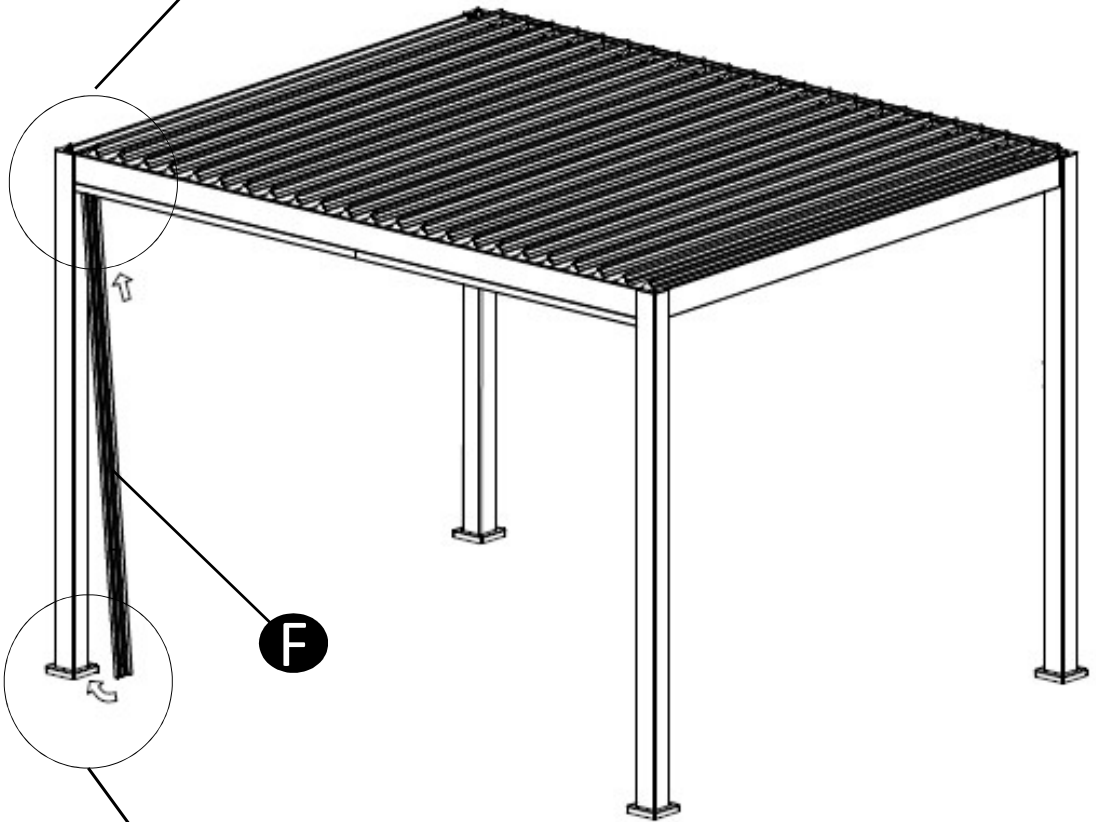
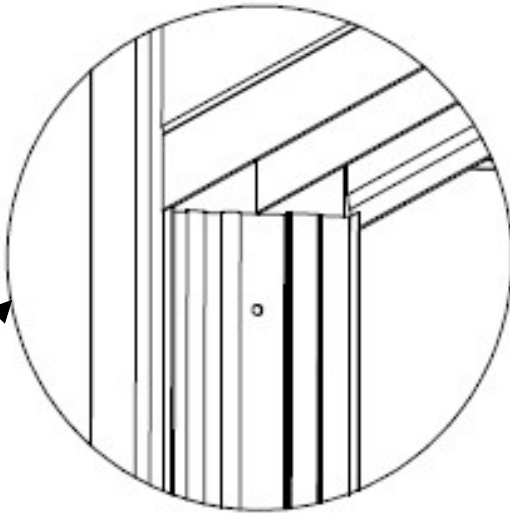


M x5

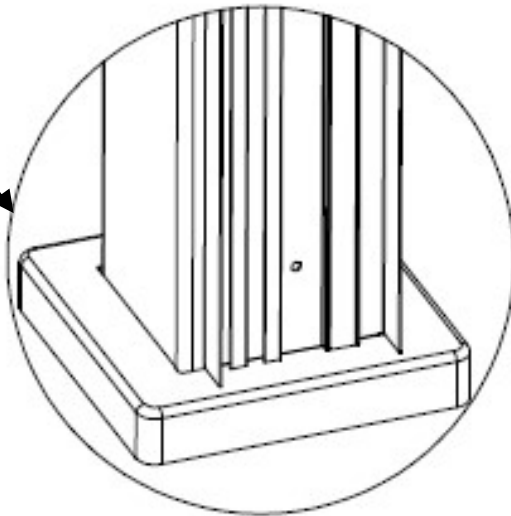
4



F x1

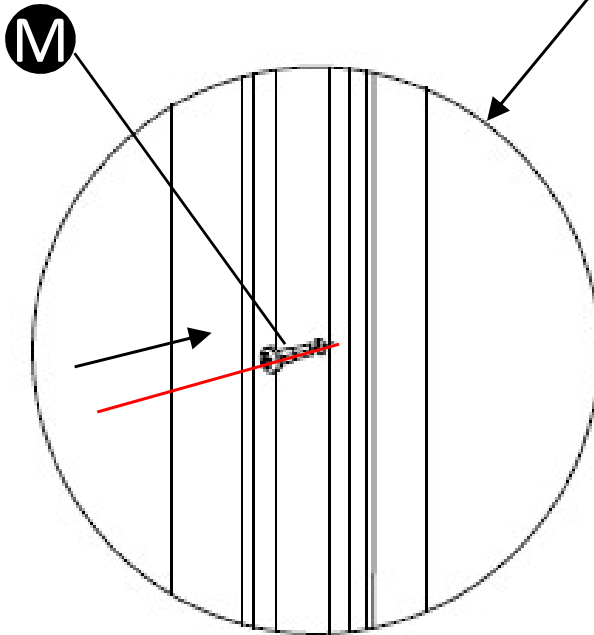
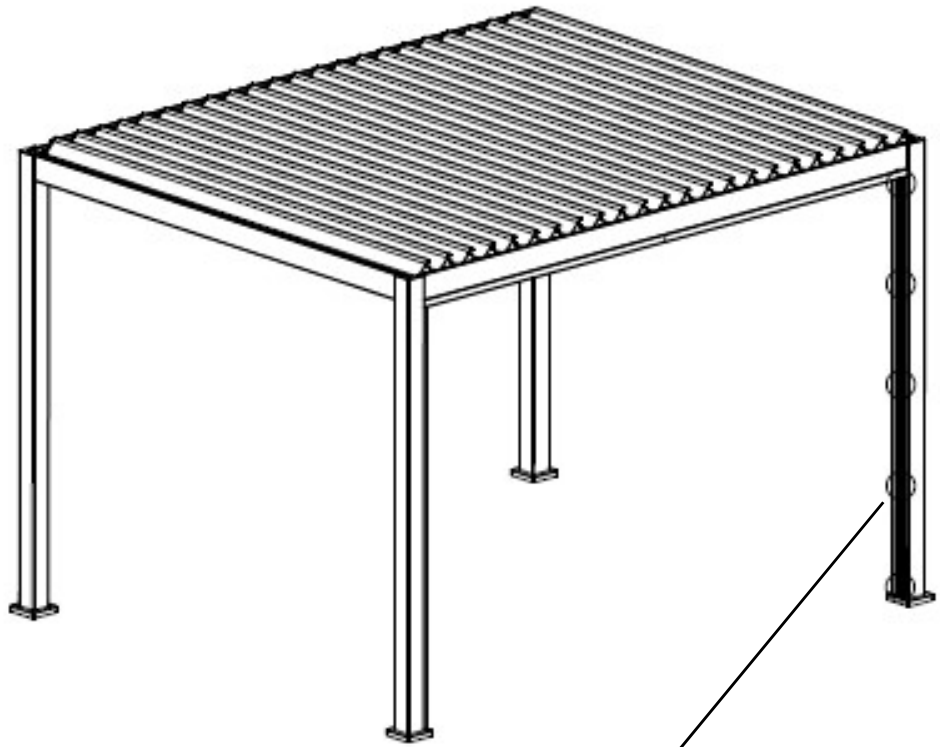


F





5



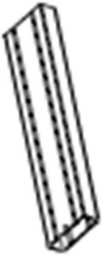
M x5



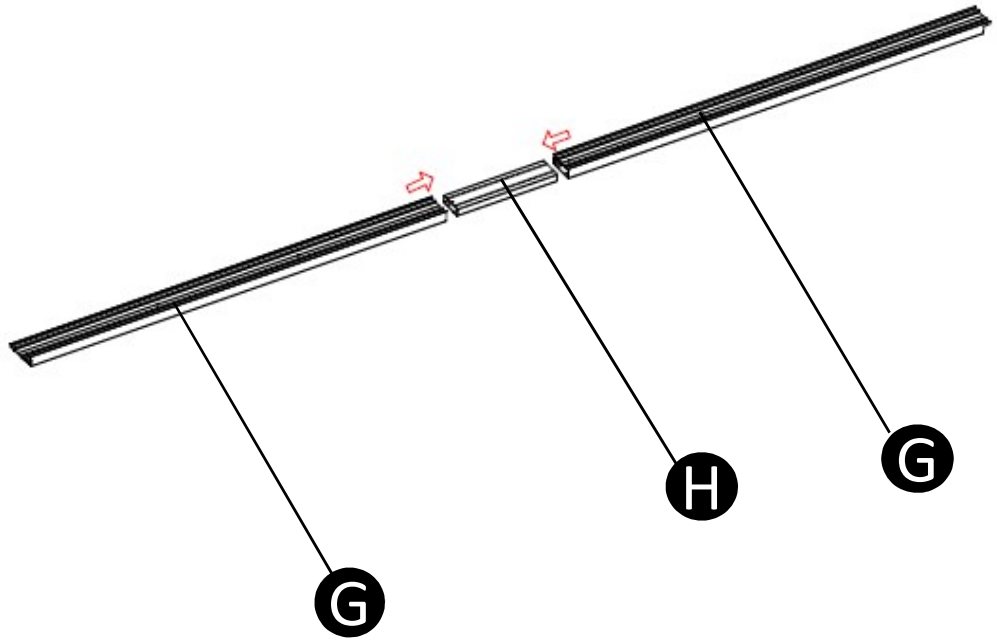
6



G x2

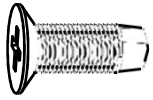


H x1

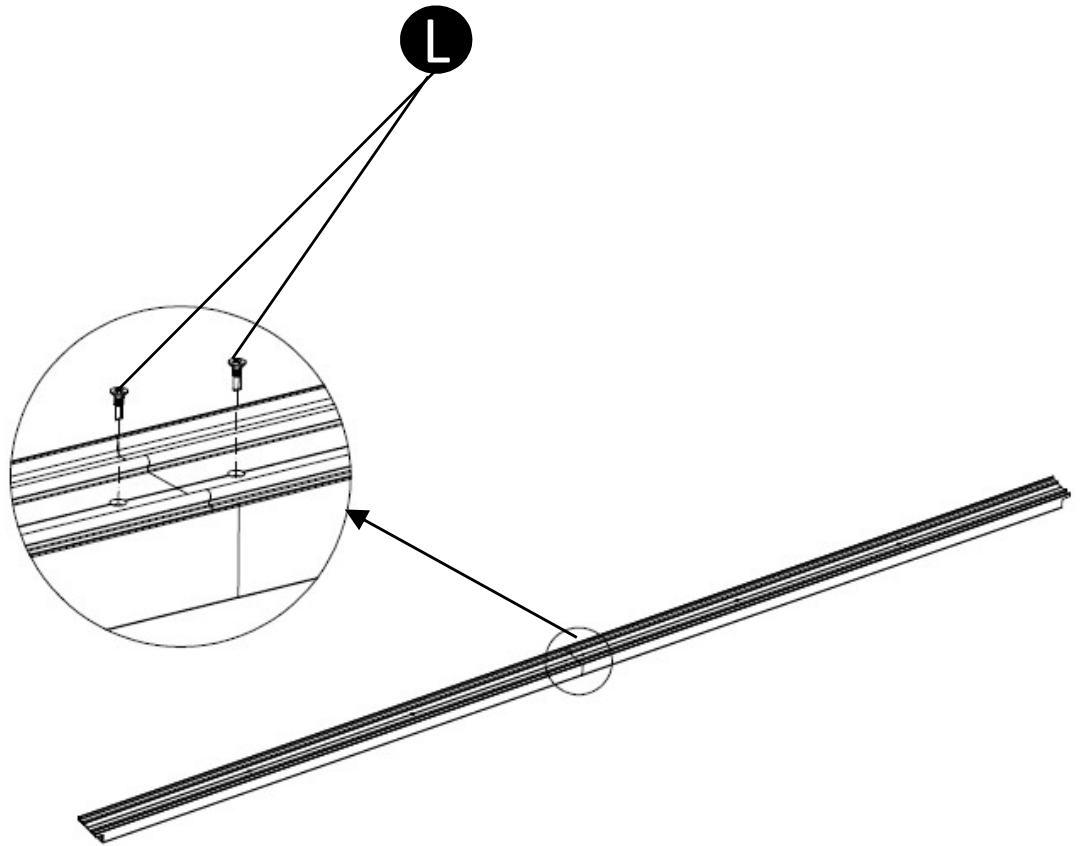




7

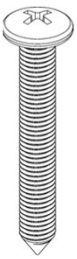


L x2

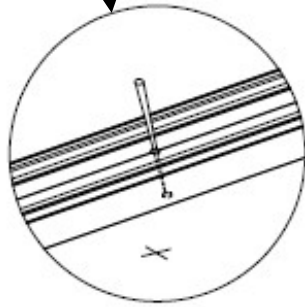
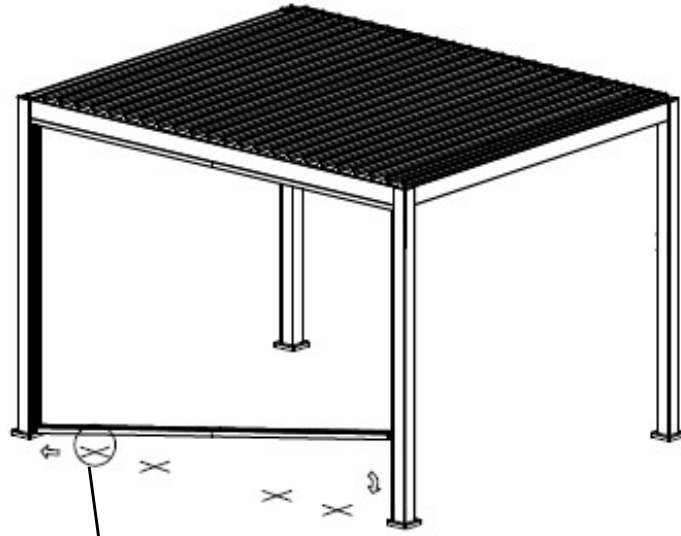




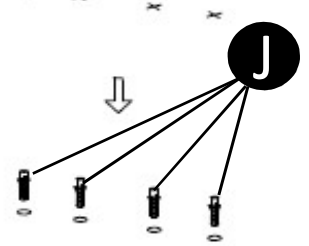
J x4



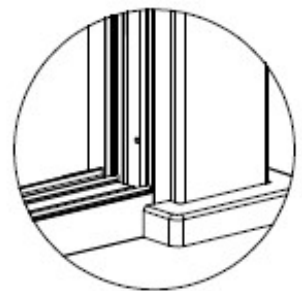
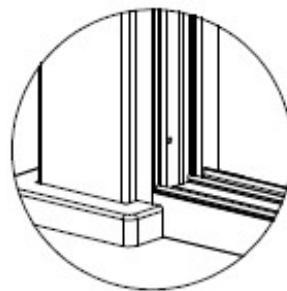
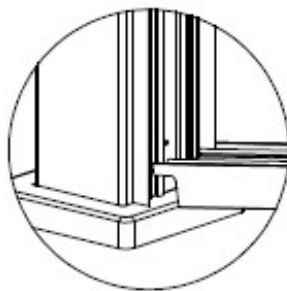
K x4



Draw lines, drill holes, tap in plastic expansion pipe.



If the floor is a wood floor, you don't need to knock in the plastic expansion pipe, directly use J to knock in the floor.

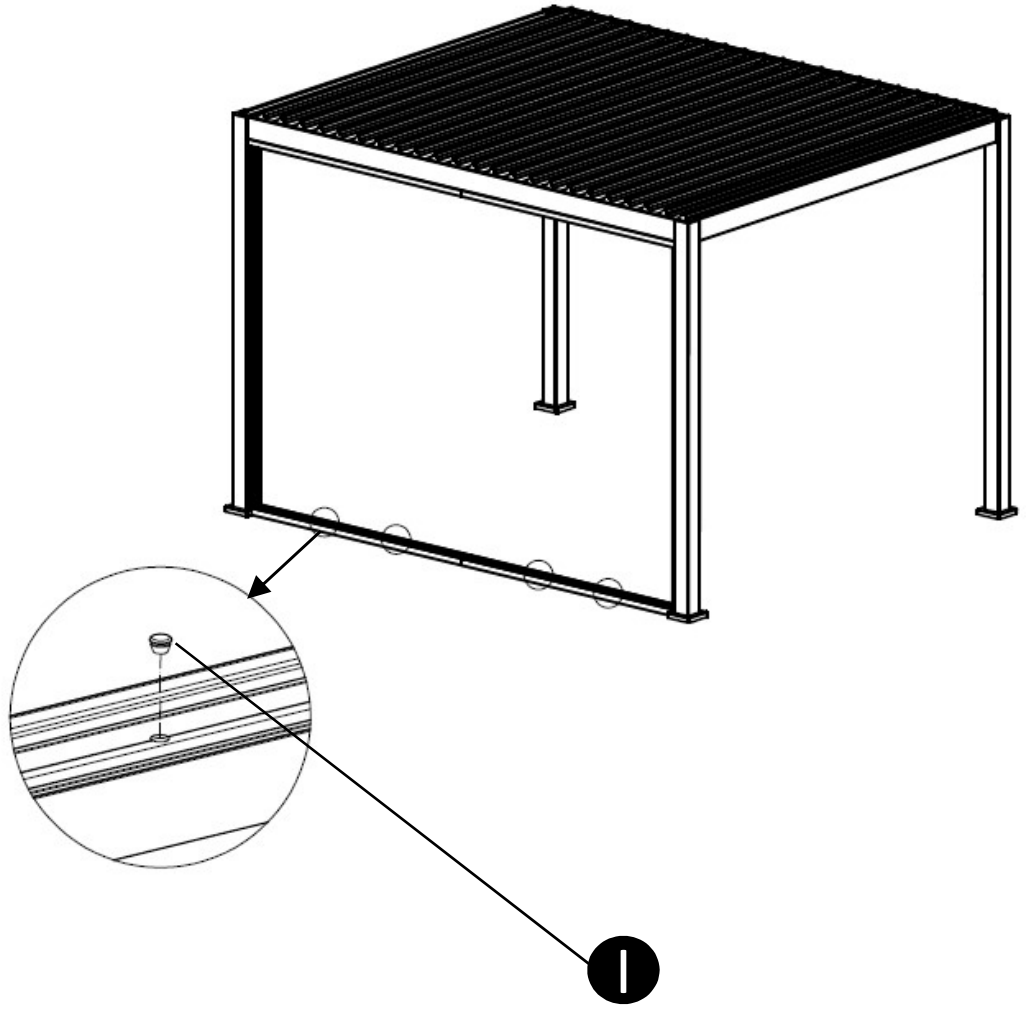


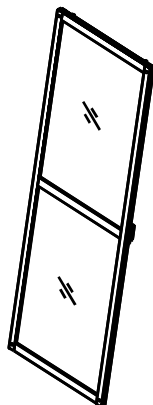


9

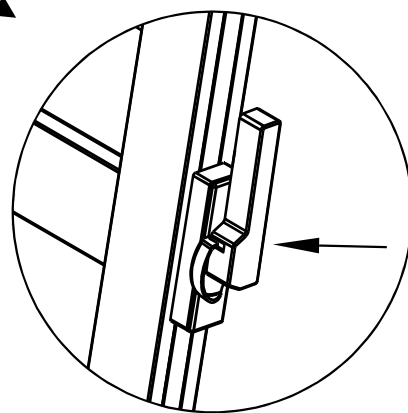
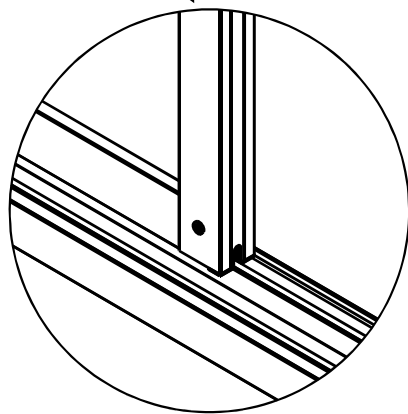
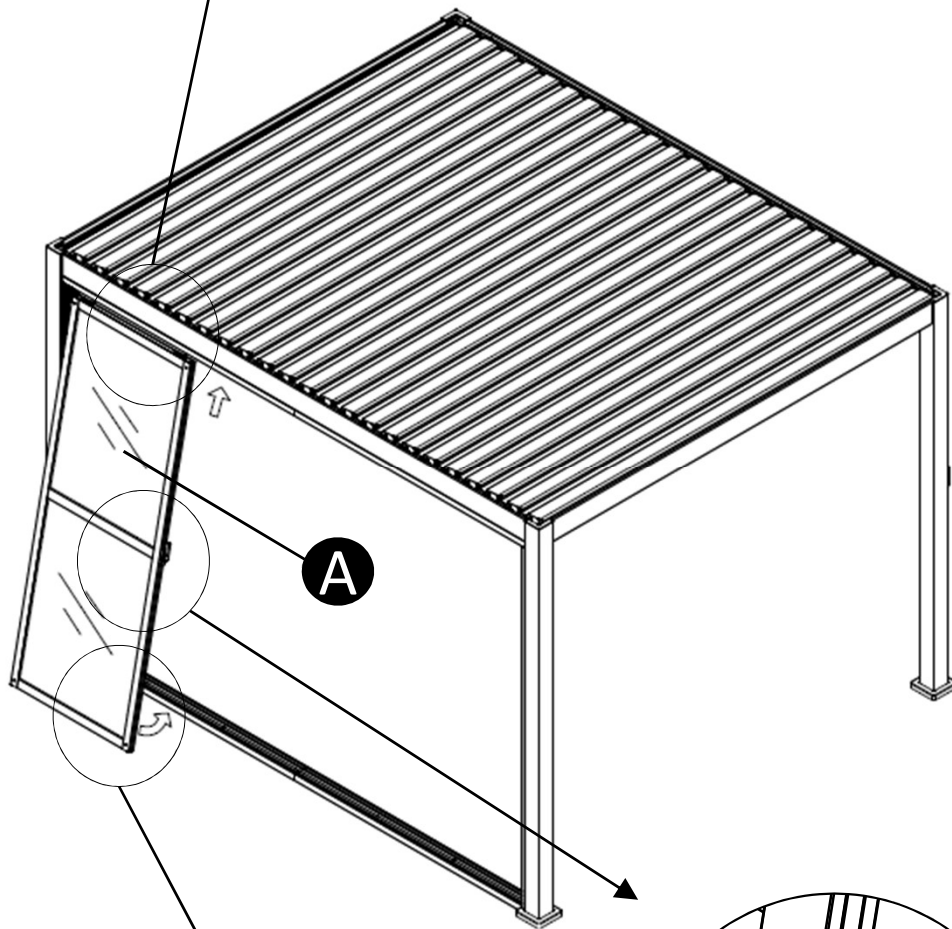
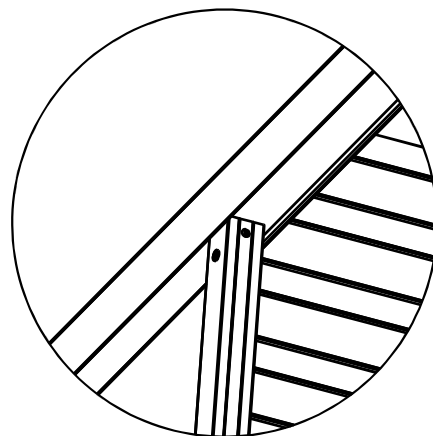
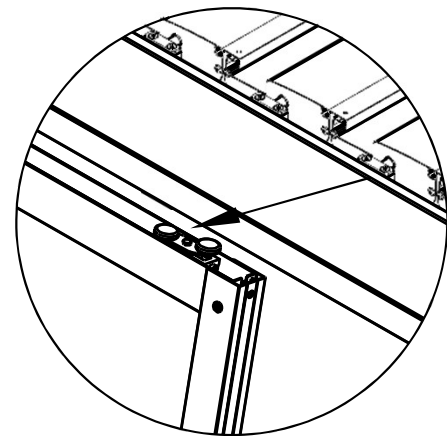


I x4



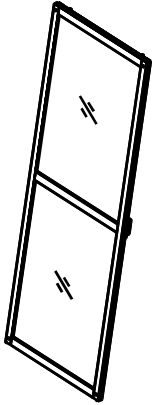
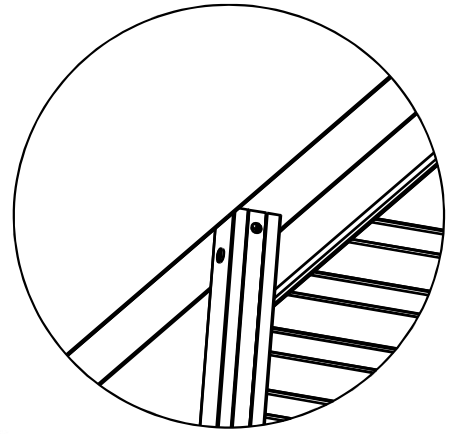
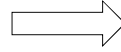
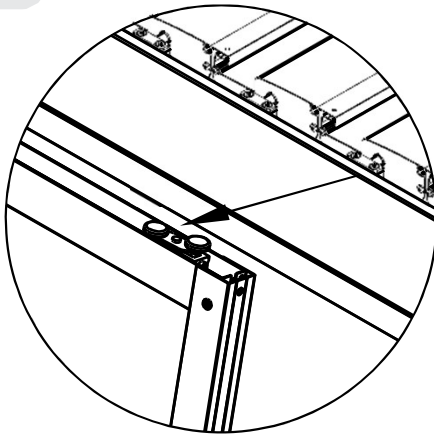


A x1

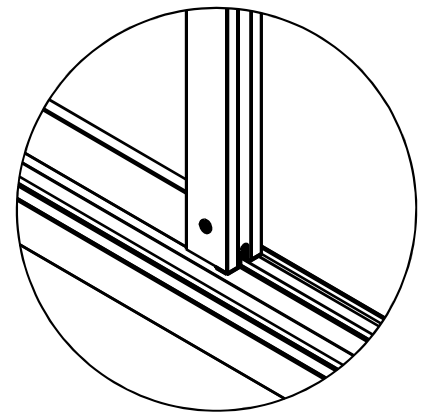
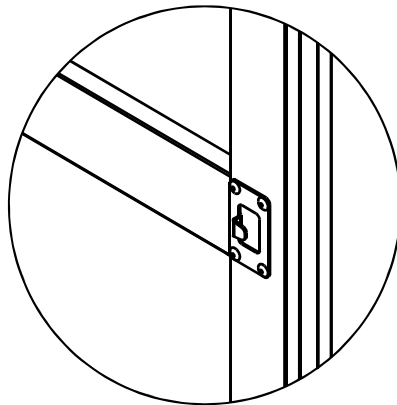
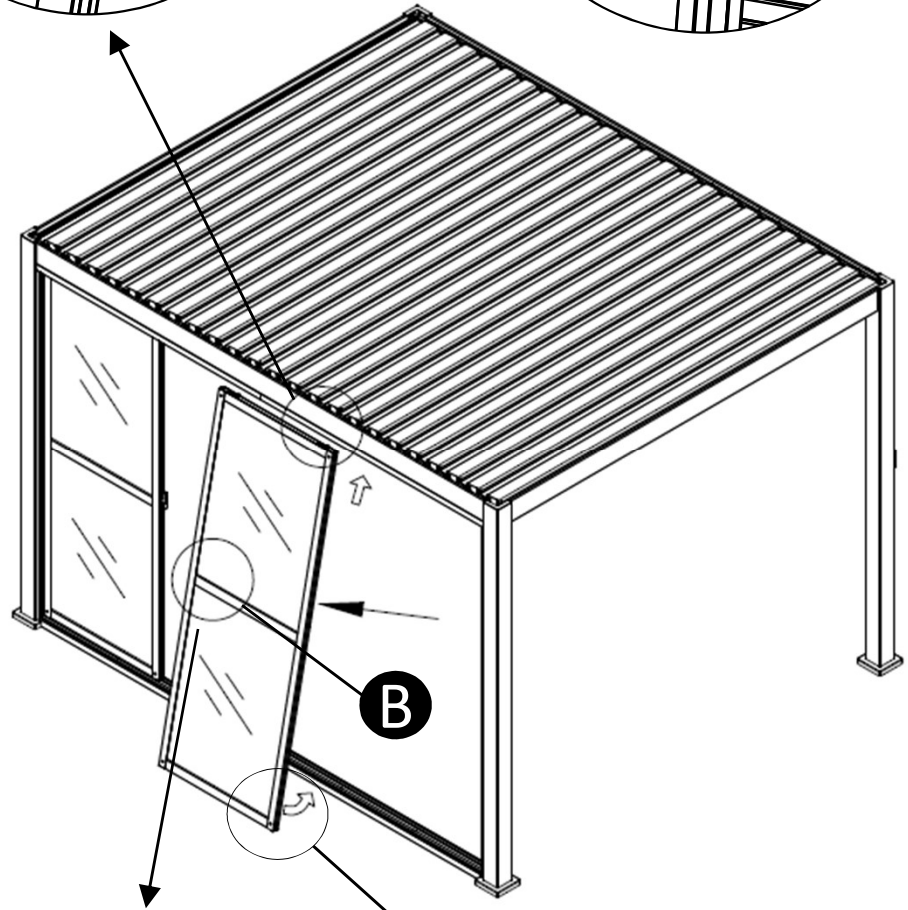


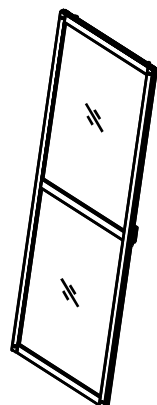
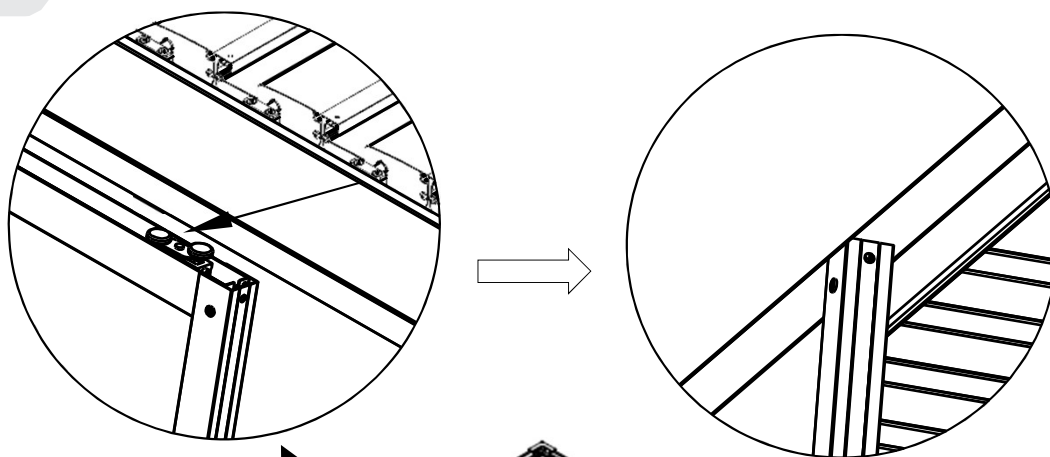


11

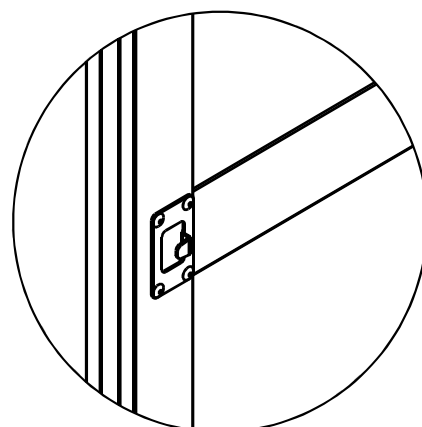
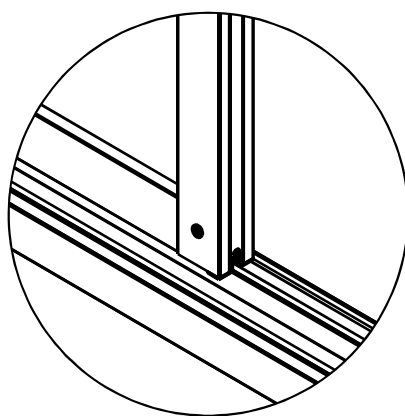
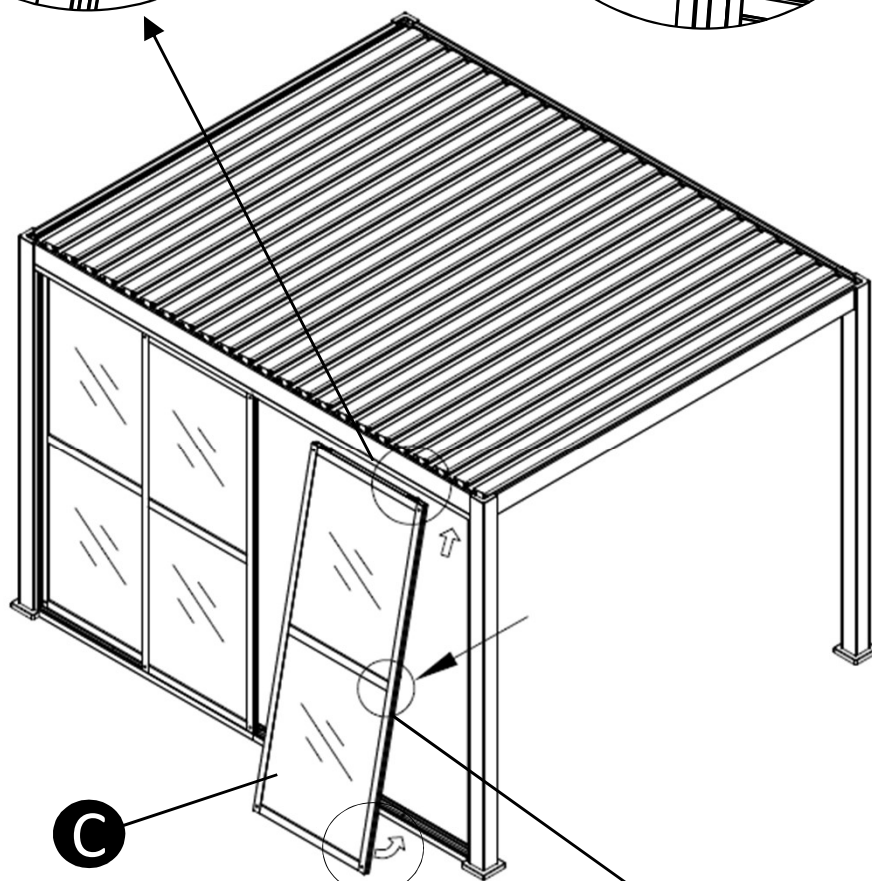


B x1



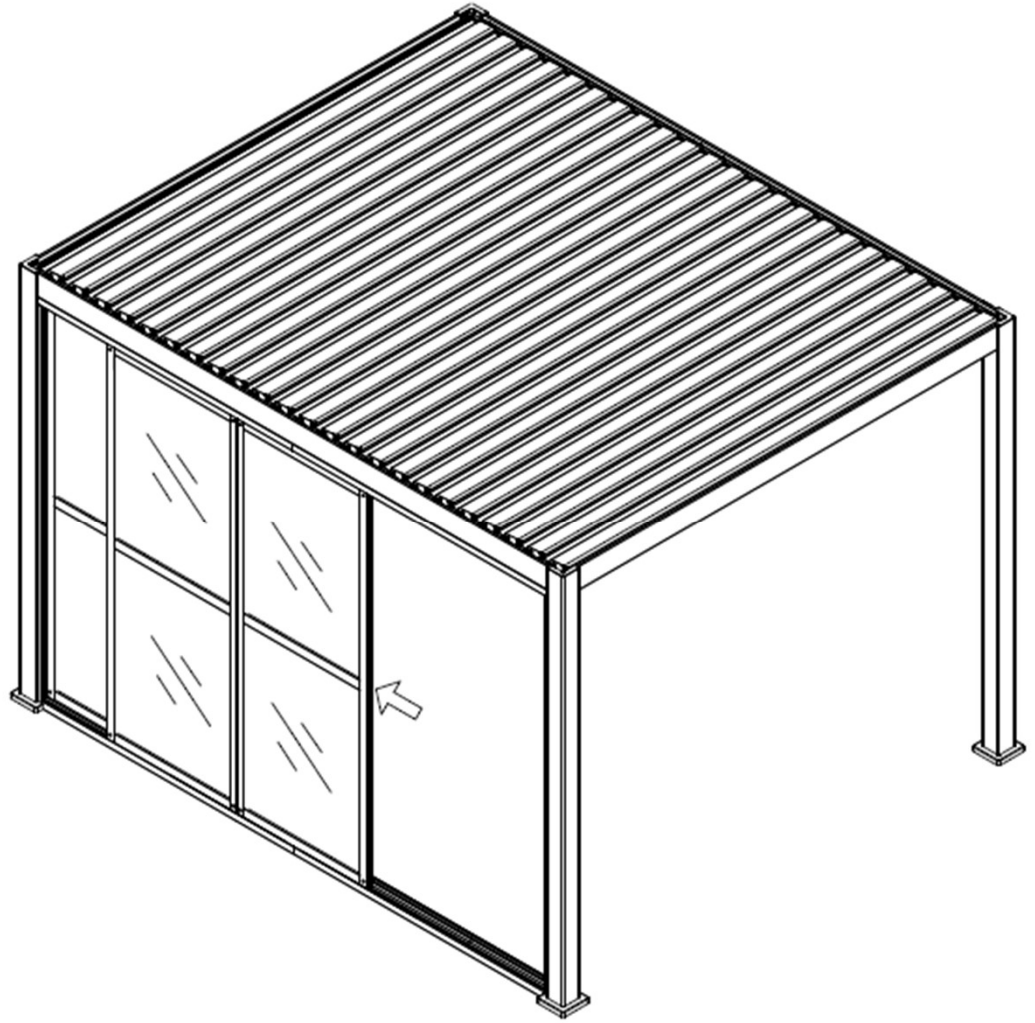


C x1



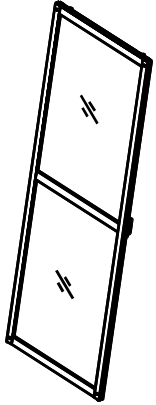
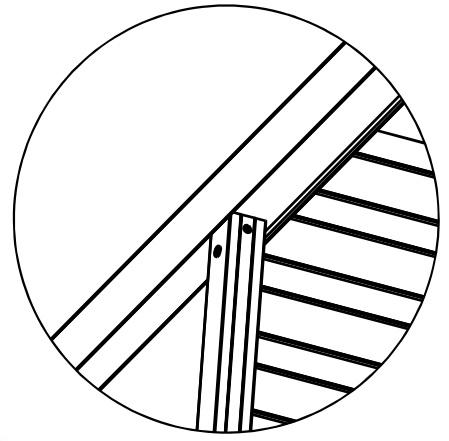
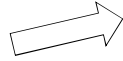
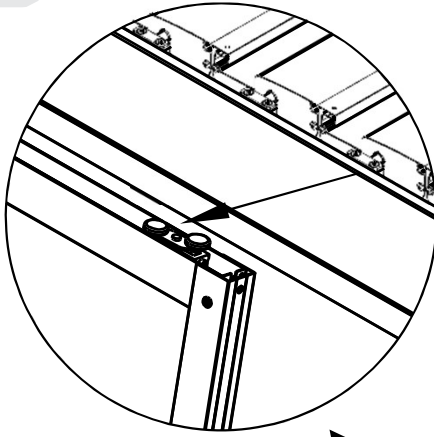


13

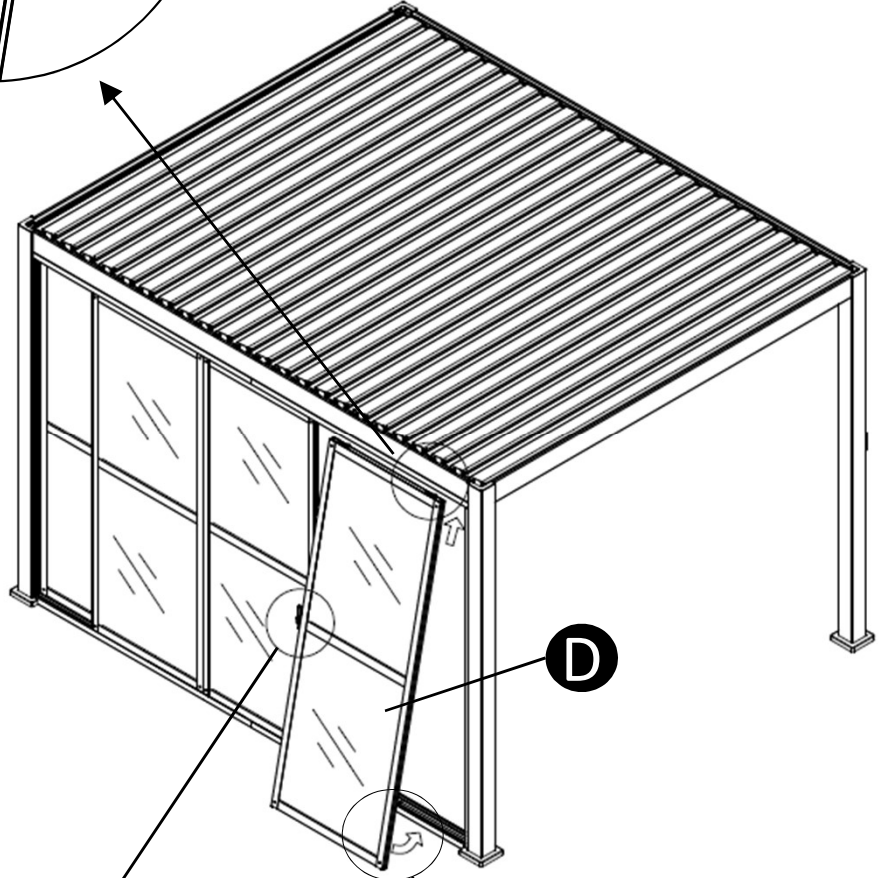




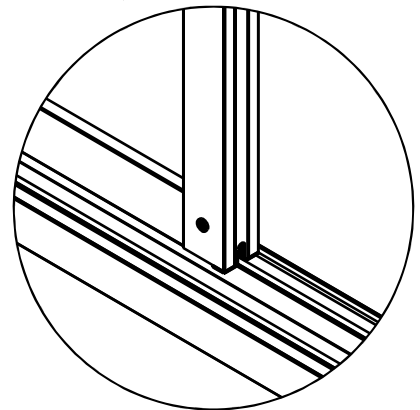
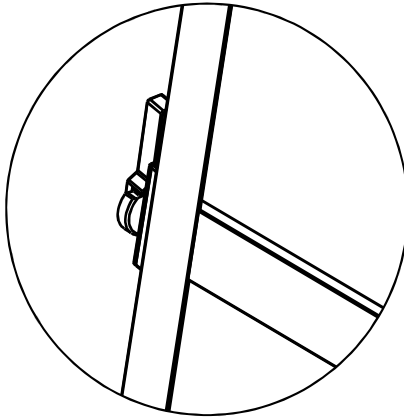
14



D x1

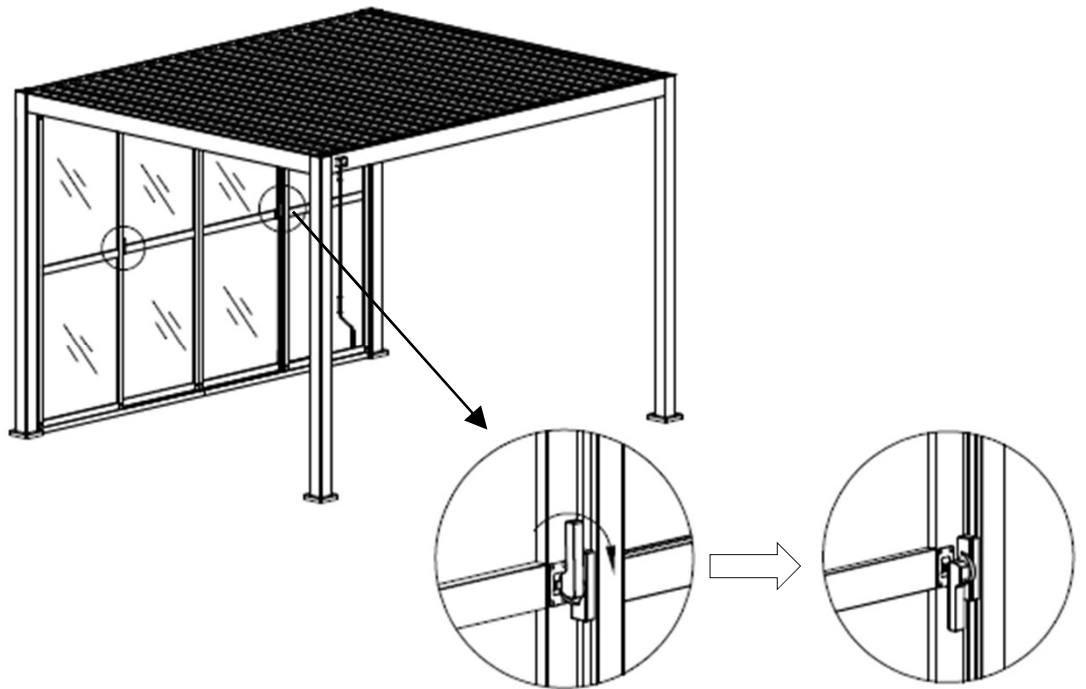
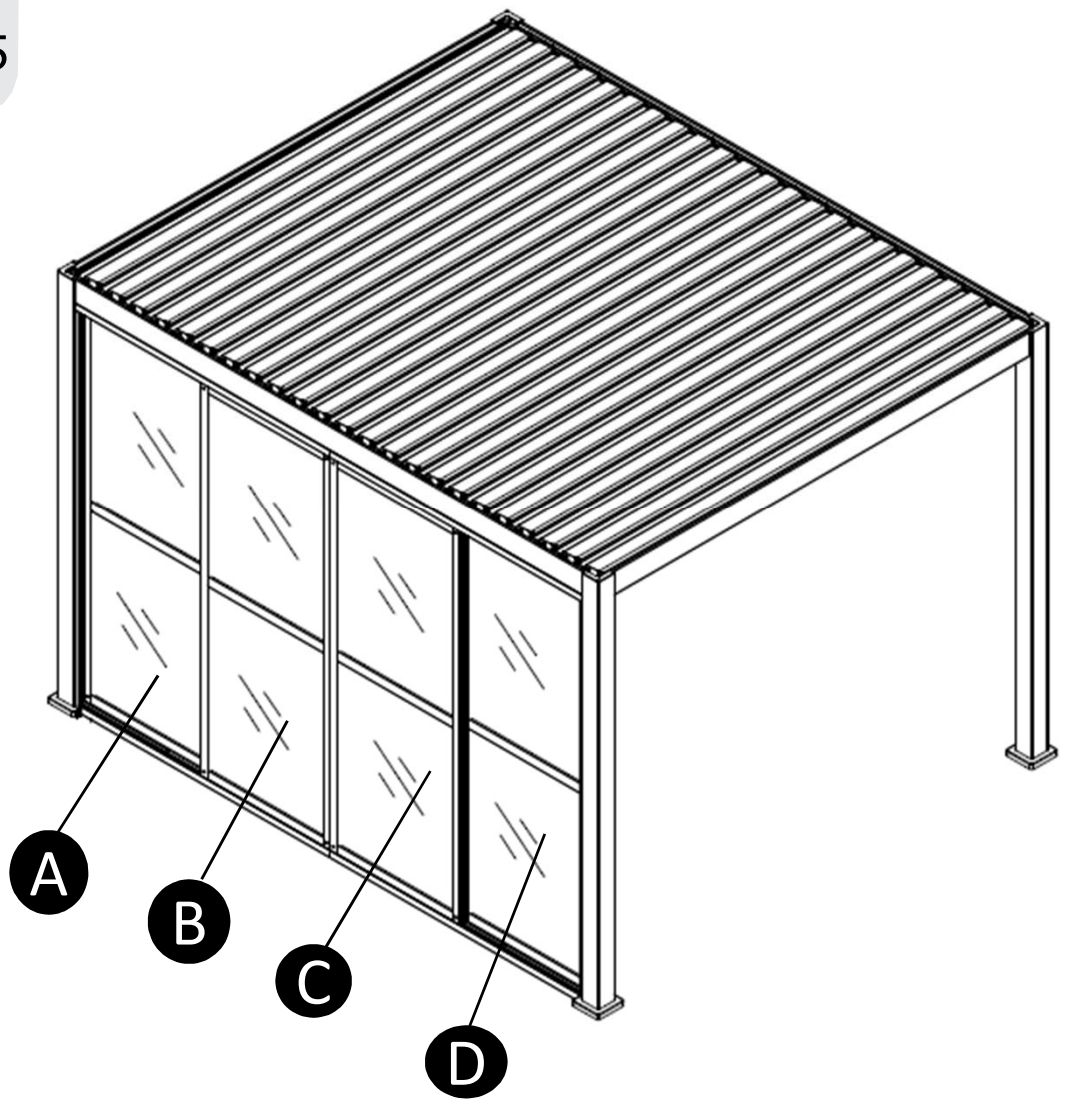


D



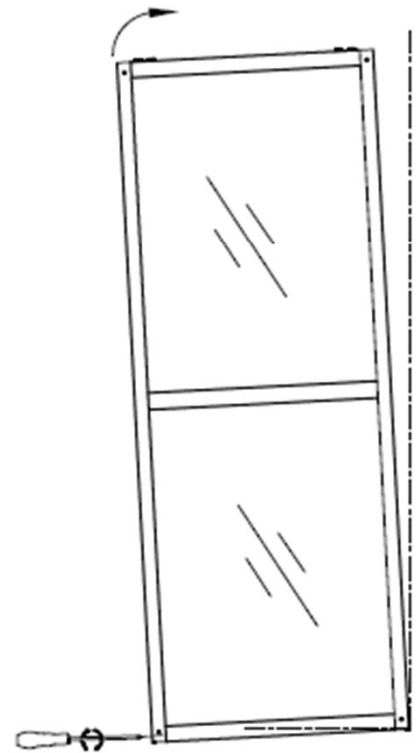
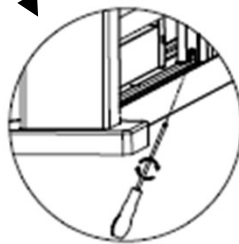
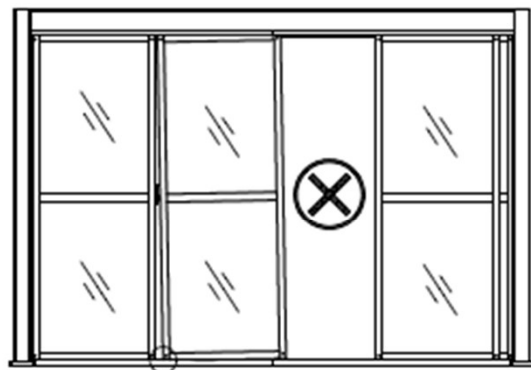
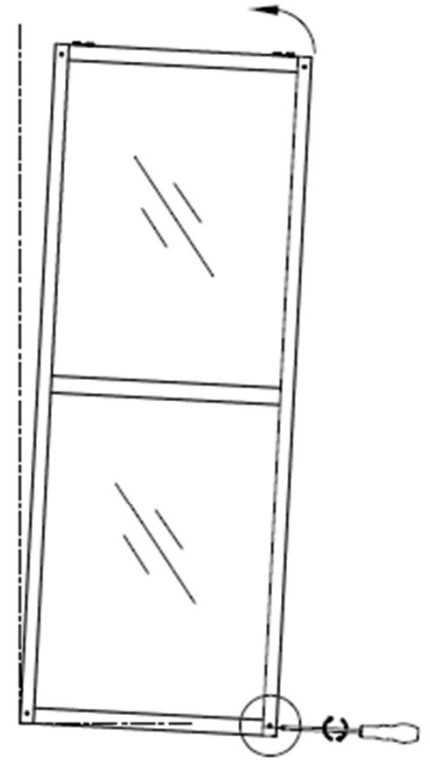
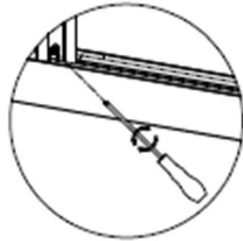
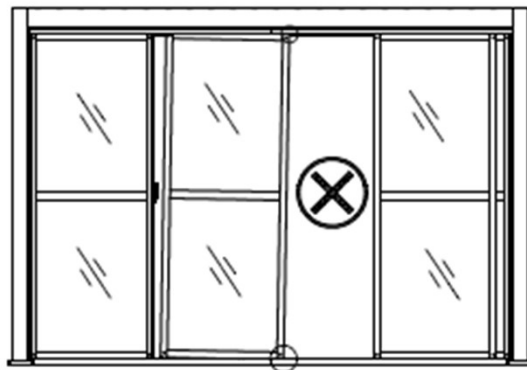


15





16





17

