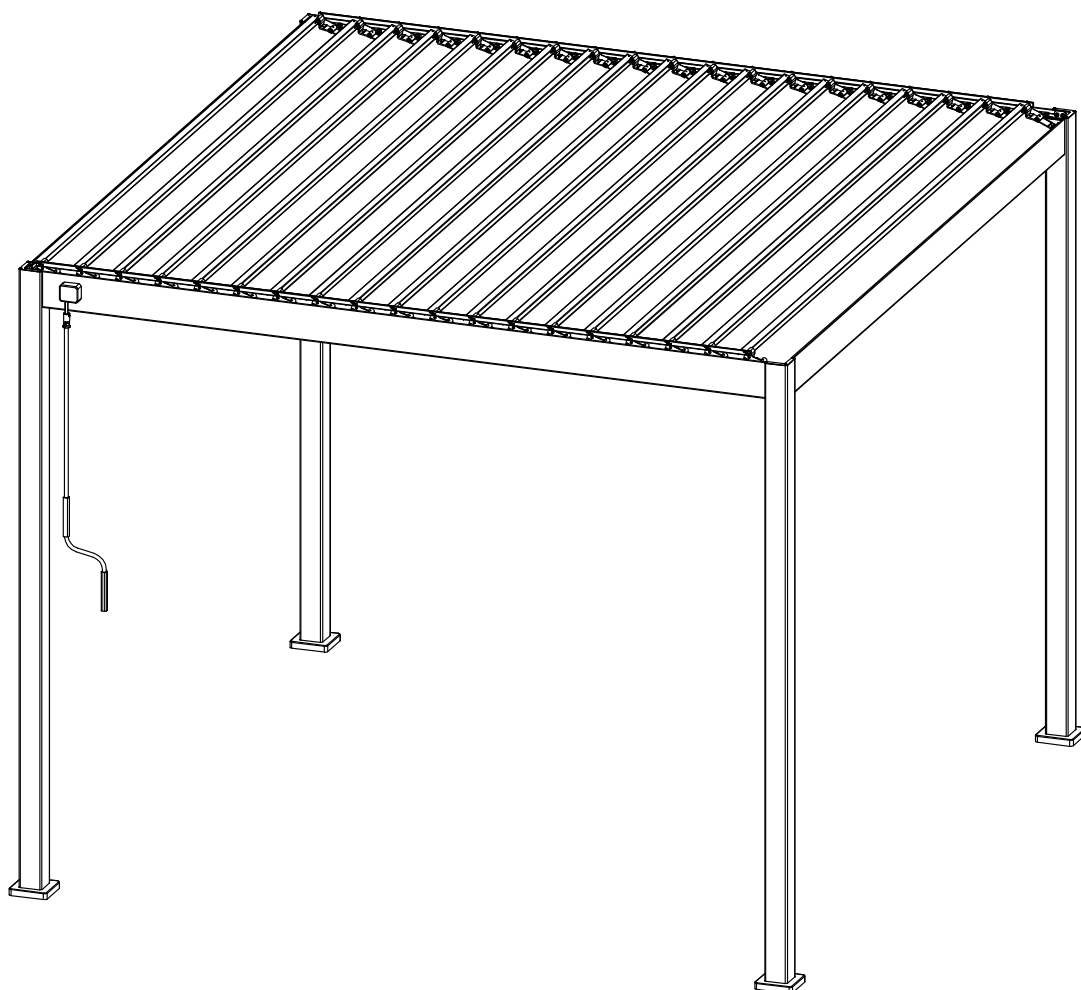


# MIRADOR<sup>®</sup> 3x3m

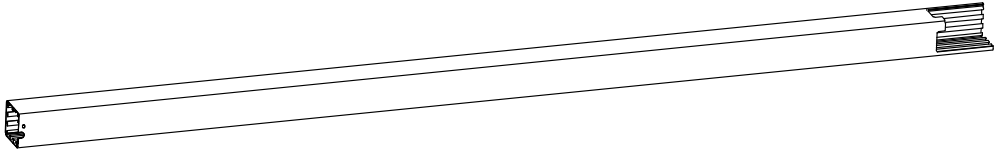
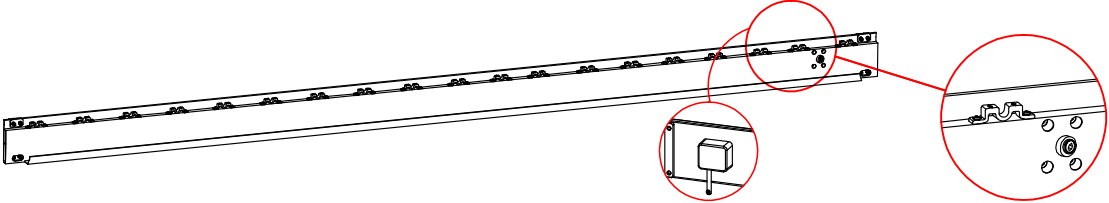
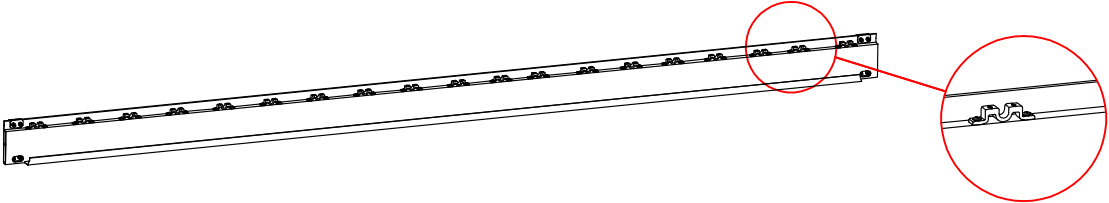
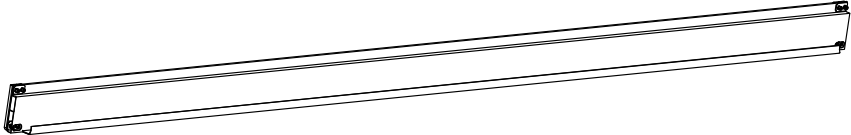
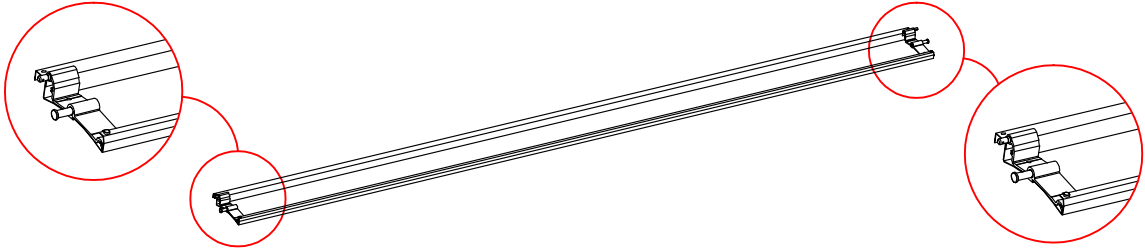
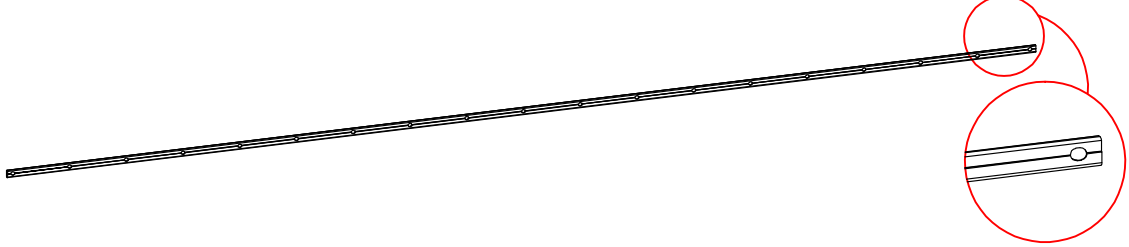
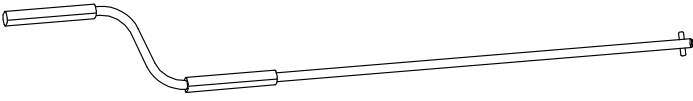
## User Manual

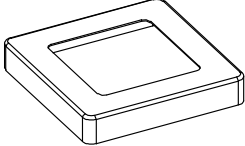
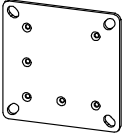
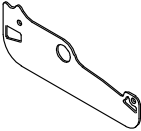
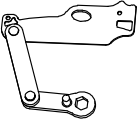
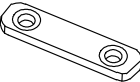
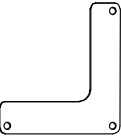
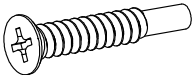
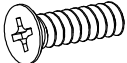


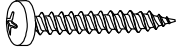

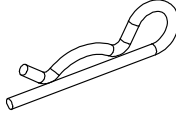
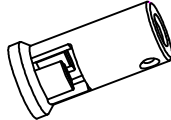
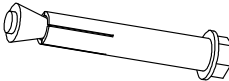



**Installation Video**



	REF	QTY	REF	QTY	REF	QTY
Carton 1/4	(A)	4PCS	(I)	4PCS	(J)	4PCS
	(K)	39PCS	(L)	1PC	(M)	40PCS
	(N)	4PCS	(O)	26PCS	(P)	80PCS
	(Q)	80PCS	(R)	14PCS	(S)	44PCS
	(V)	1PC	(W)	16PCS	(X)	1PC
	(Y)	2PCS	(Z)	1PC		
	User Manual	1SET				
Carton 2/4	(B1)	1PC	(B2)	1PC	(C)	2PCS
	(G)	2PCS	(H)	1PC		
Carton 3/4	(D)	10PCS				
Carton 4/4	(D)	9PCS				

REF	PICTURE	QTY
A		4PCS
B1		1PC
B2		1PC
C		2PCS
D		19PCS
G		2PCS
H		1PC

REF	PICTURE	QTY
I		4PCS
J		4PCS
K		39PCS
L		1PC
M		40PCS
N		4PCS
O		26PCS
P	 M5x12mm	80PCS

REF	PICTURE	QTY
Q	 ST4.2x25mm	80PCS
R	 ST5.5x19mm	14PCS
S		44PCS
V		1PC
W		16PCS
X		1PC
Y		2PCS
Z	 Ø12mm	1PC

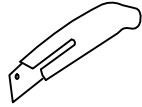
# Warning

In snow season or in case of snow forecast open up your shutters in vertical position to avoid any damaging on your pergola.

## What you need?



glove



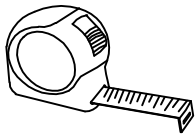
knife



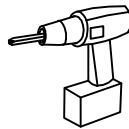
hammer



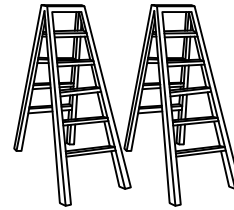
Safety hat



tapeline

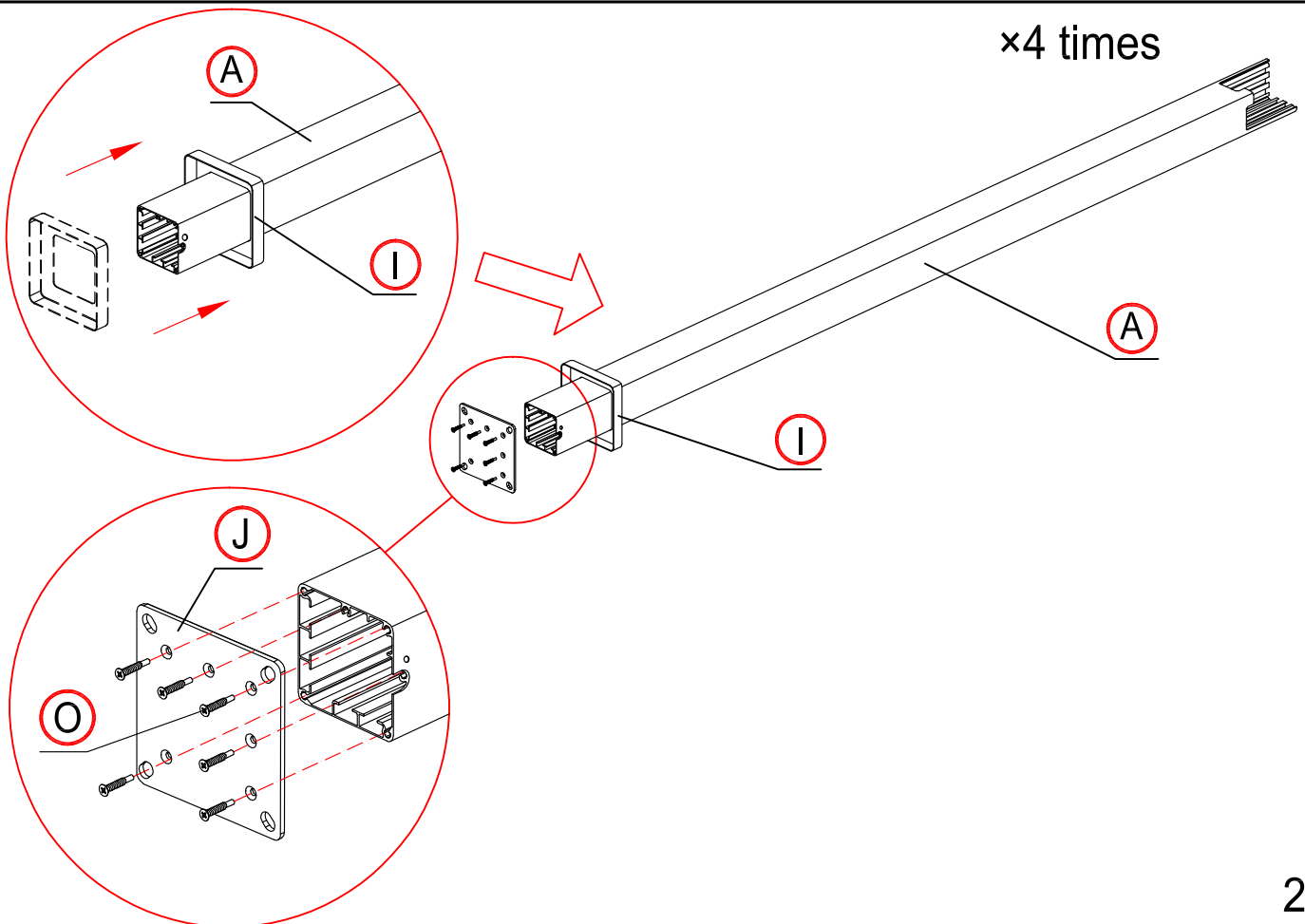


electric screw driver



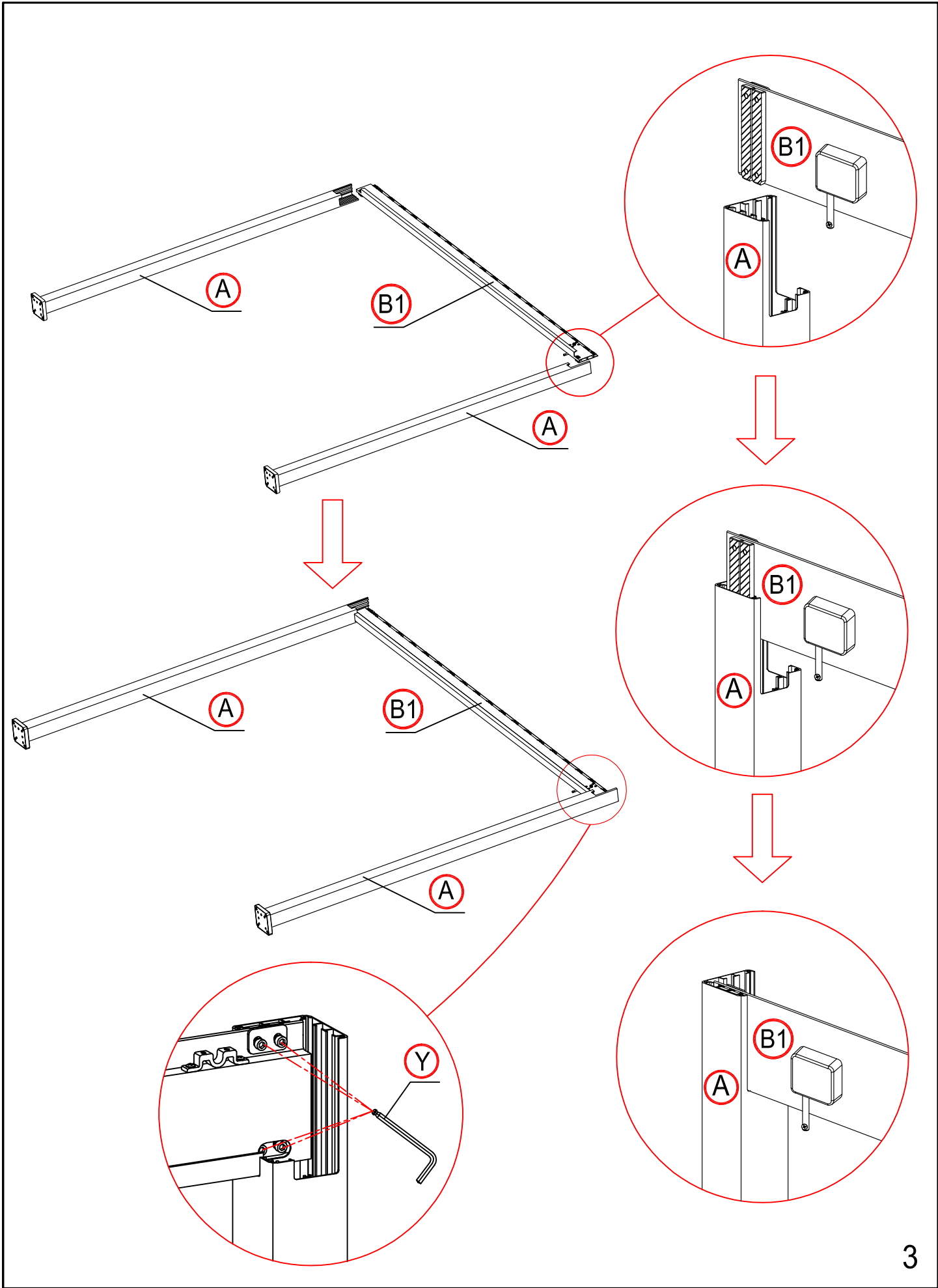
ladder

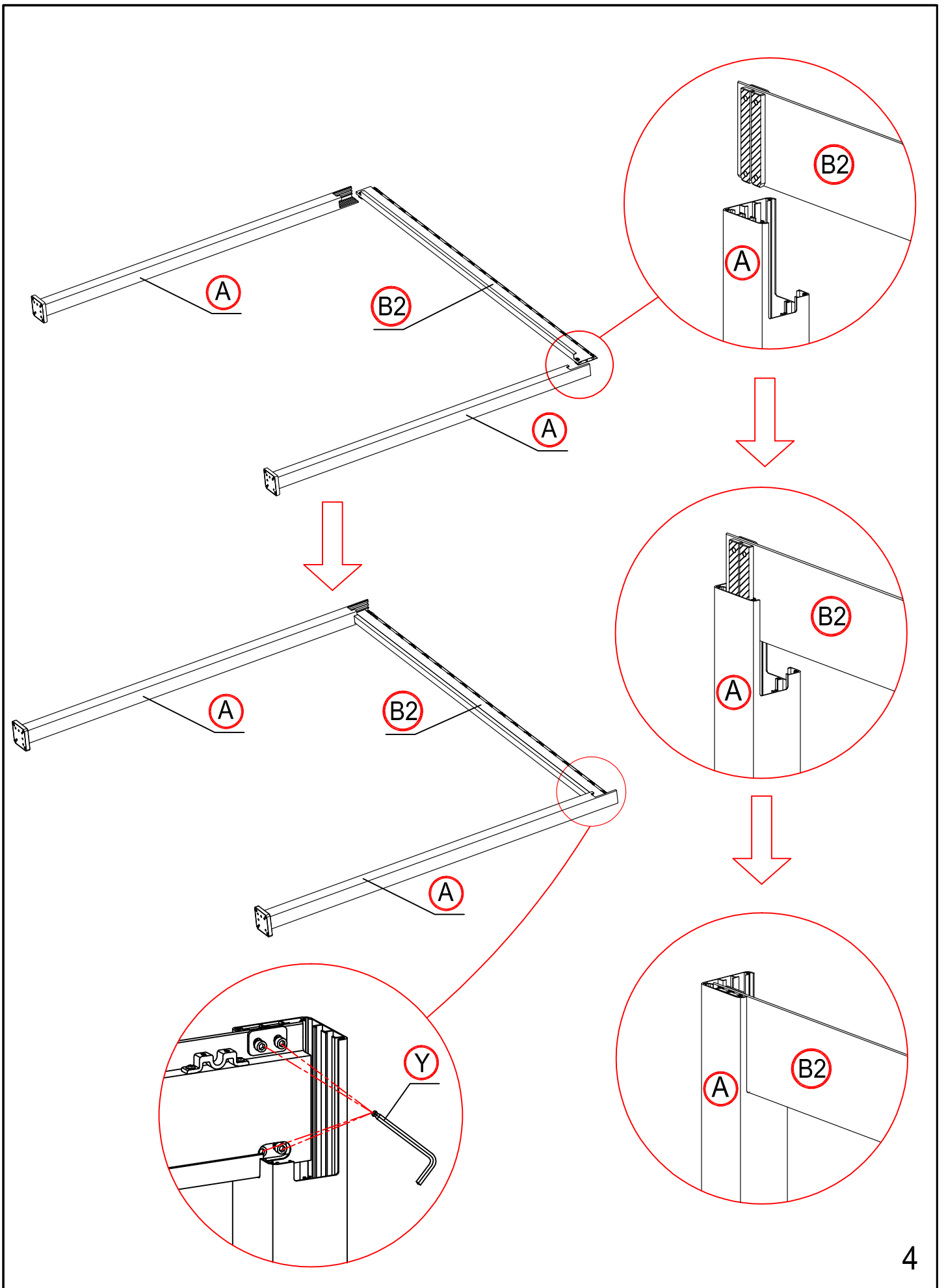
1



2

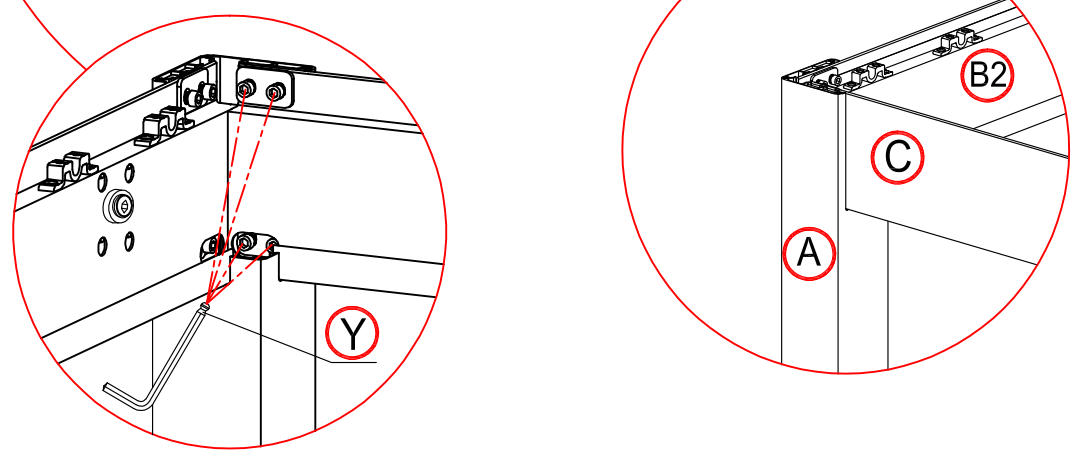
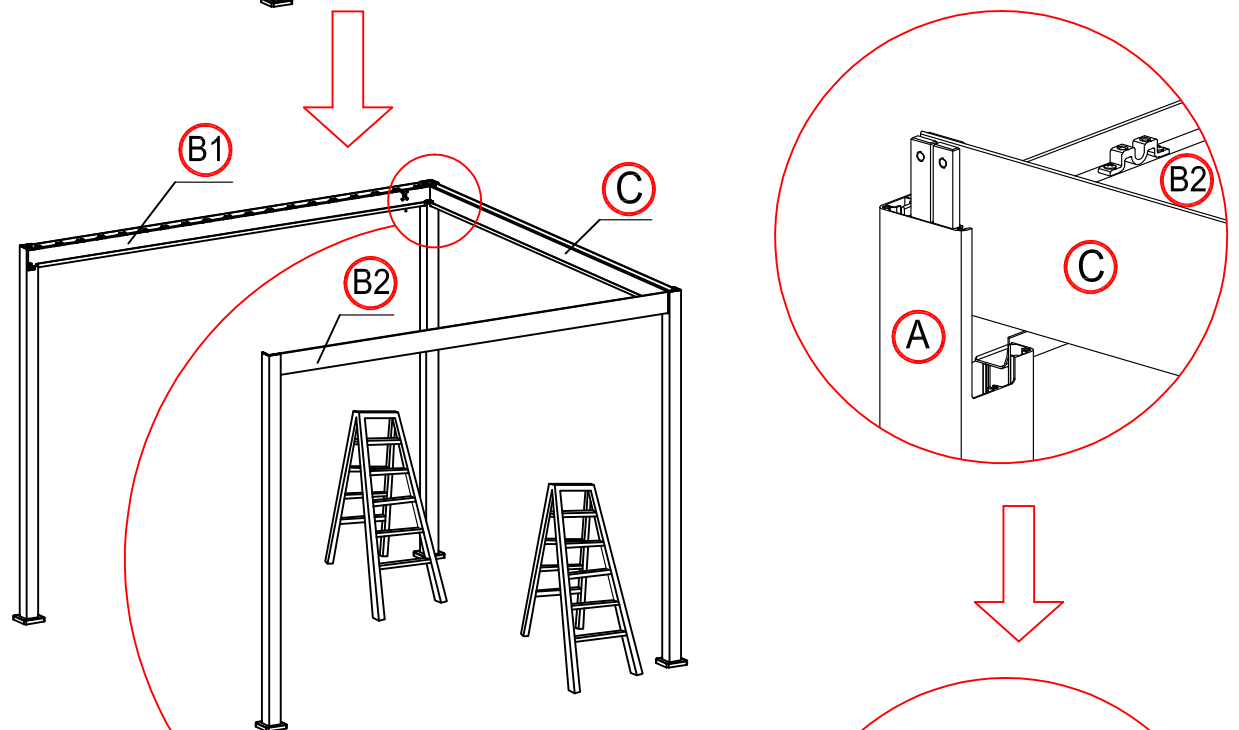
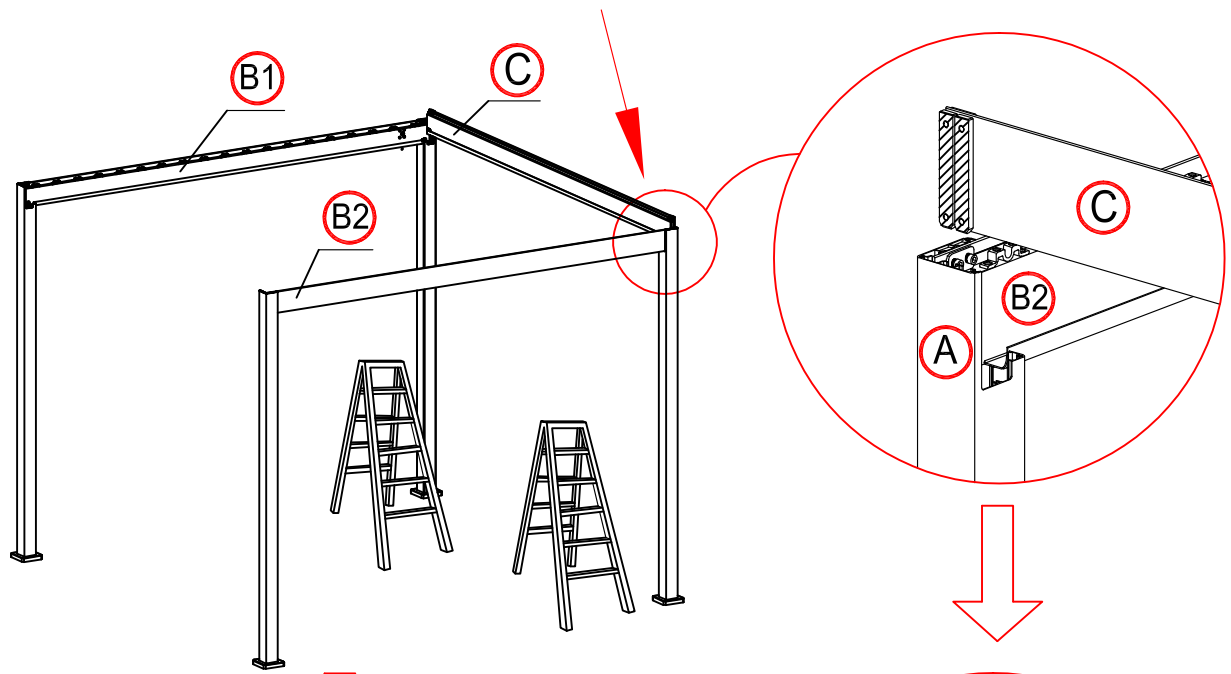
3





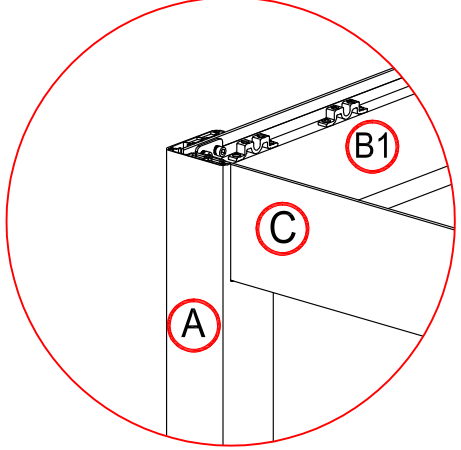
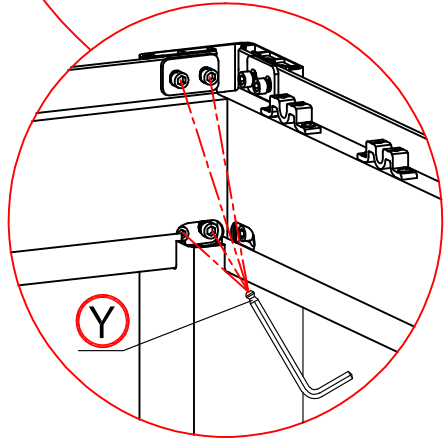
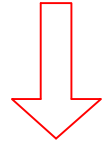
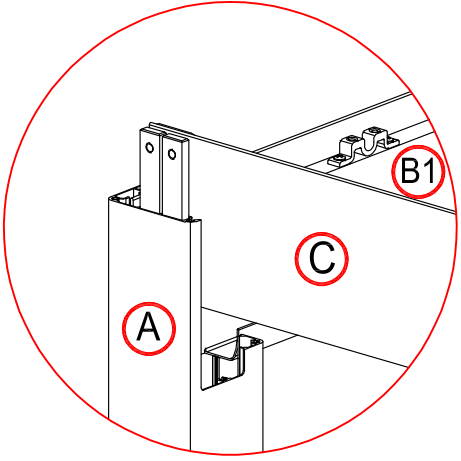
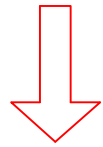
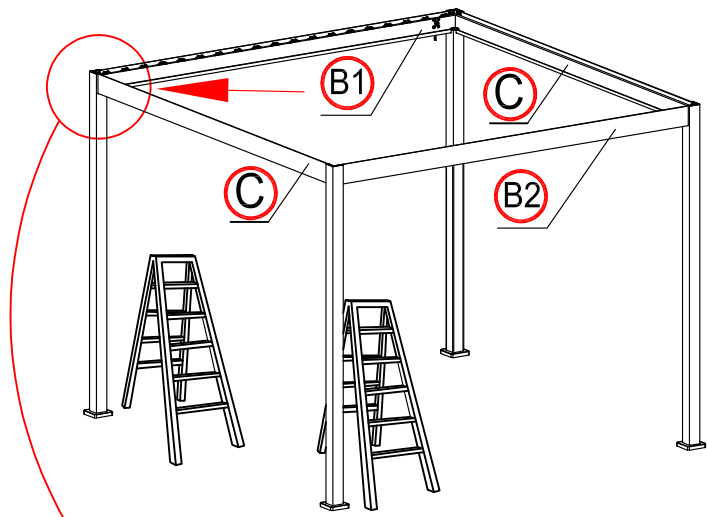
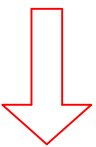
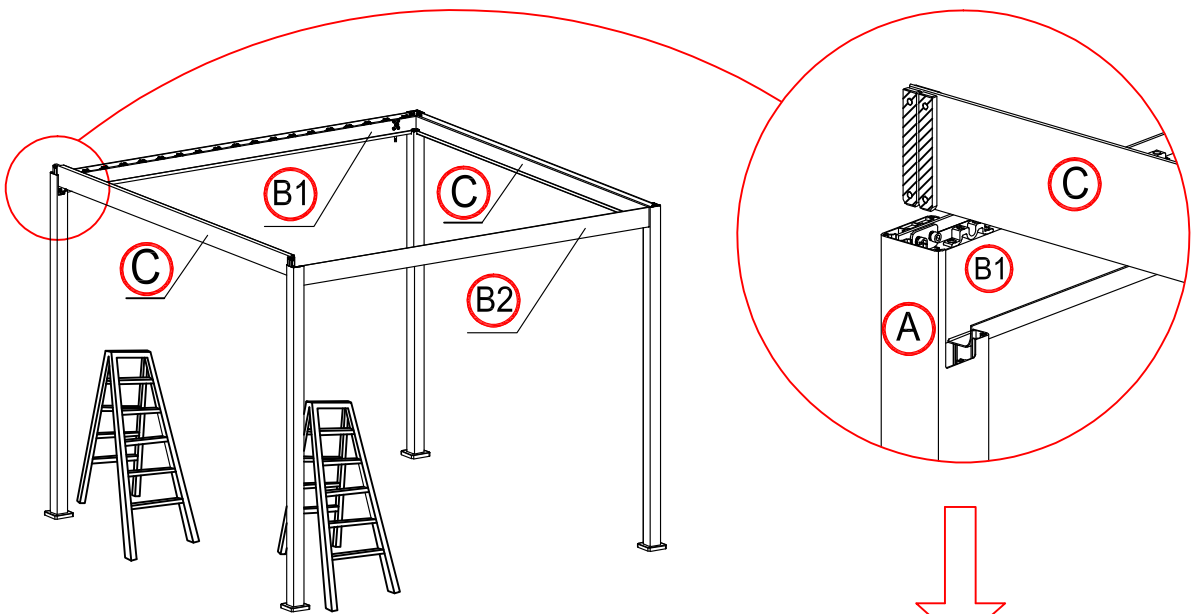
5

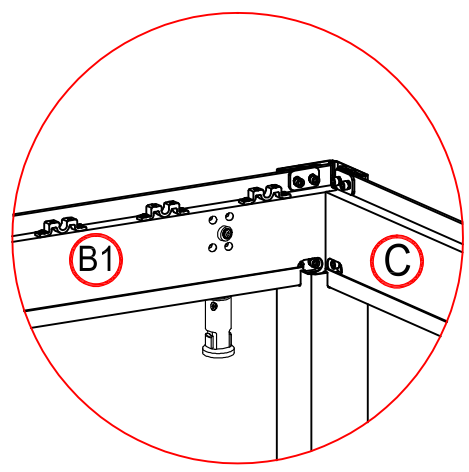
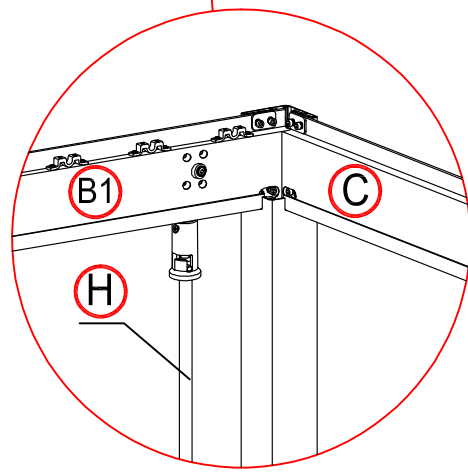
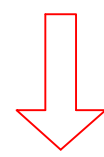
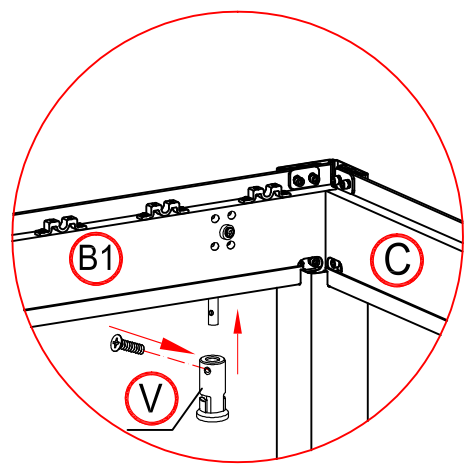
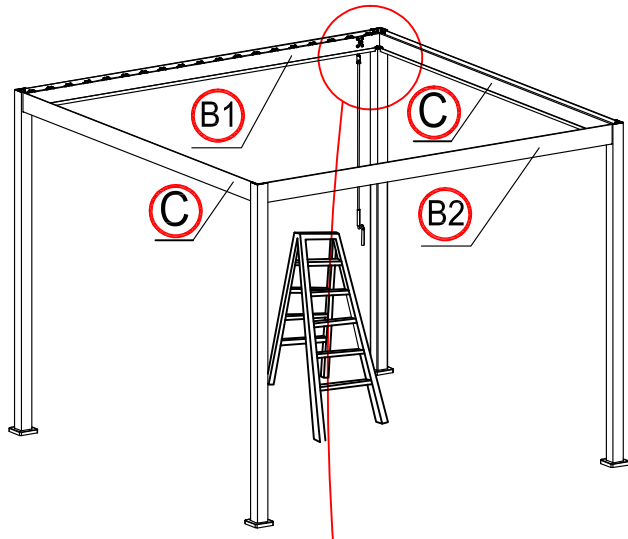
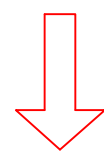
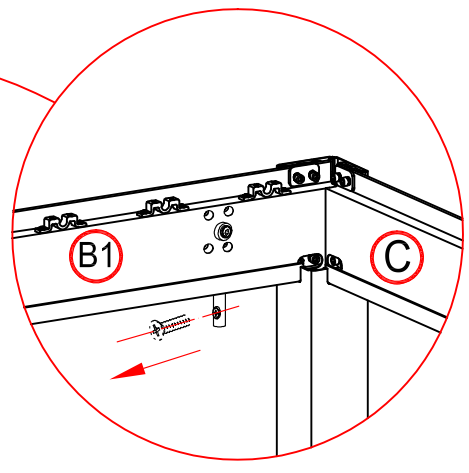
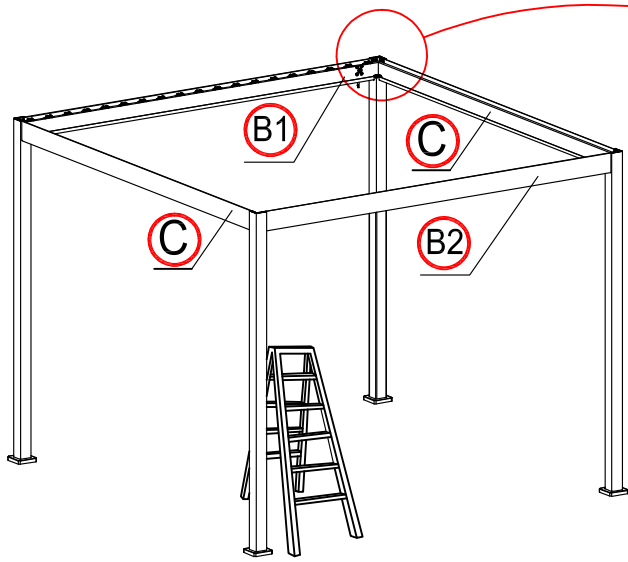
4



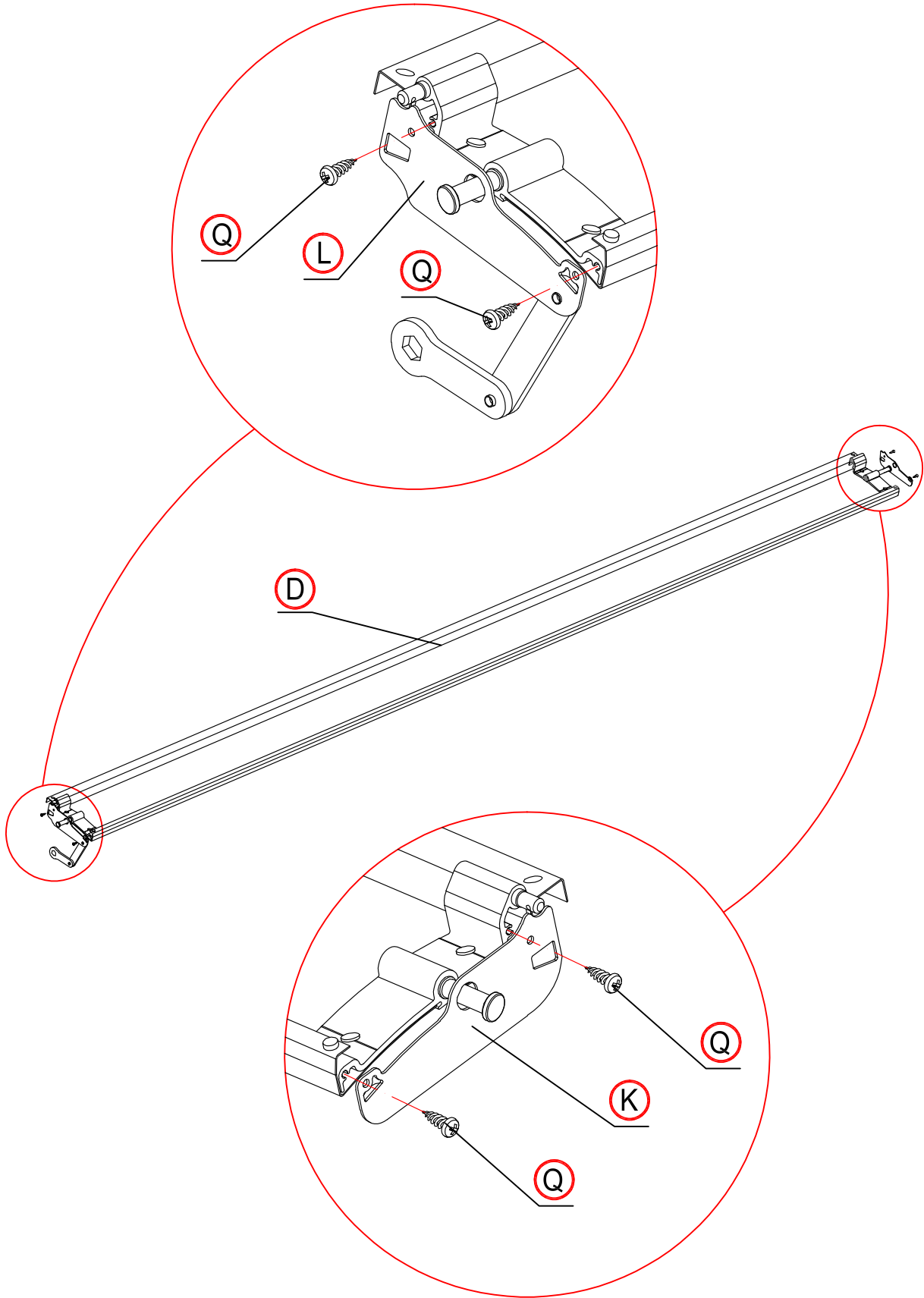
6



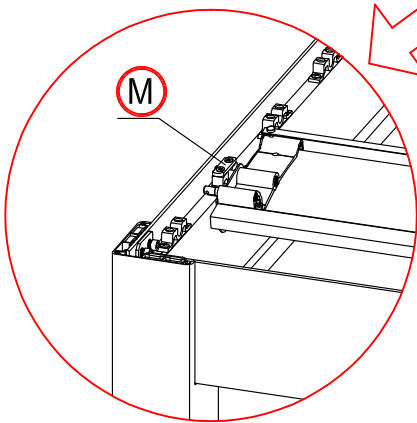
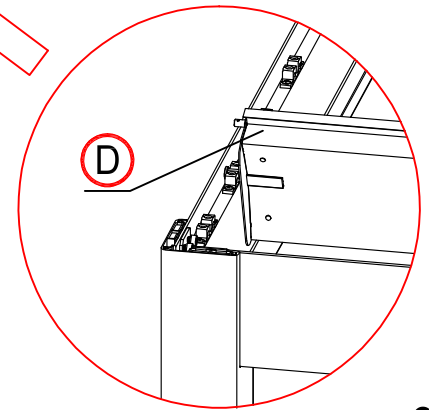
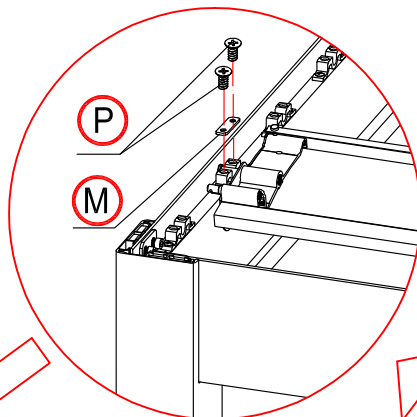
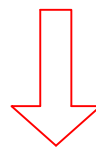
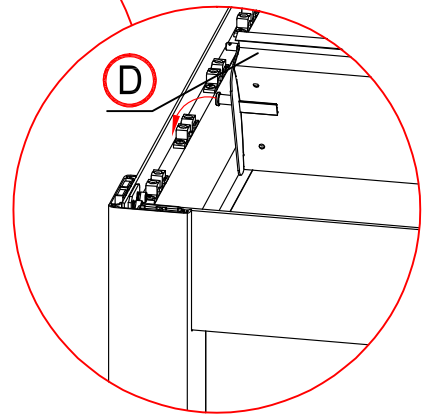
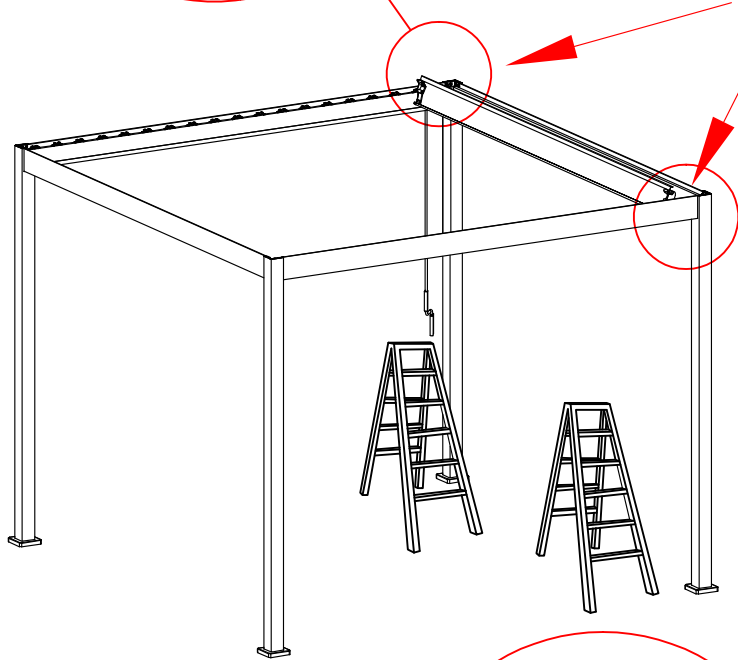
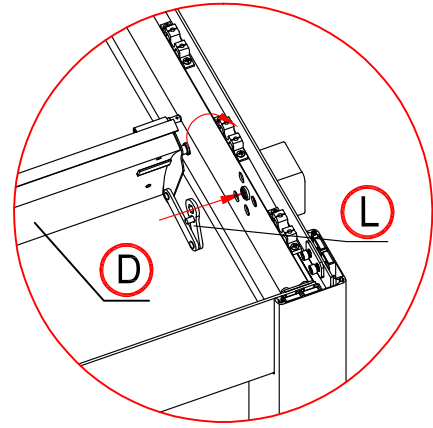
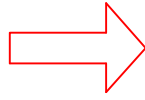
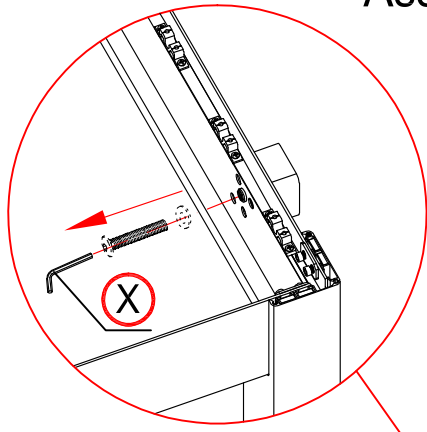


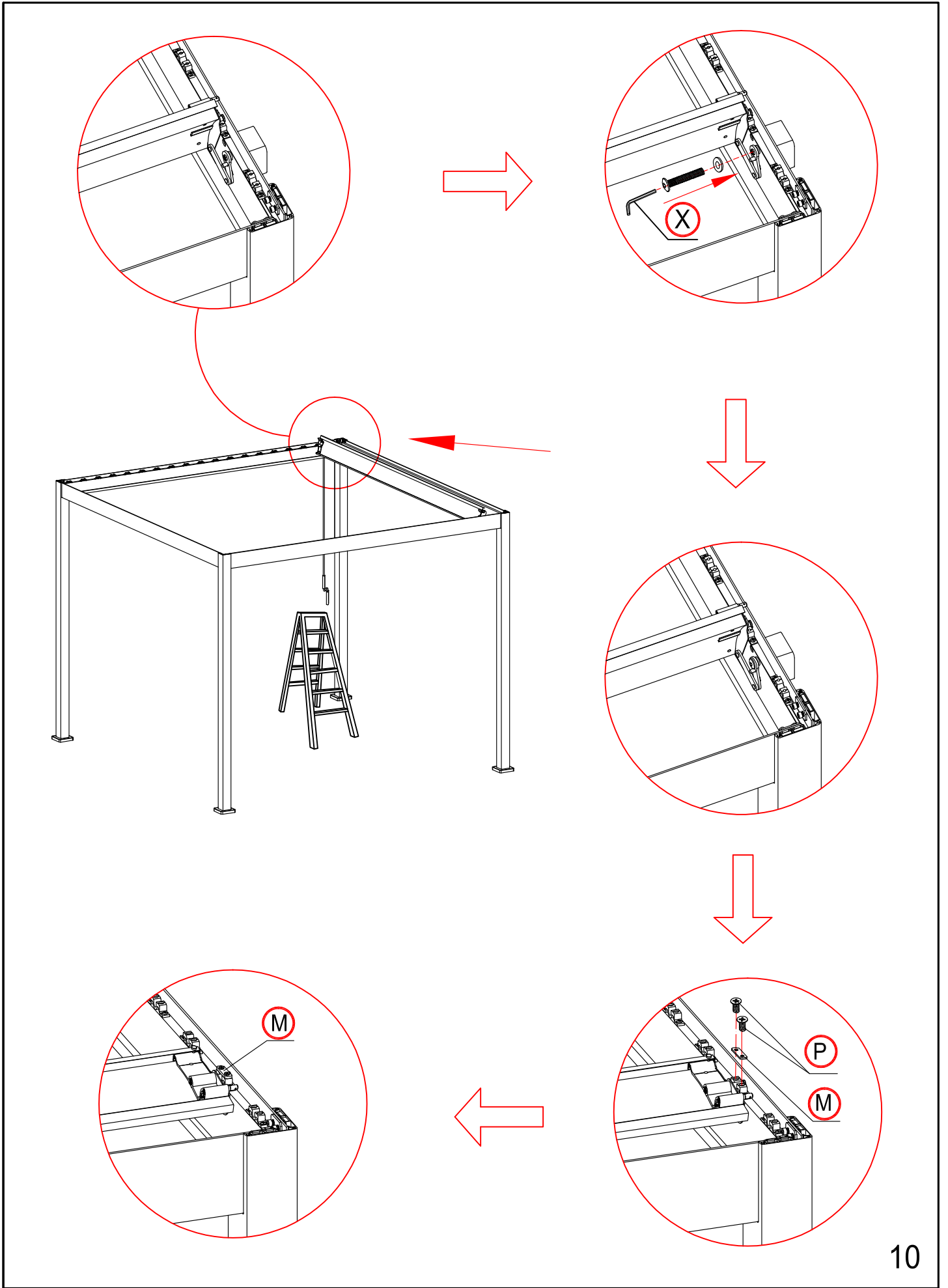


×1 time

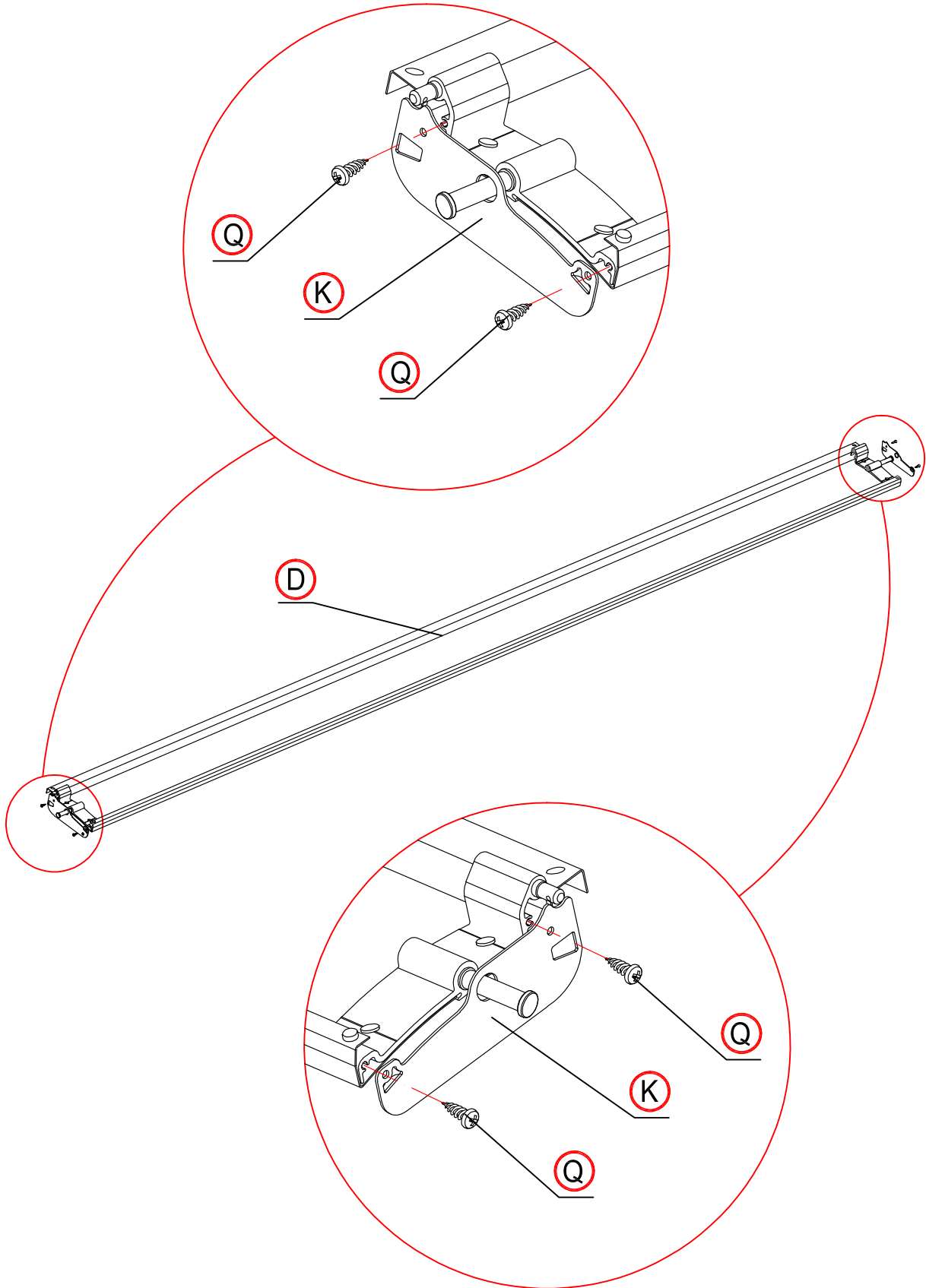


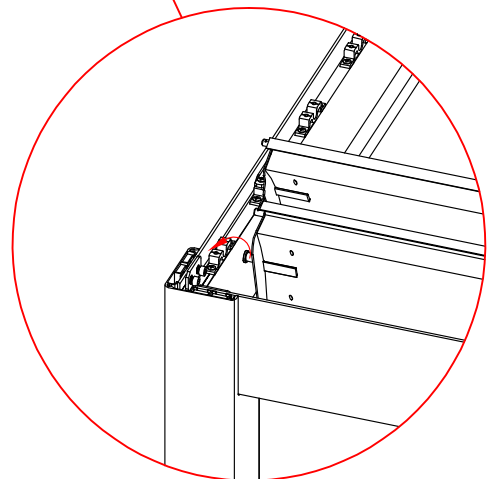
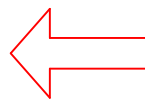
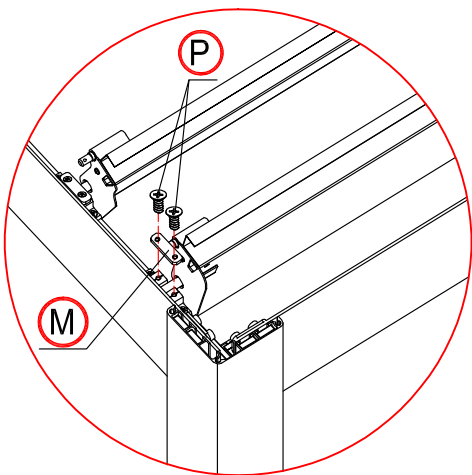
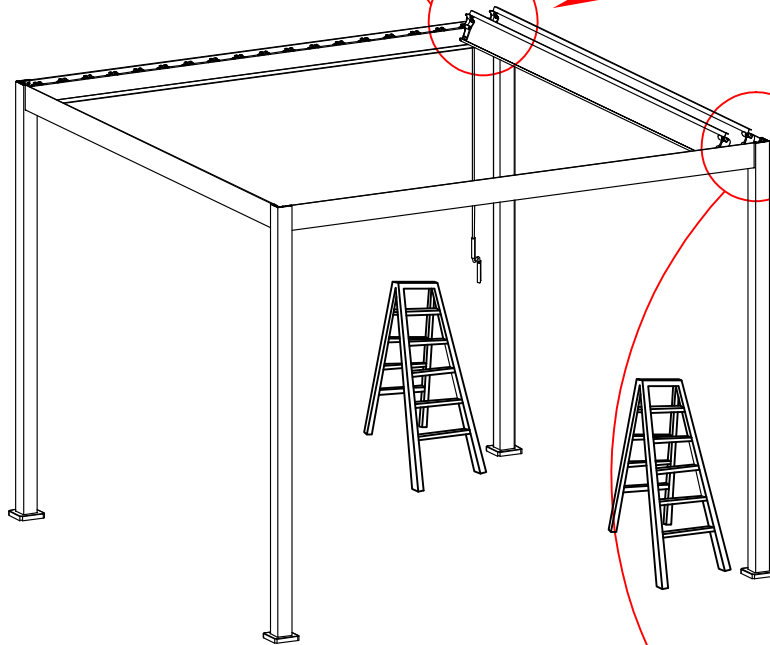
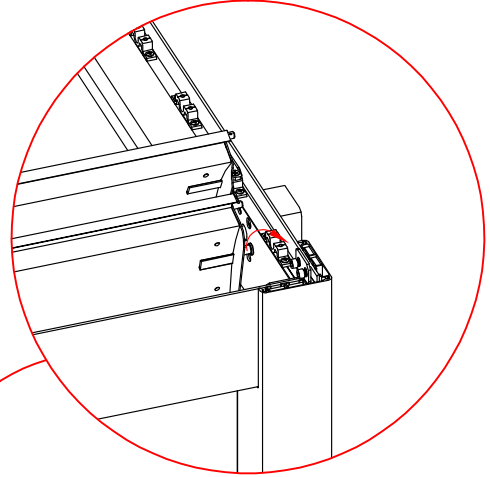
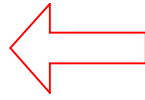
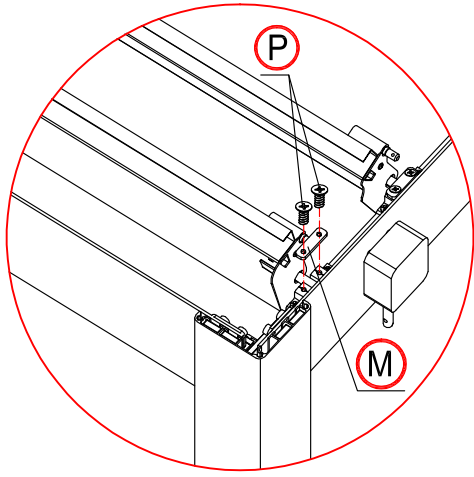
Assemble the second slice to the right.



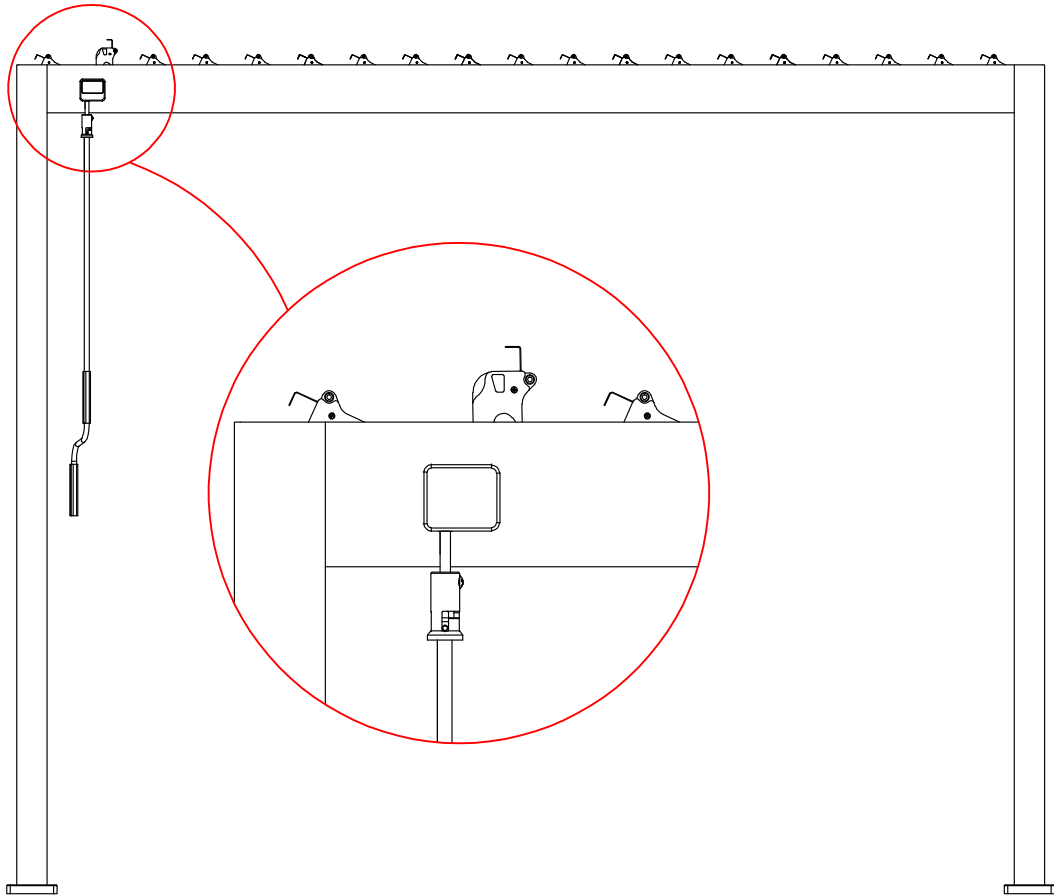


×18 times

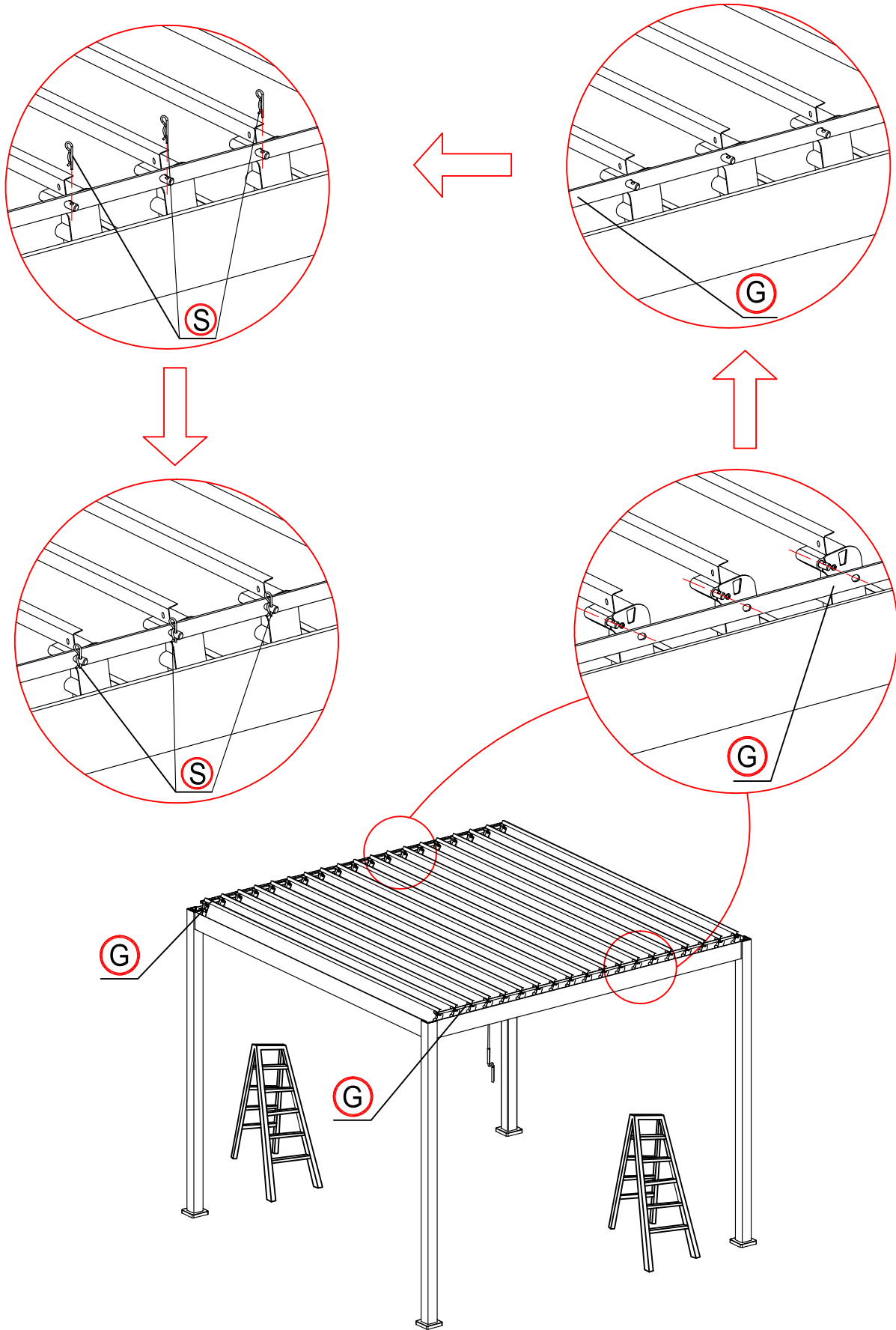




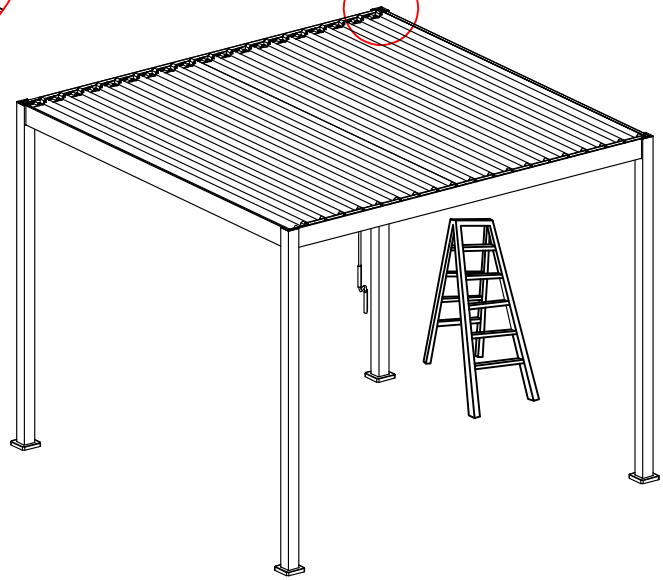
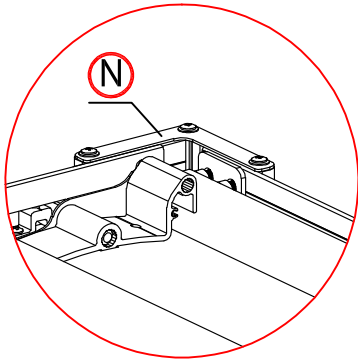
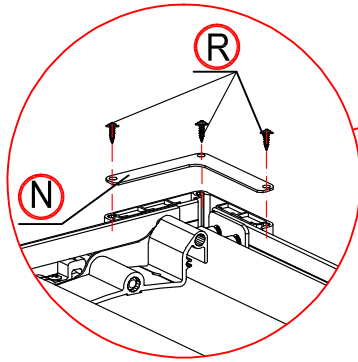
Make the shutter as vertical.







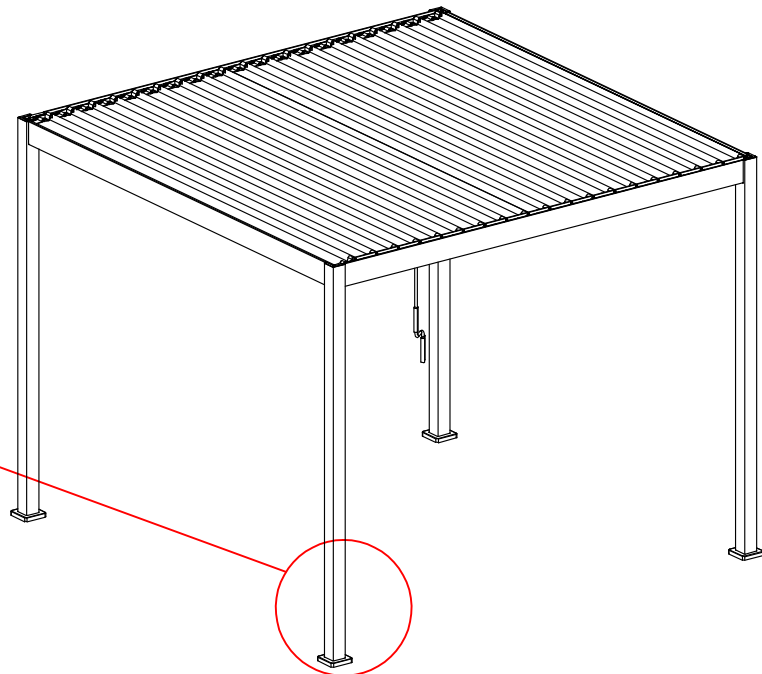
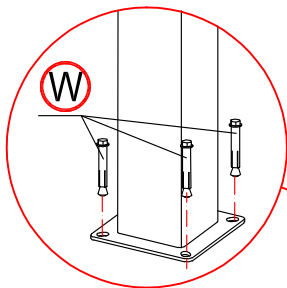
x4 times



15

x4 times

Please install the pergola on flat and firm ground.  
To avoid any possible issues when installing other accessories in the future,  
please tighten all expansion bolts after making sure horizontal  
and vertical dimensions are correct.  
A 12mm diameter SDS-plus hammer drill bit is included in the package.  
You may have to use your own drill bit if it does not fit your drill.



16

