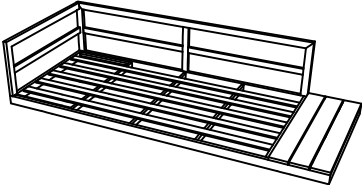
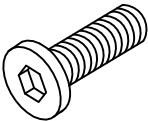
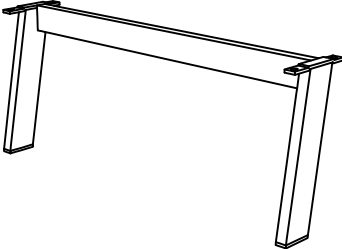

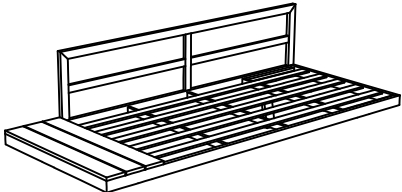
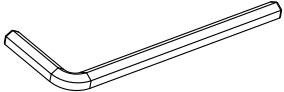
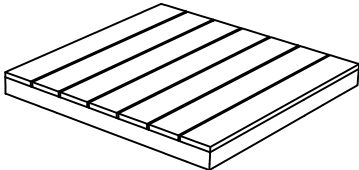
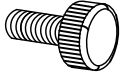
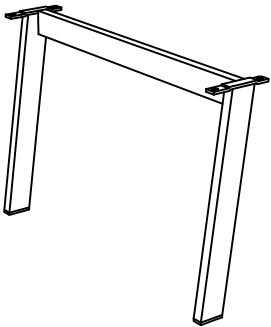
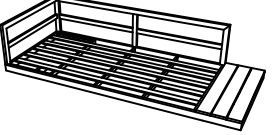
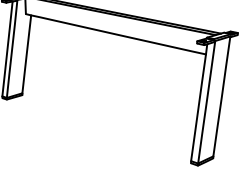

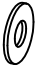
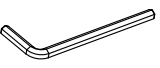
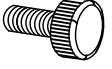
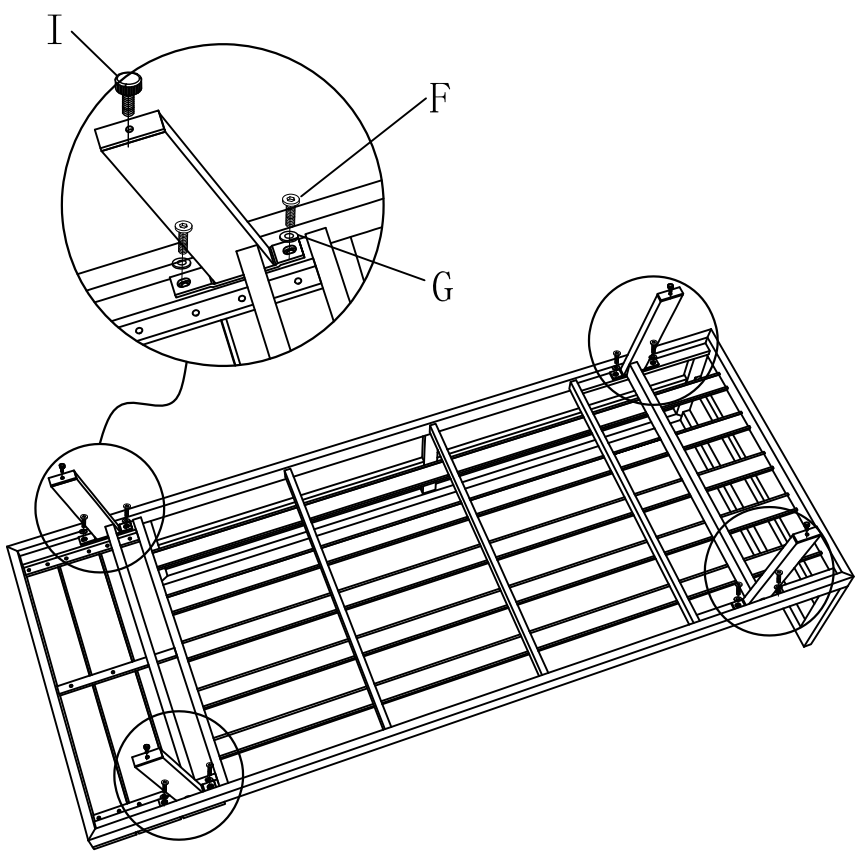


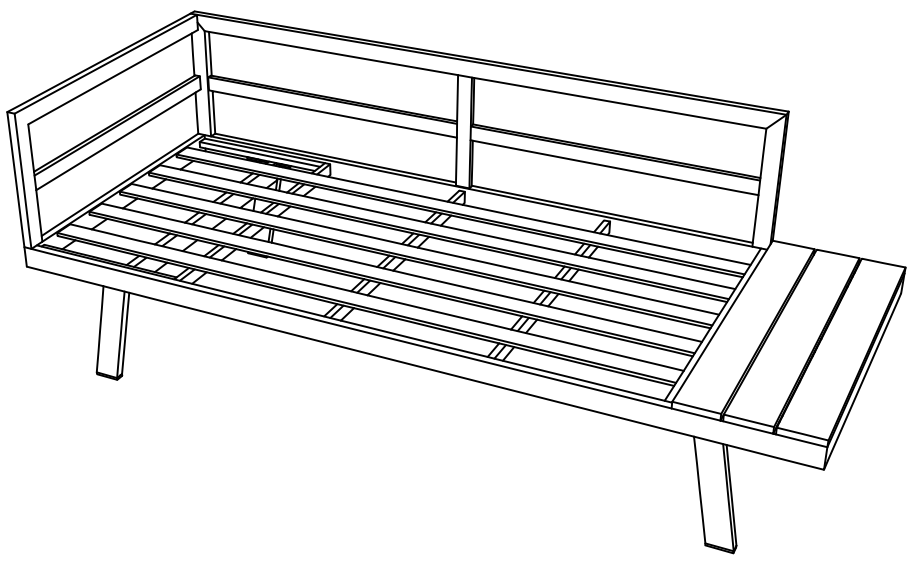
ASSEMBLY INSTRUCTIONS


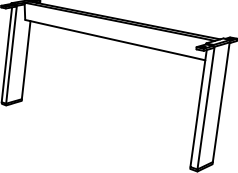



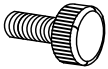
A		1PC	F	 M6*15	24PCS
B		4PCS	G		24PCS
C		1PC	H		1PC
D		1PC	I		12PCS
E		2PCS			

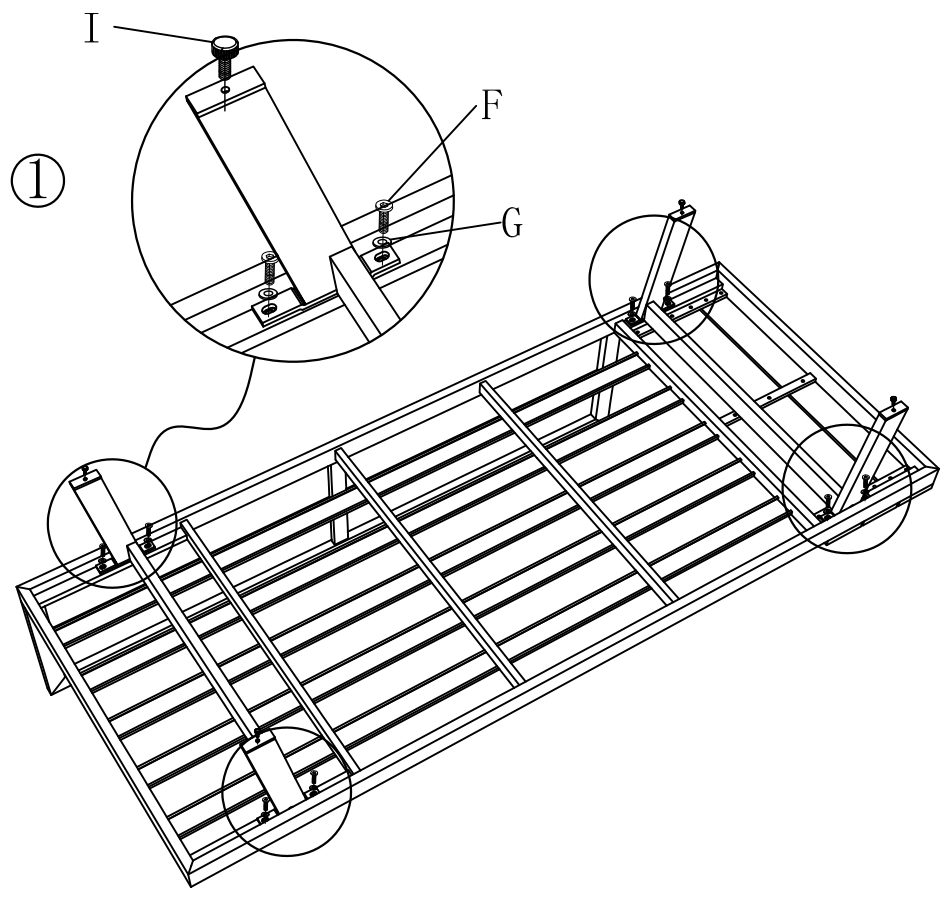
A		1PC
B		2PCS
F	 M6*15	8PCS
G		8PCS
H		1PC
I		4PCS



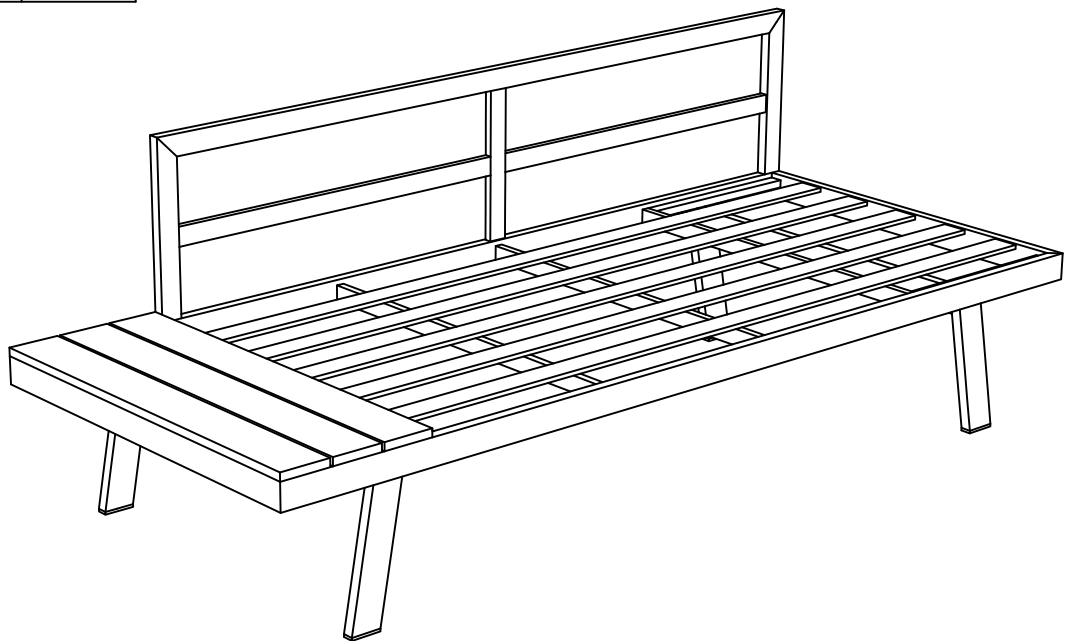
②

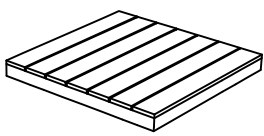
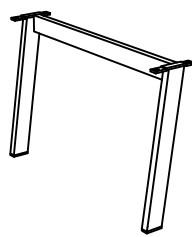


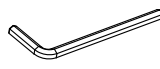
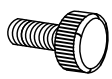


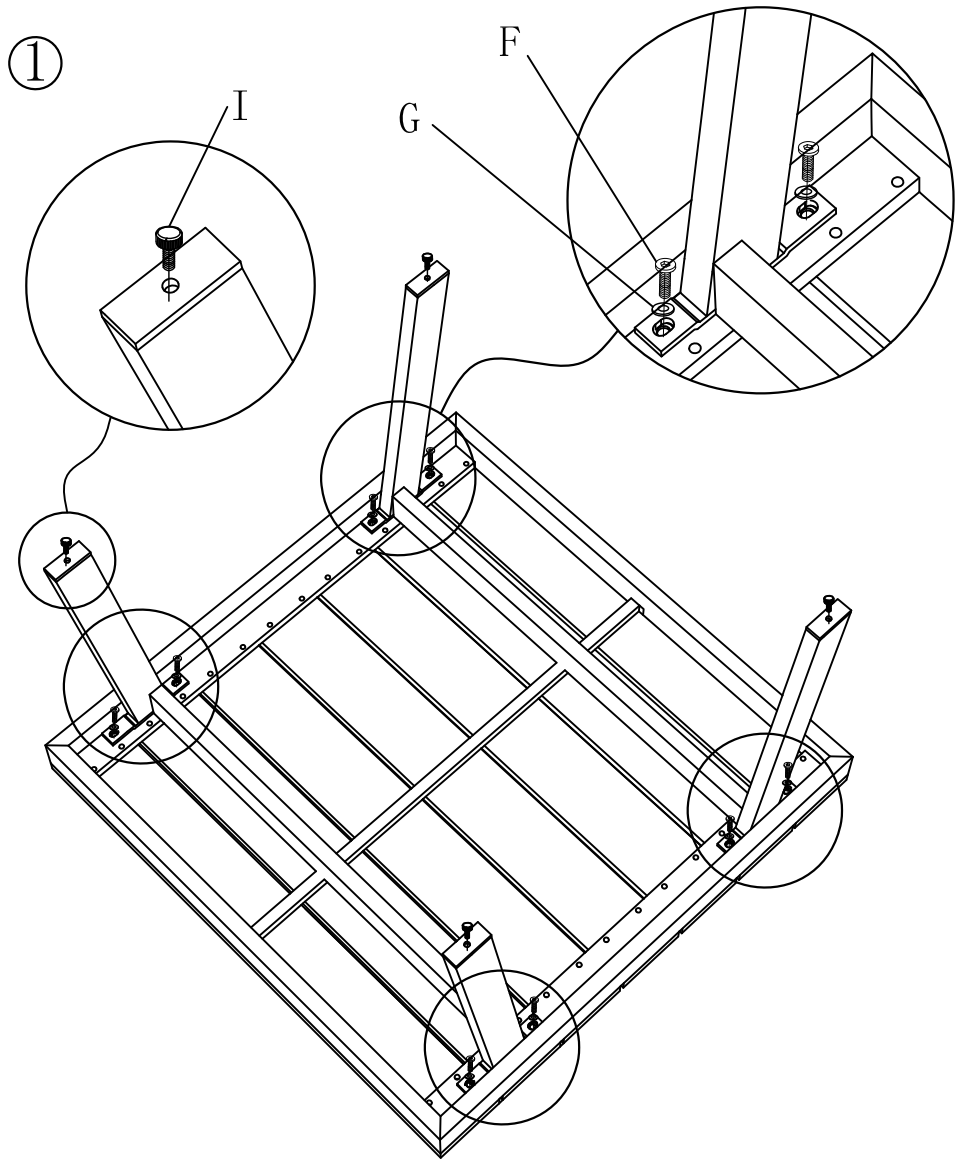
C		1PC
B		2PCS
F	 M6*15	8PCS
G		8PCS
H		1PC
I		4PCS



②



D		1PC
E		2PCS
F	 M6*15	8PCS
G		8PCS
H		1PC
I		4PCS



②

