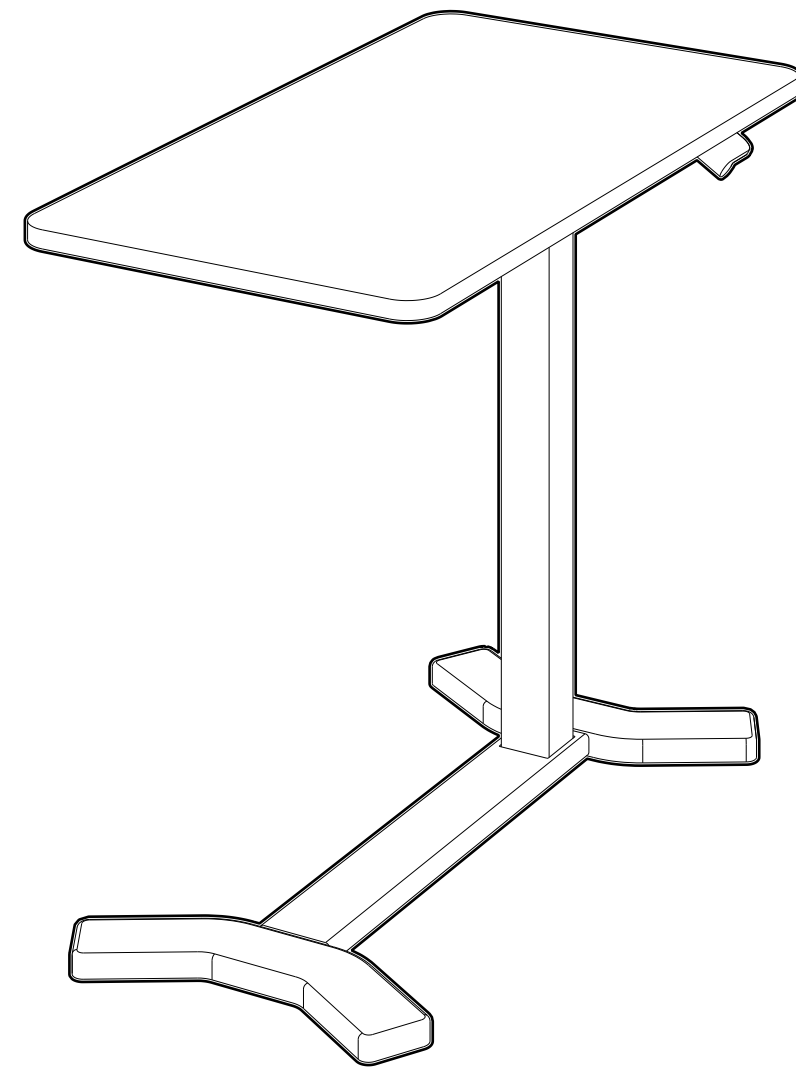


# 18709 (MT025-7040)



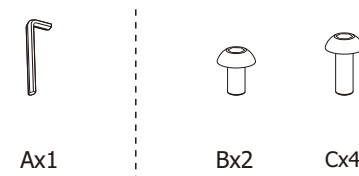
Pilt on illustratiivne.  
Enne laua kokkupanemist lugege juhend läbi.

## Tehnilised andmed

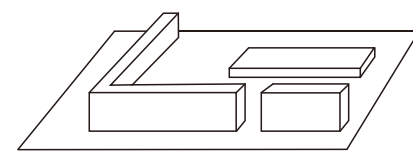
Tõstejalg	2
Kandevõime	7KG
Min kõrgus	650mm
Max kõrgus	1030mm
Lauaplaadi mõõdud	700x400mm

Tähelepanu: joonised on ainult suunavad ja võivad tootest või tarvikutest veidi erineda.

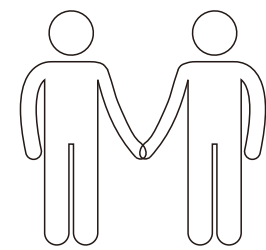
Probleemide korral võtke ühendust müüjaga.



## Ettevalmistamine



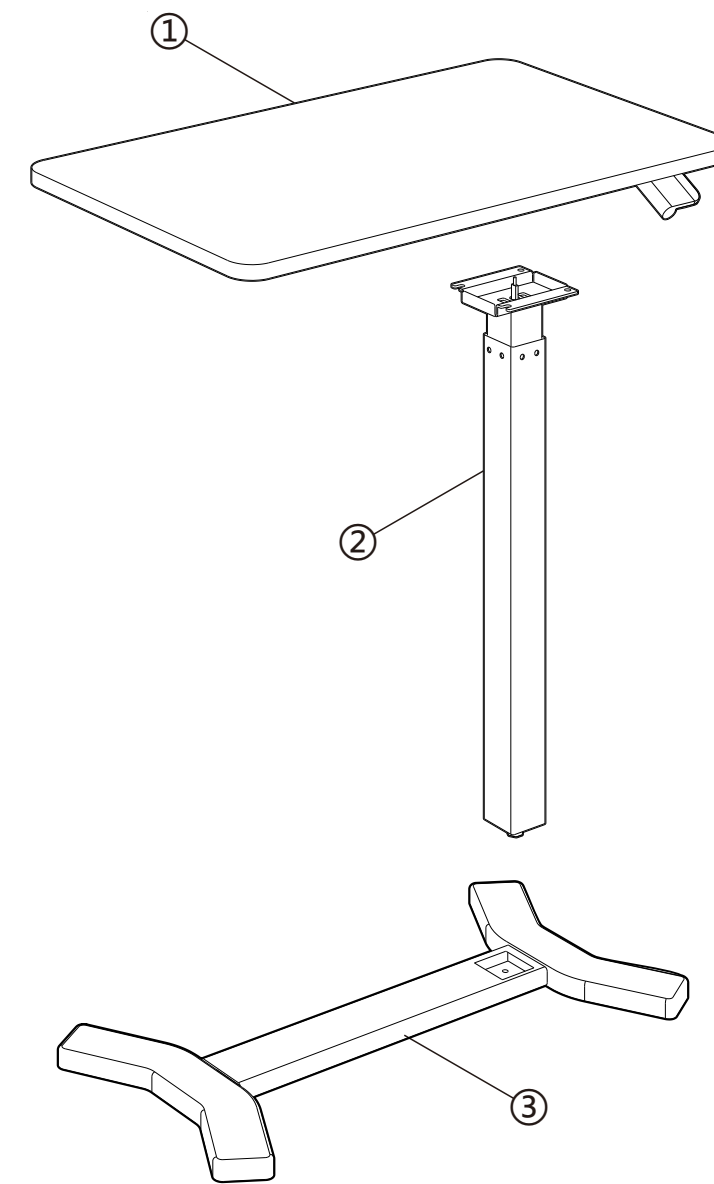
Asetage osad vaibale, et vältida kriimustuste teket.



Laua kokkupanemiseks on vaja 2 inimest

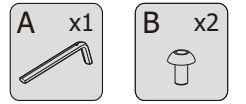
## Osade loetelu

NR	OSA	NR	OSA
①	Lauaplaat x1	③	Jalg x1
②	Tõstejalg x1		



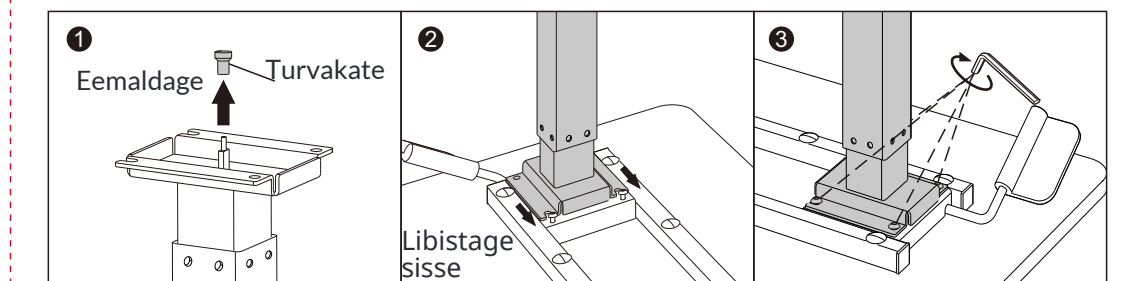
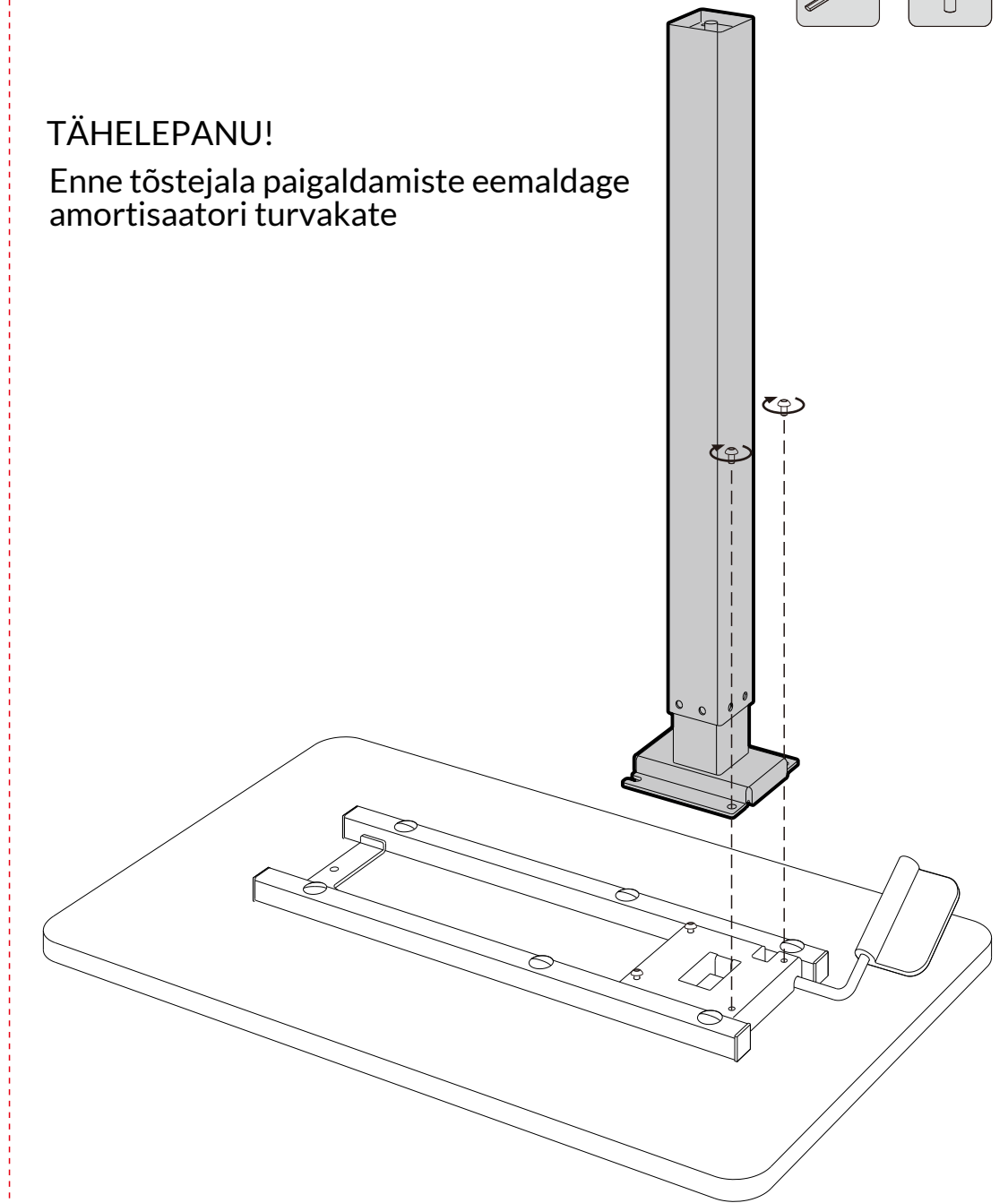
## Kokkupanekujuhend

### SAMM 1

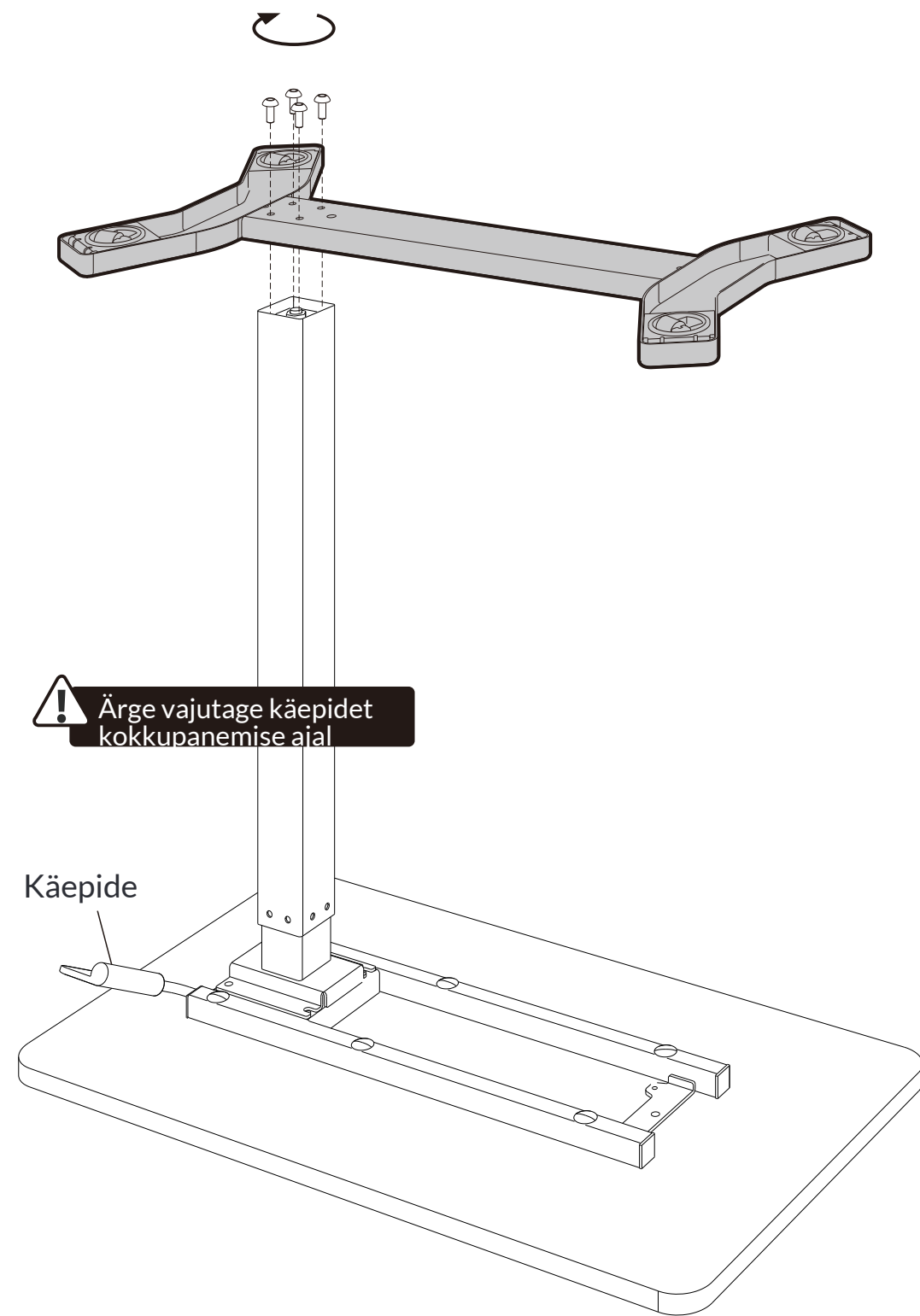
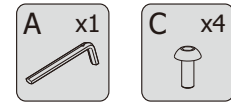


### TÄHELEPANU!

Enne tõstejala paigaldamiste eemaldage amortisaatori turvakate



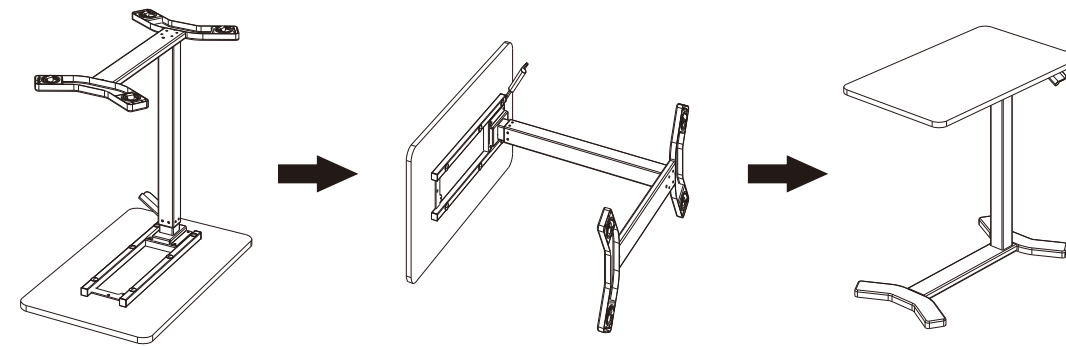
## SAMM 2



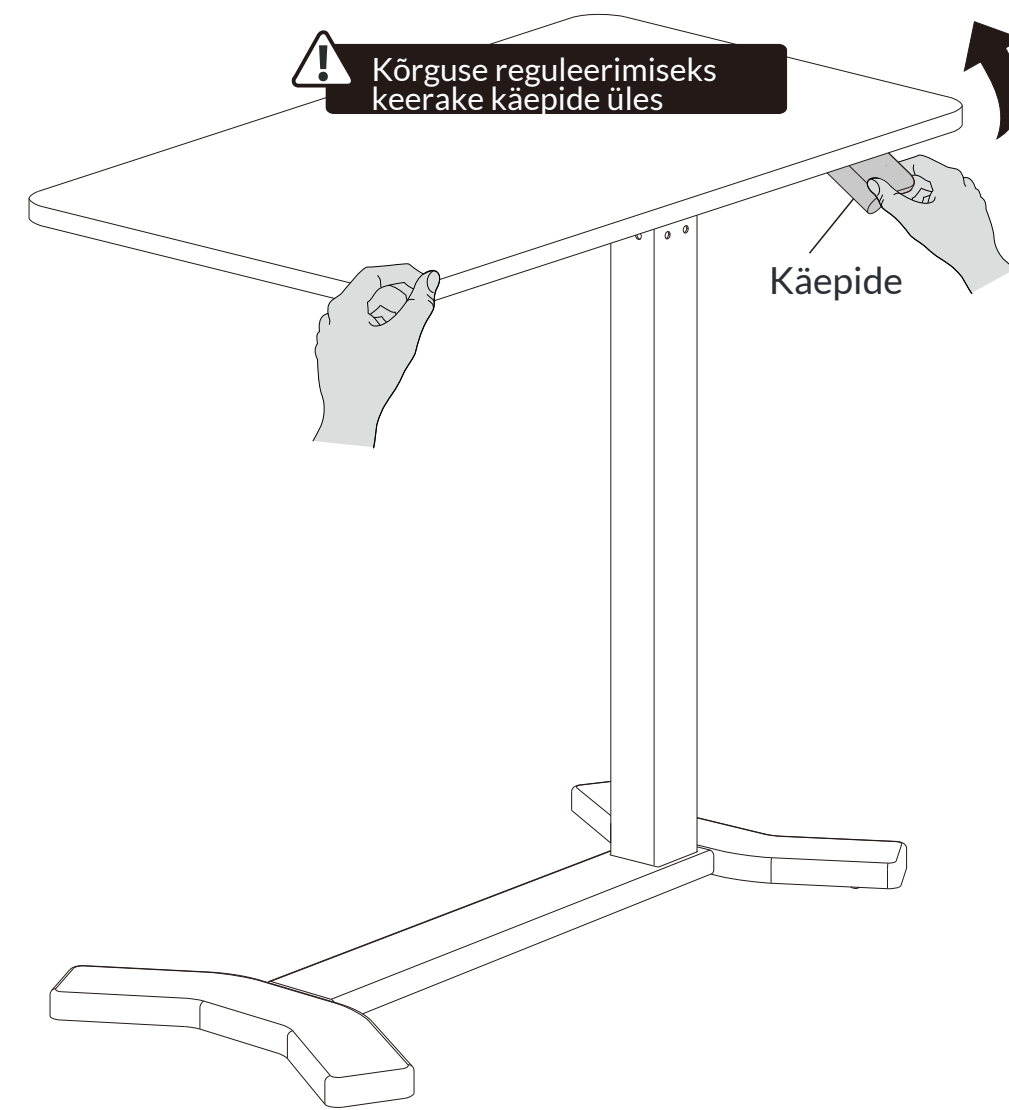
⚠ Ärge vajutage käepidet kokkupanemise ajal.

Käepide

## SAMM 3



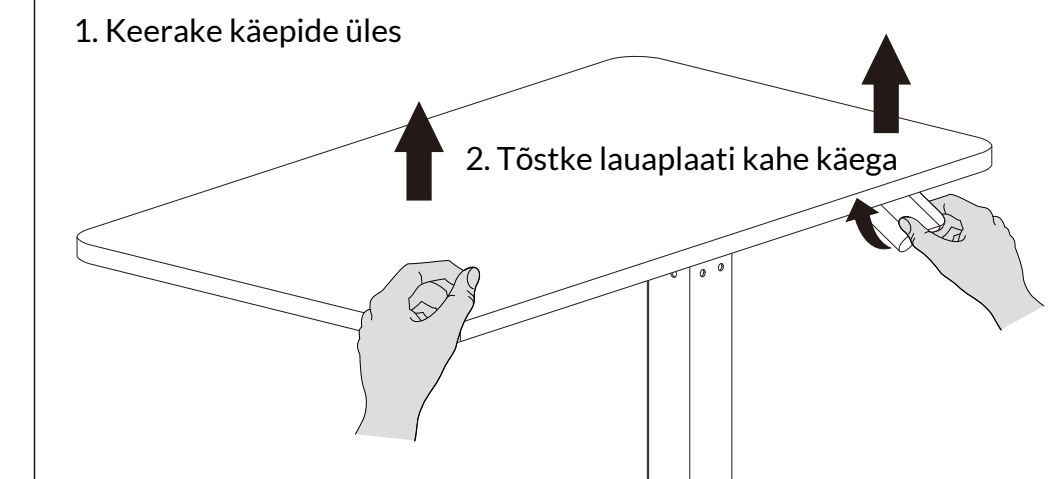
## SAMM 4



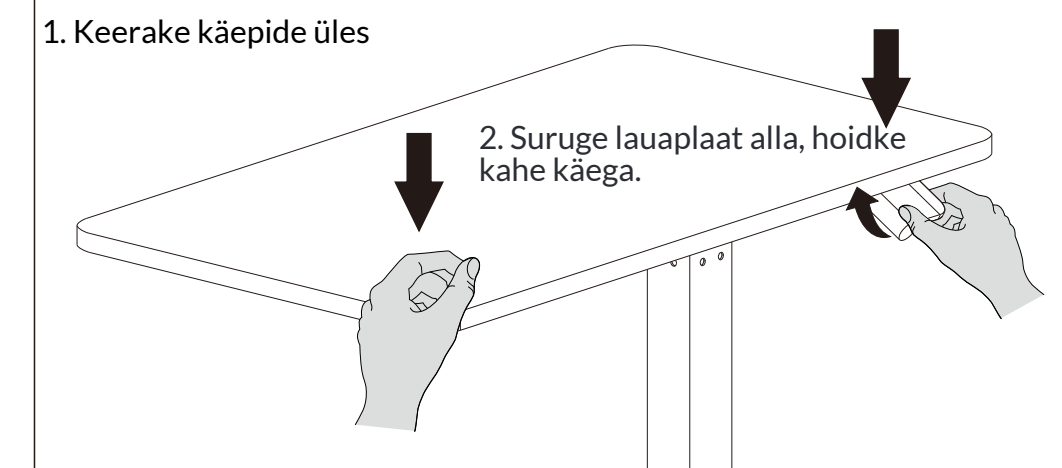
⚠ Kõrguse reguleerimiseks keerake käepide üles

Käepide

### • Reguleerimine kõrgemale



### • Reguleerige madalamale



## Hoiatus

\* Pakend sisaldab väikeseid osi, mis alla neelamisel võivad põhjustada lämbumisohtu. Hoidke lapsed laua kokkupanemise ajal ohutus kauguses.

\* Tutvuge juhendiga enne laua kokkupanemist. Probleemide korral võtke müüjaga ühendust.

\* Ärge lubage väikestel lastel lauaga mängida.

\* Alla 7 aastased lapsed ja erivajadusega inimesed võivad laua kõrgust reguleerida ainult järelevalve all olles.

\* Veenduge, et töökeskkonnas ei oleks ohuallikaid. Hoidke tööriistad ja pakkematerjal lastele kättesaamtuks.

\* Hoidke originaalpakend alles, juhuks kui on vaja lauda edaspidi transportida.

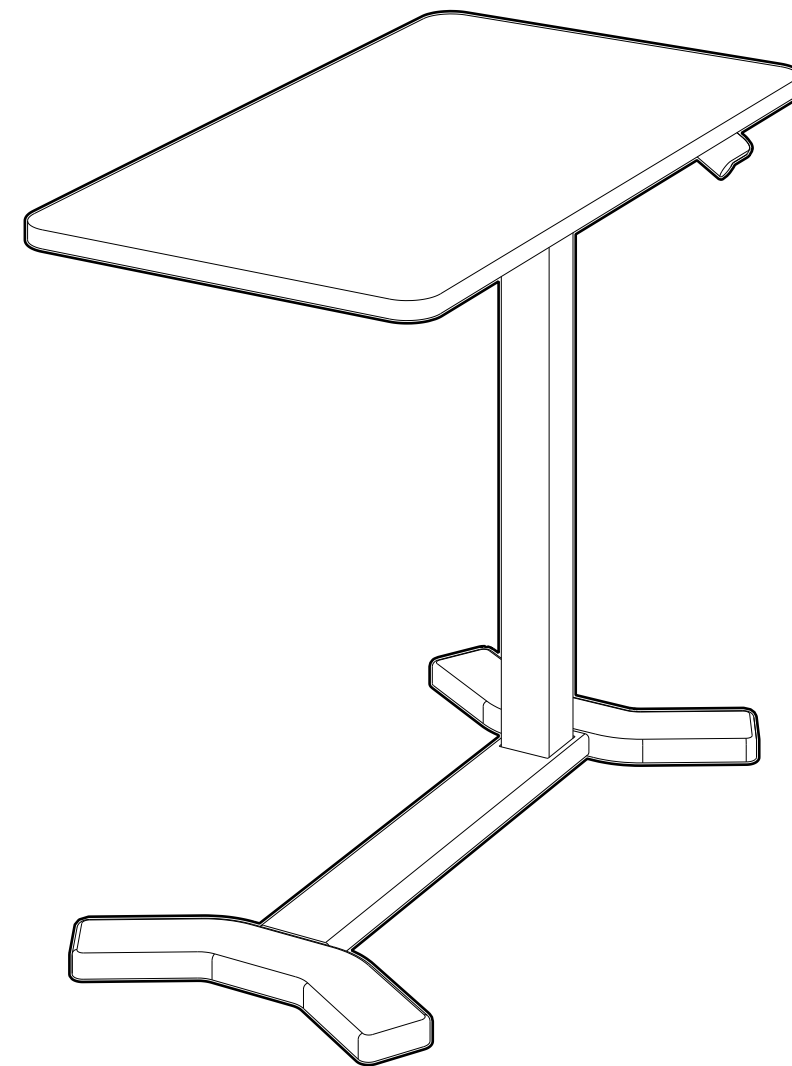
### Utiliseerimine



Utiliseeritav toode ei kuulu olmejäätmete hulka. Antud toode sisaldab taaskasutuseks sobivaid materjale. Keskkonnakahjude vältimiseks ja materjalide uuesti ringlusse saamiseks, utiliseerige toode vastavalt kohalikule jäätmekäitluseeskirjale.

# MT025-7040

## Installation guide



< The pictures below are for reference only, please refer to the actual product. >  
Please read this product manual carefully before use, and keep it properly.

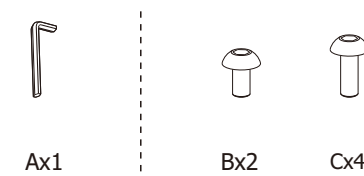
### Technical Data

Column stage	2
Max. load capacity	7KG
Lowest height	650mm
Highest height	1030mm
Desktop dimension	700x400mm

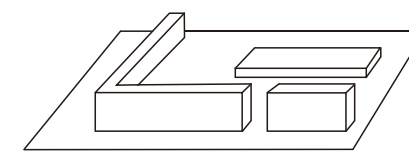
### Product List

#### Accessory List

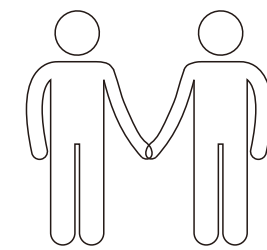
Attention: The drawings below are for guidance only and they may differ slightly from the product and fittings received. Please contact customer service if there are any missing tools or installation problems.



#### Preparation before installation


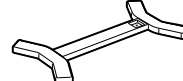



Install on carpet to prevent scratches.

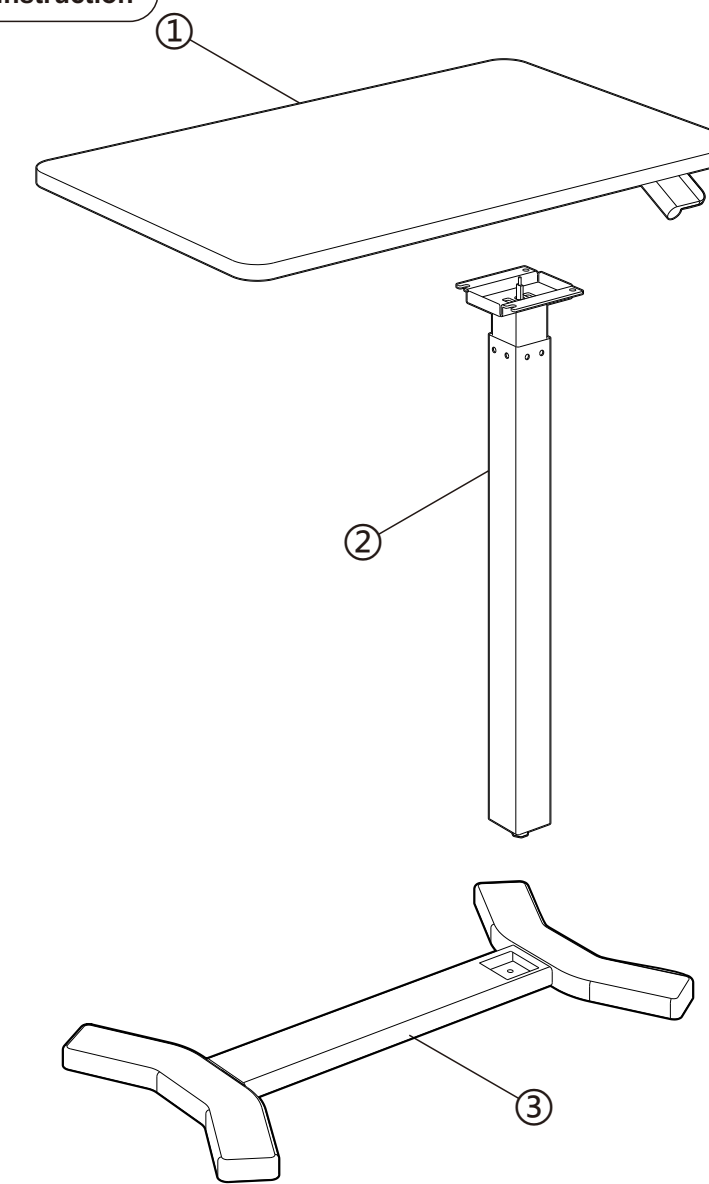


Need two or more people to cooperate together.

### Part List

No.	Part	No.	Part
①	Desktop x1 	③	Foot x1 
②	Column x1 		

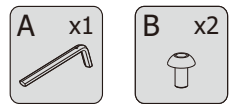
### Installation Instruction



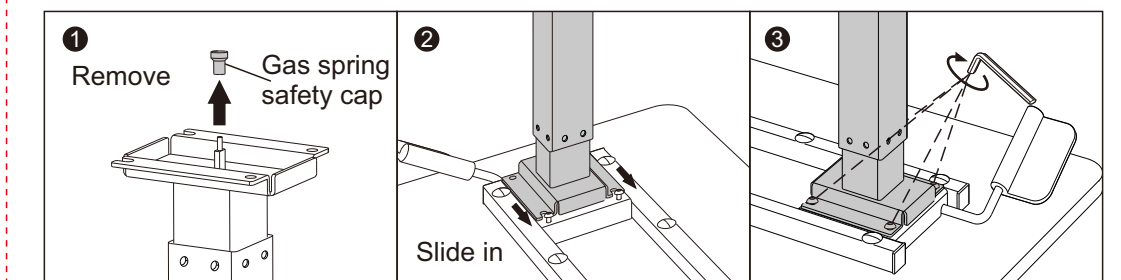
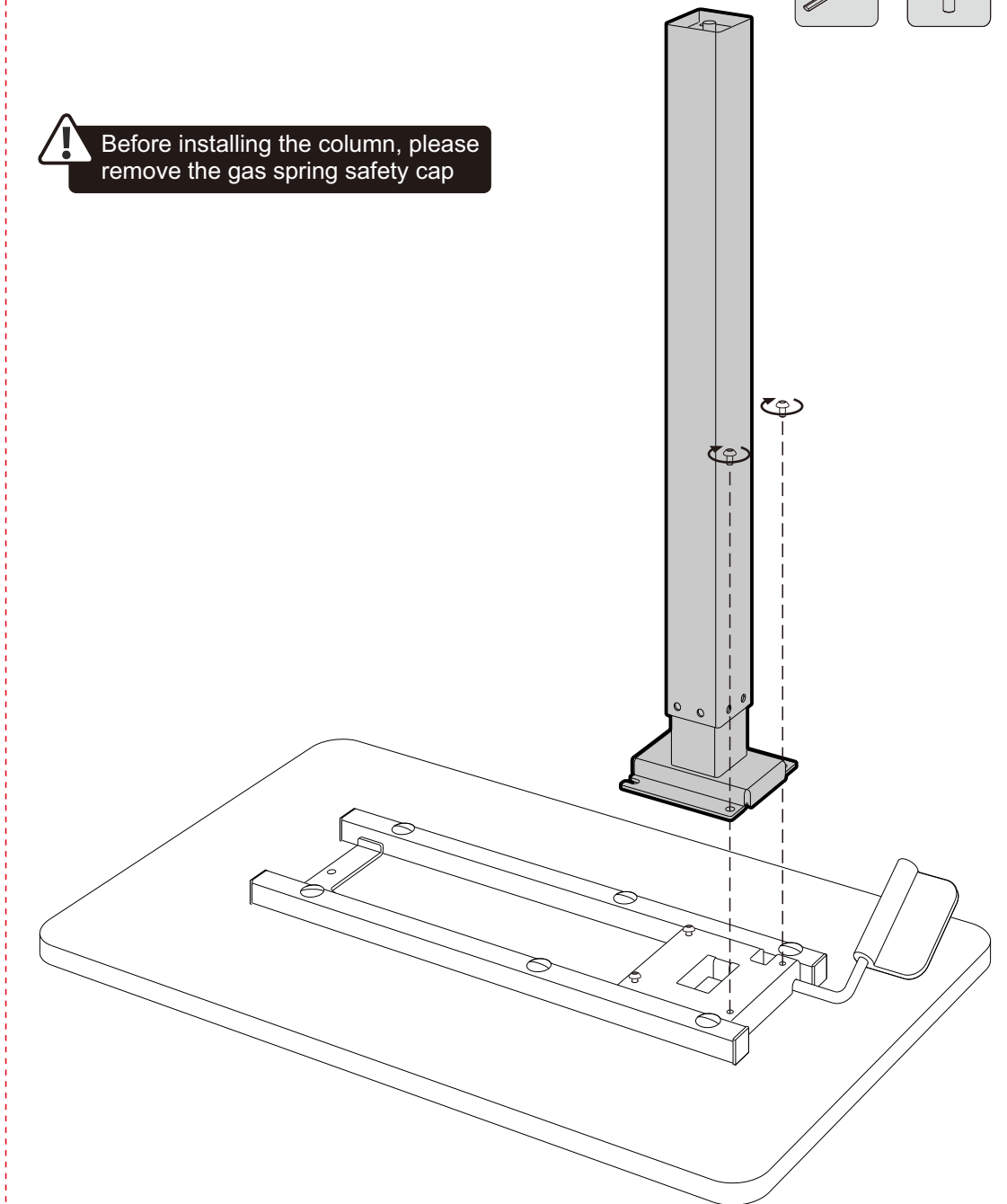
### Installation Steps

#### STEP1

Install the column

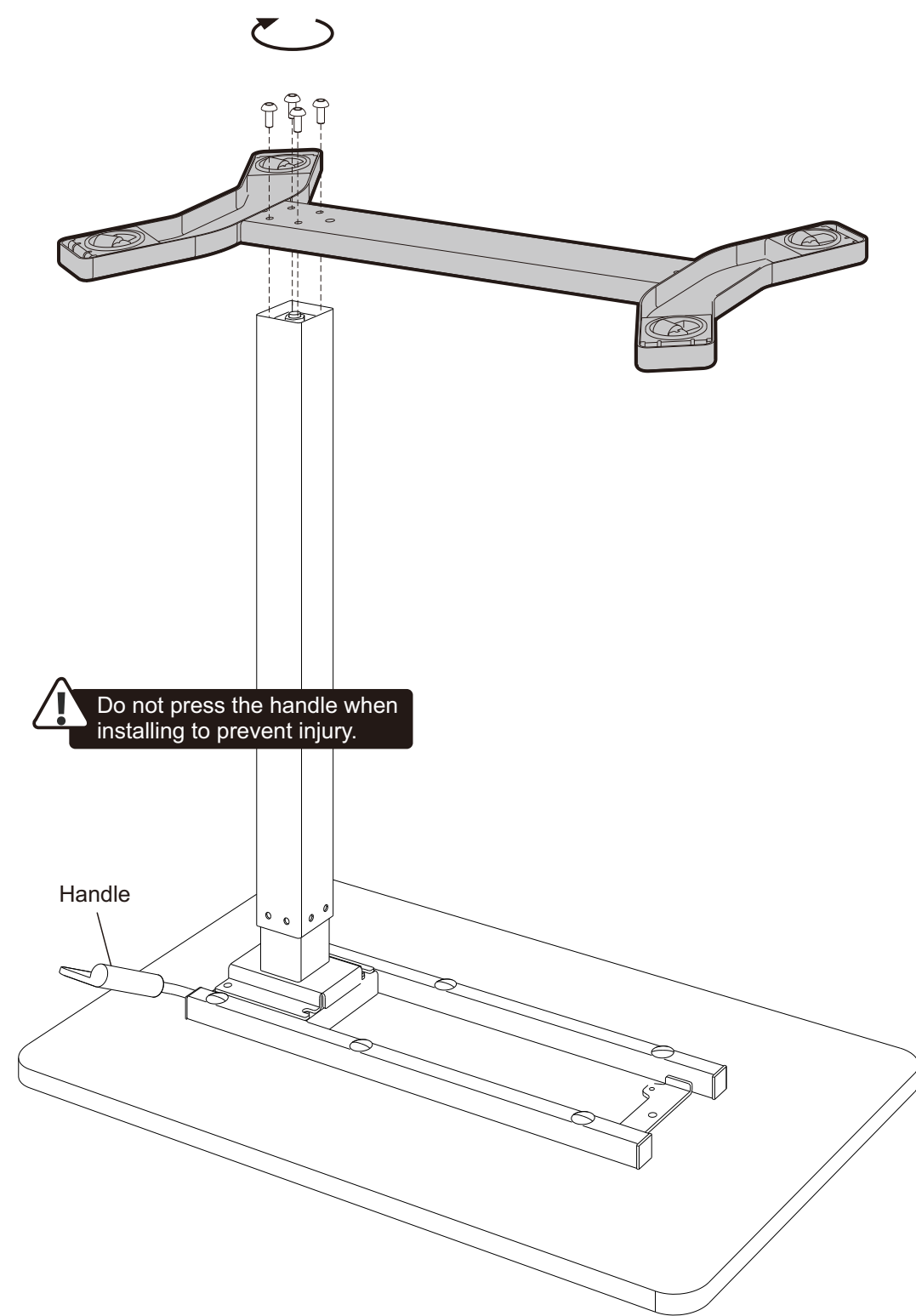
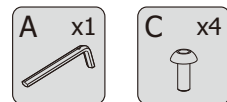


**!** Before installing the column, please remove the gas spring safety cap

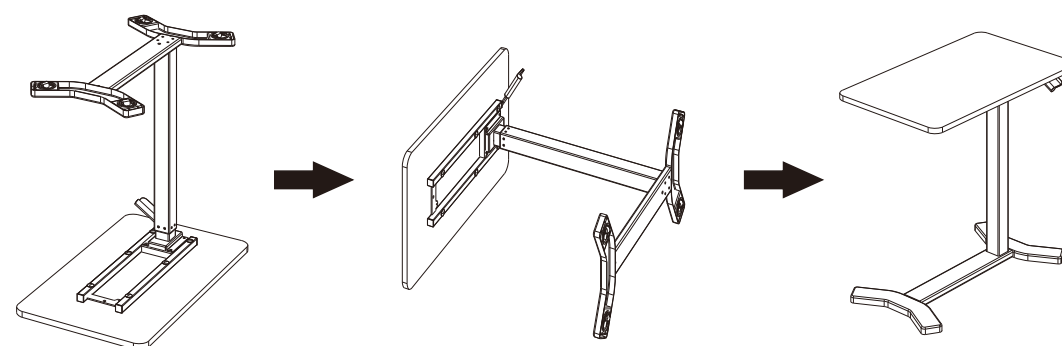


**STEP2**

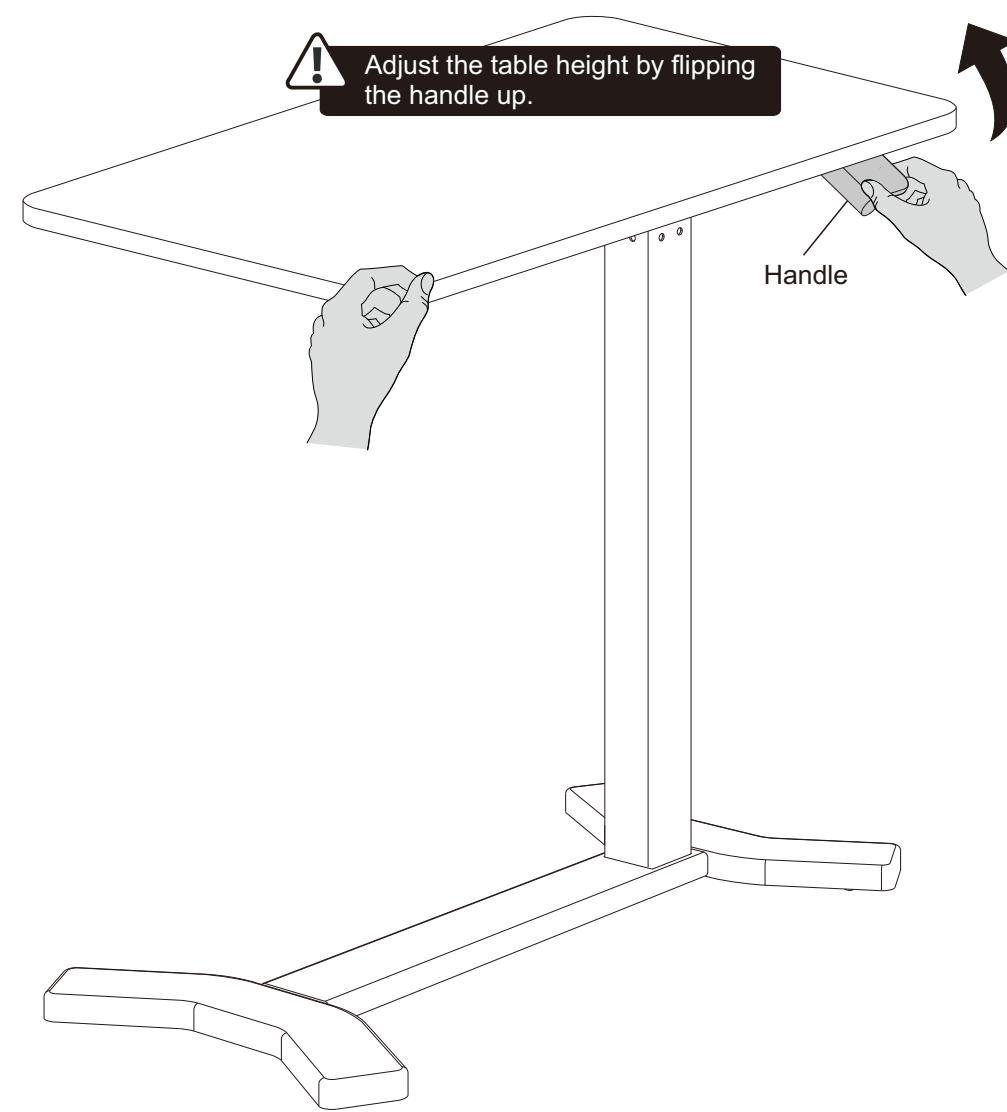
Install the foot

**STEP3**

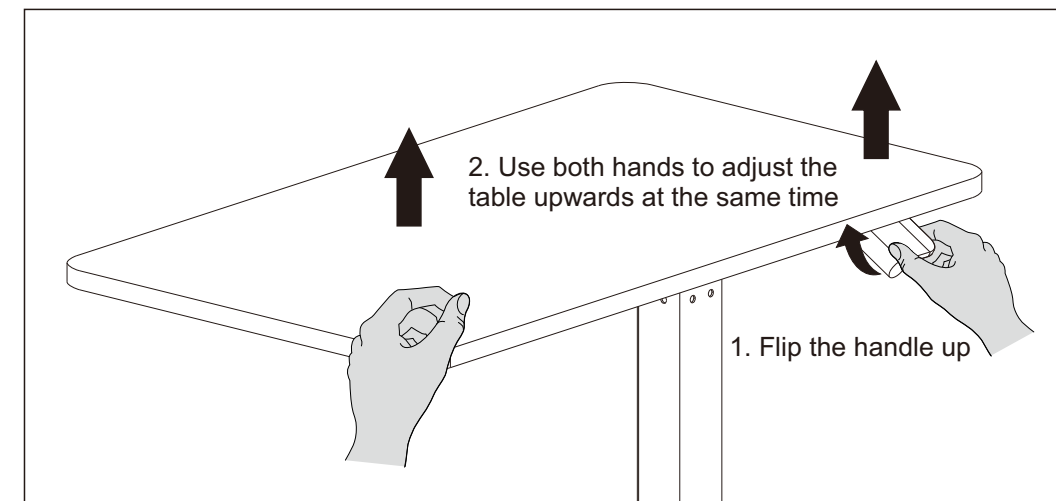
Flip the table

**STEP4**

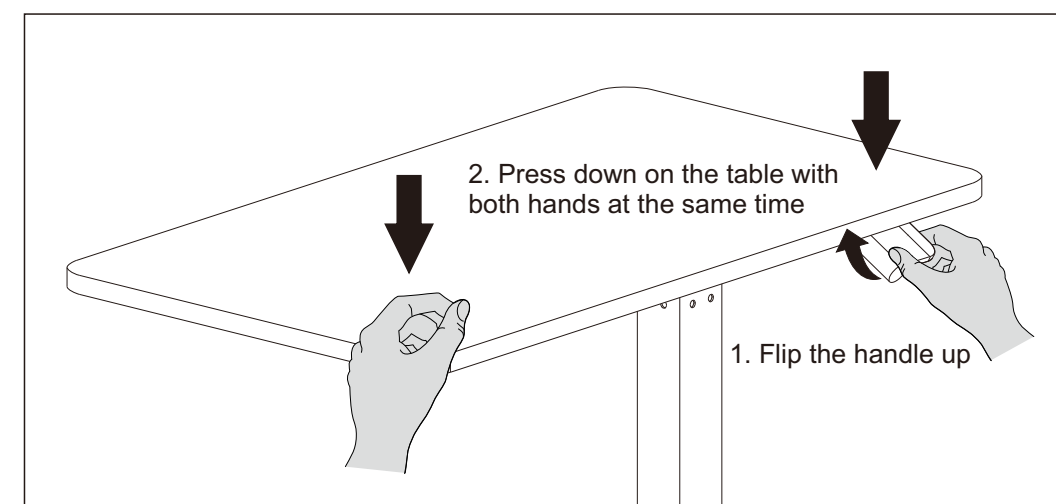
Adjust the table height



## ● Adjust height up



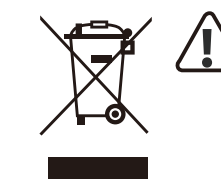
## ● Adjust height down

**Warning**

There's spare parts in the package, which will lead to asphyxia if swallowed by accident. Please keep out of the reach of children for the spare parts.

- Make sure you have read and comprehend the manual for installation. Please contact the specialized persons if there's any confusion in the steps.
- Children are forbidden to play on the product because of unforeseen action when playing, so any dangerous consequences caused by this improper action will not be on.
- This appliance can be used by children aged from 7 years and above and persons with reduced physical, sensory or mental capabilities or lack of experience and knowledge if they have been given supervision or instruction concerning use of the appliance in a safe way and understand the hazards involved. Children shall not play with the appliance.
- Children must not perform cleaning and user maintenance without supervision.
- Please make sure there is no hazard sources in your operating environment. e.g., do not litter the tools around. Always be careful to treat the packaging materials in order to avoid any possible danger, e.g. plastic bag may lead to choking hazard to children.
- Keep the original package of the equipment if necessary in case of the future use in transportation.

## Waste disposal



This marking indicates that this product should not be disposed with other household wastes. To prevent possible harm to the environment or human health from uncontrolled waste disposal, recycle it responsibly to promote the sustainable reuse of material resources. To return your used device, please use the return and collection systems or contact the retailer where the product was purchased. They can take this product for environmental safe recycling.