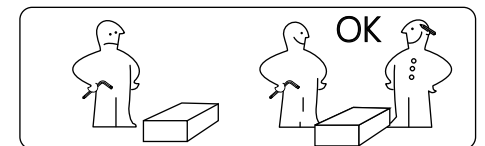
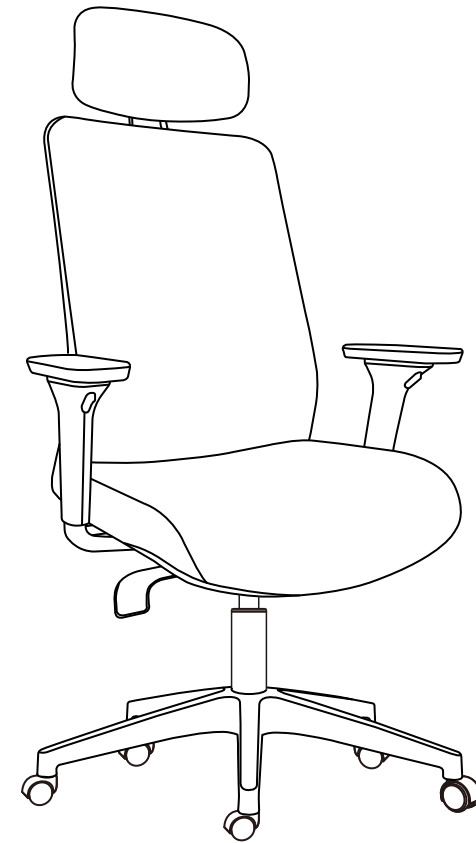


SANTO 18422, 18423



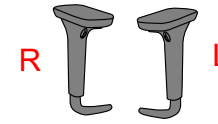
Components



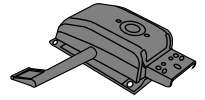
Ax1



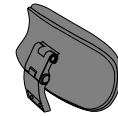
Bx1



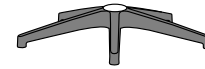
Cx2



Dx1



Ex1



Hx1



Ix1



Jx5

Hardware



Lx2 (M6*20)



Mx6 (M6*35)



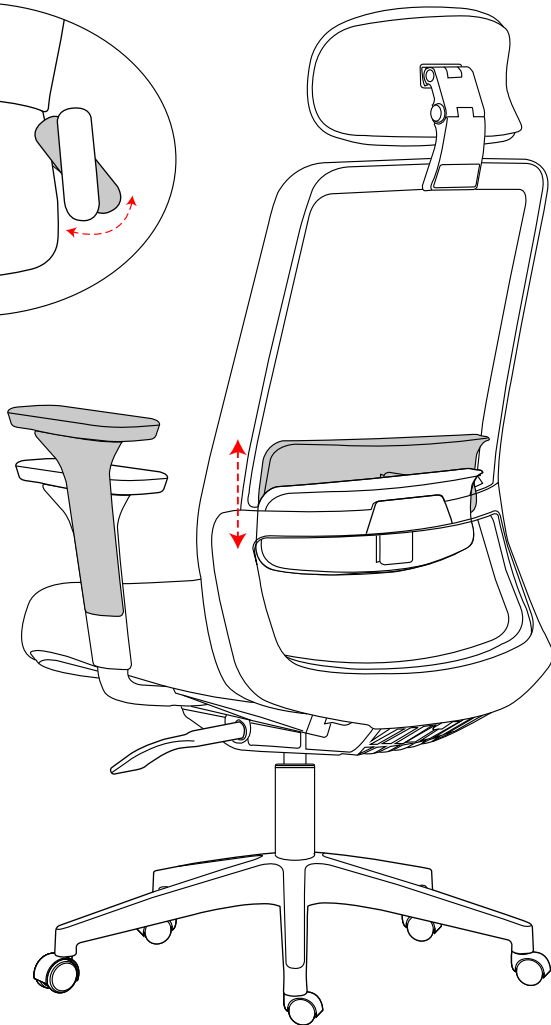
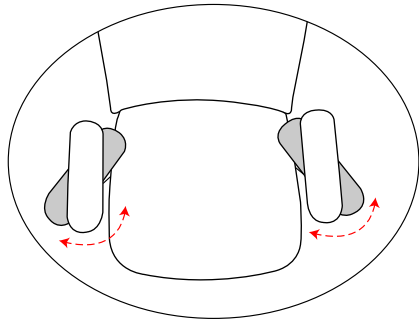
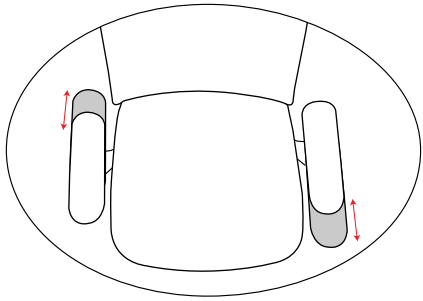
Nx7 (M8*25)



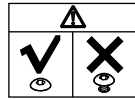
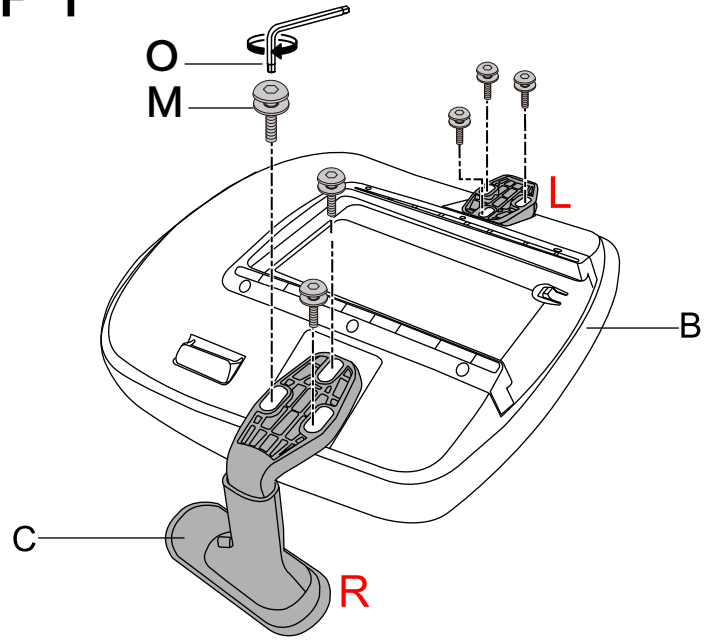
Ox1 (M5)



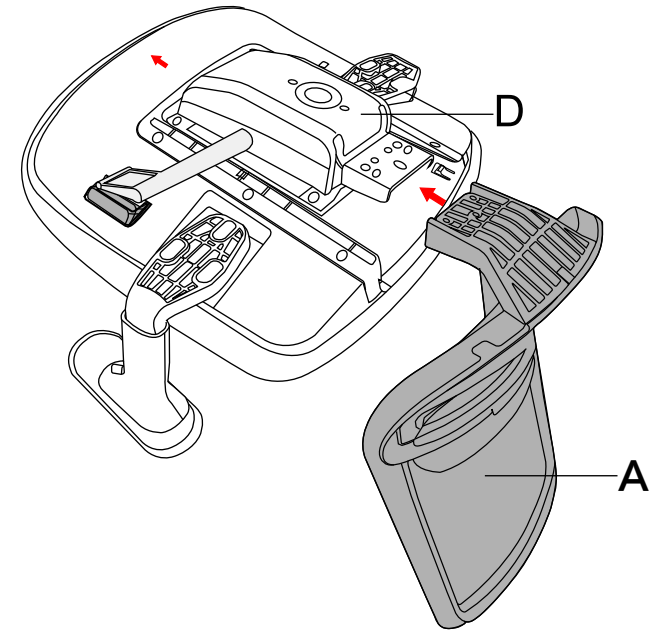
Px1



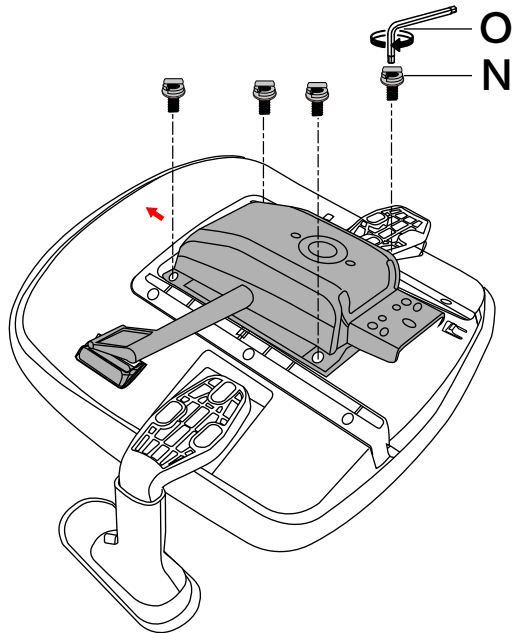
STEP 1



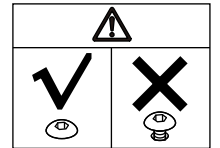
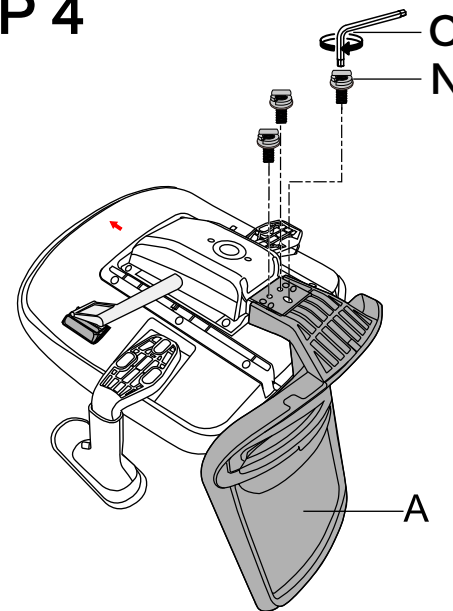
STEP 3



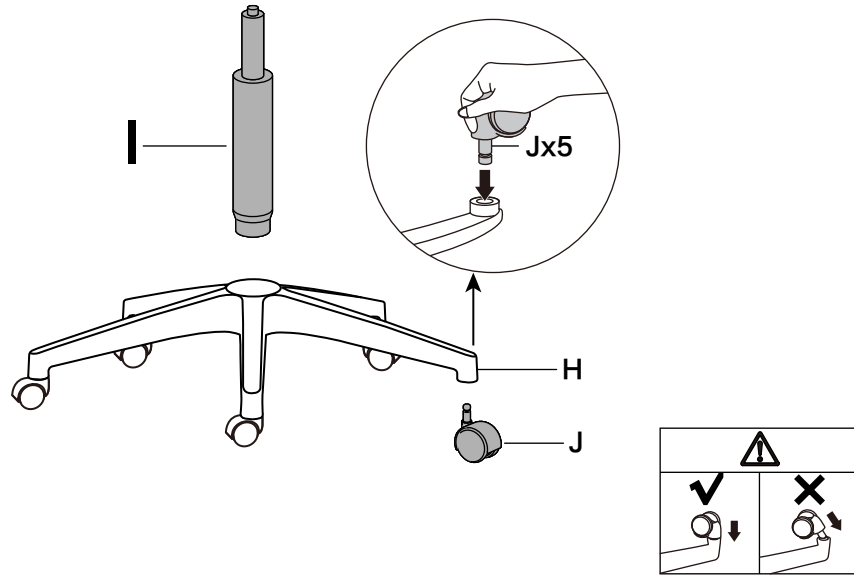
STEP 2



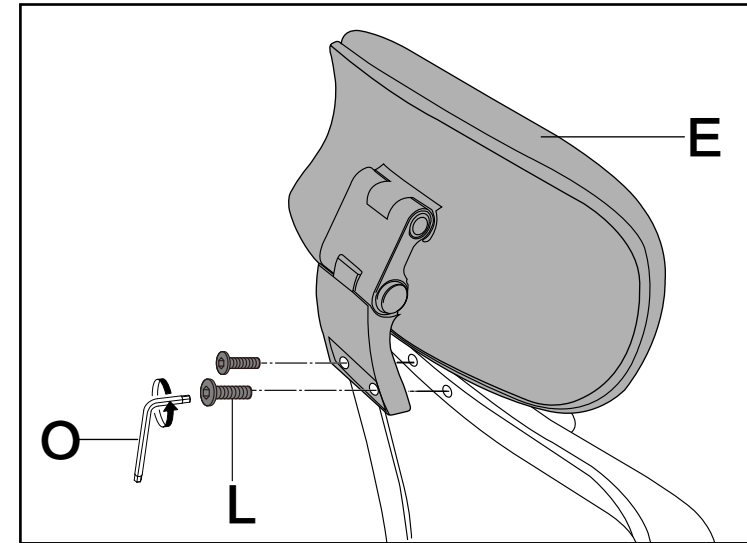
STEP 4



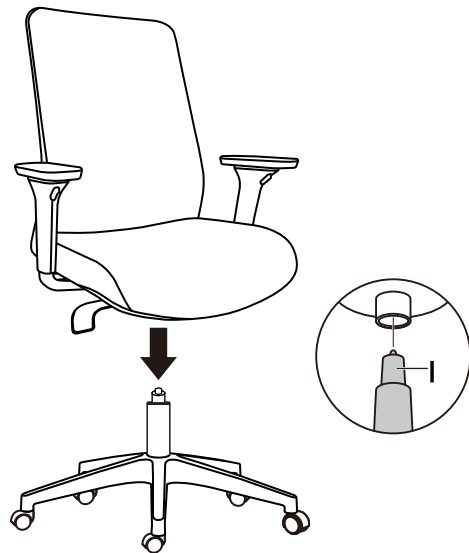
STEP 5



STEP 7



STEP 6



STEP 8

