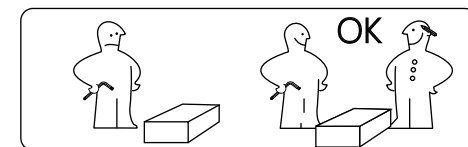
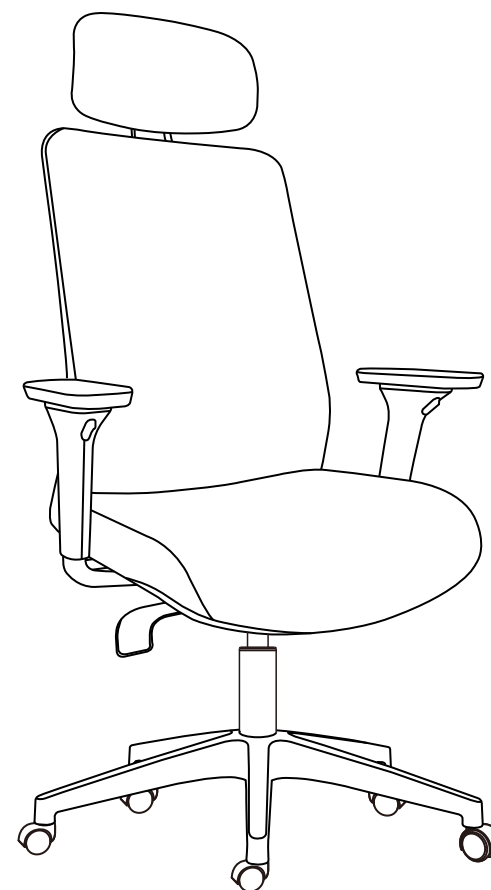


**SANTO 18421**



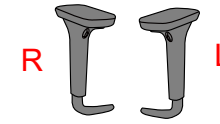
## Components



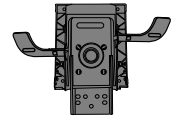
Ax1



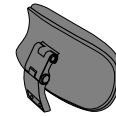
Bx1



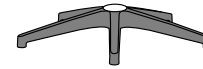
Cx2



Dx1



Ex1



Hx1



Ix1



Jx5

## Hardware



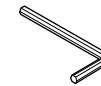
Lx2 (M6\*20)



Mx6 (M6\*35)



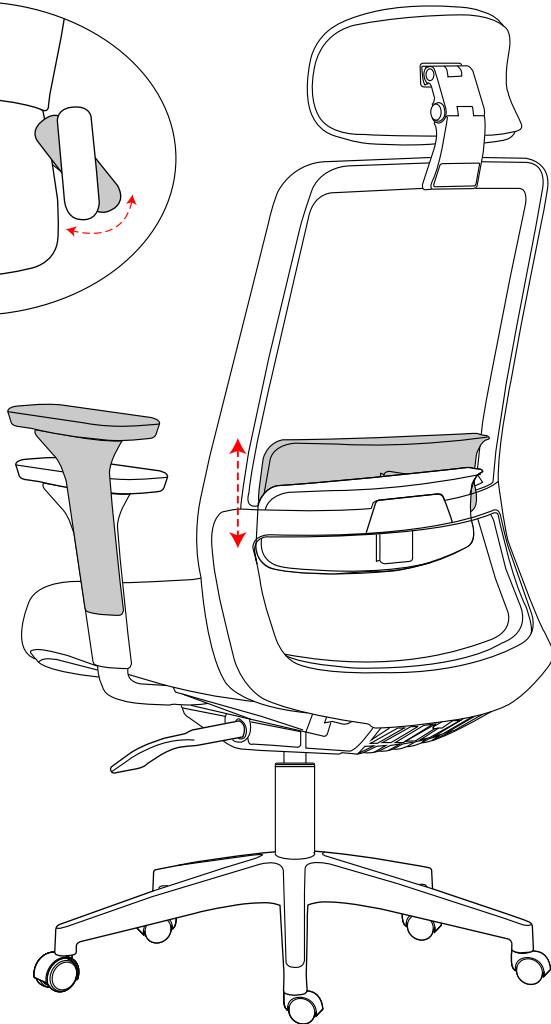
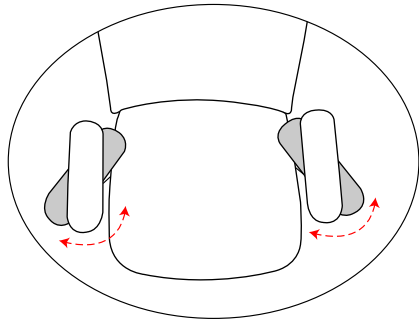
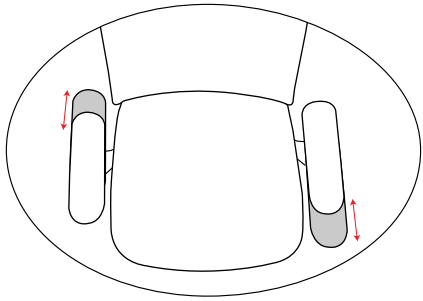
Nx3 (M8\*25)



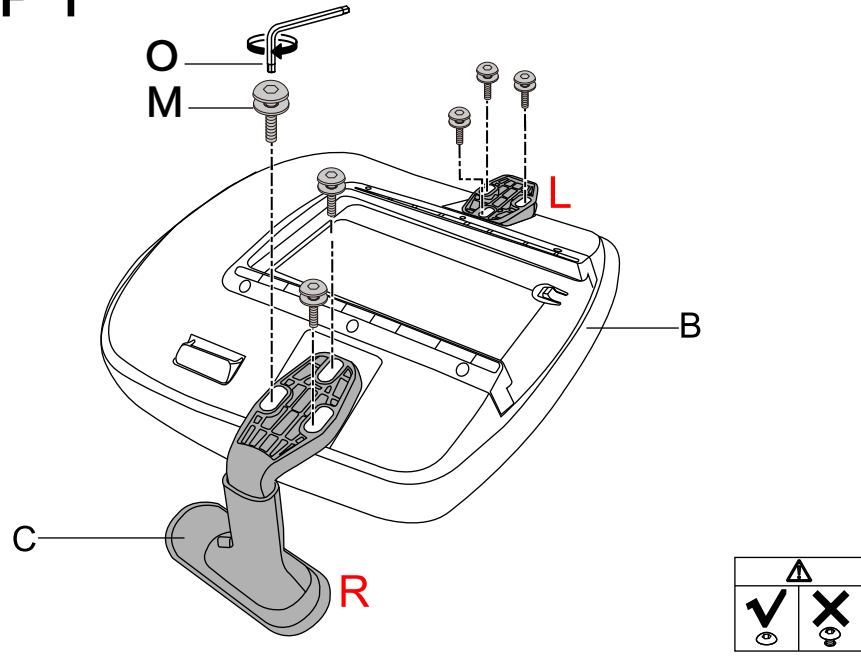
Ox1 (M5)



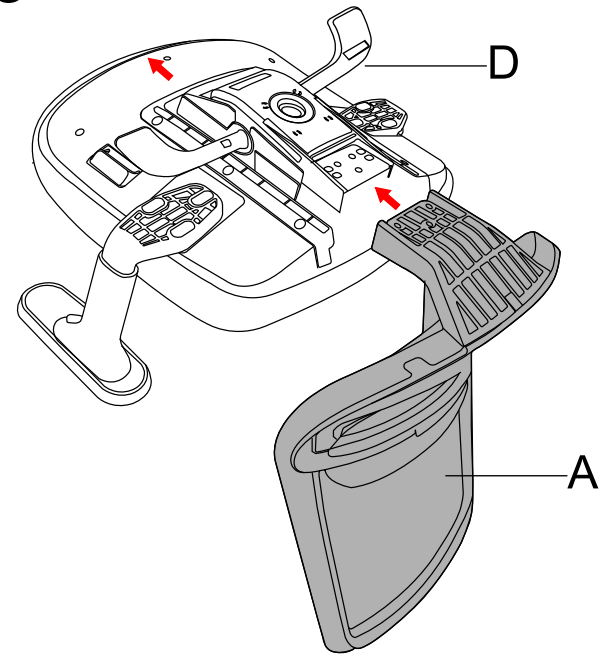
Px1



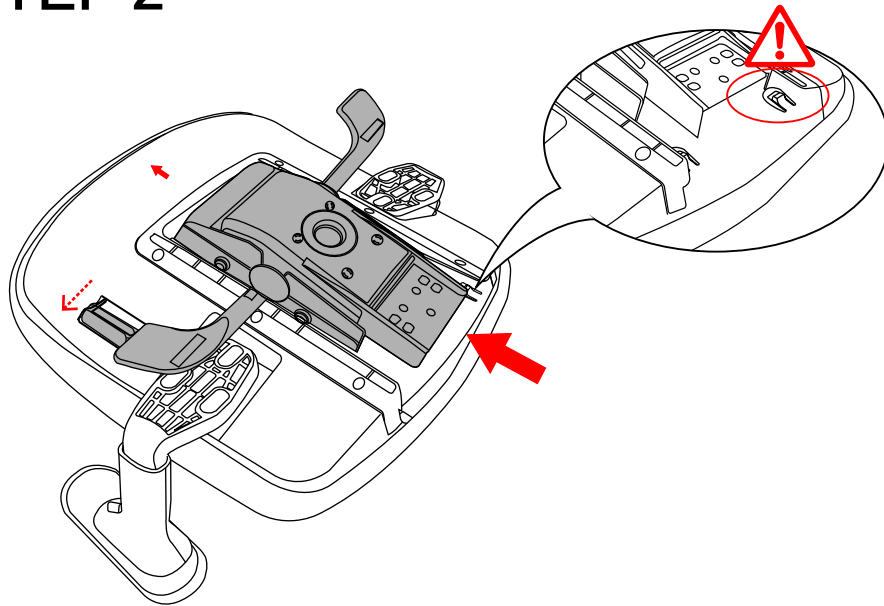
# STEP 1



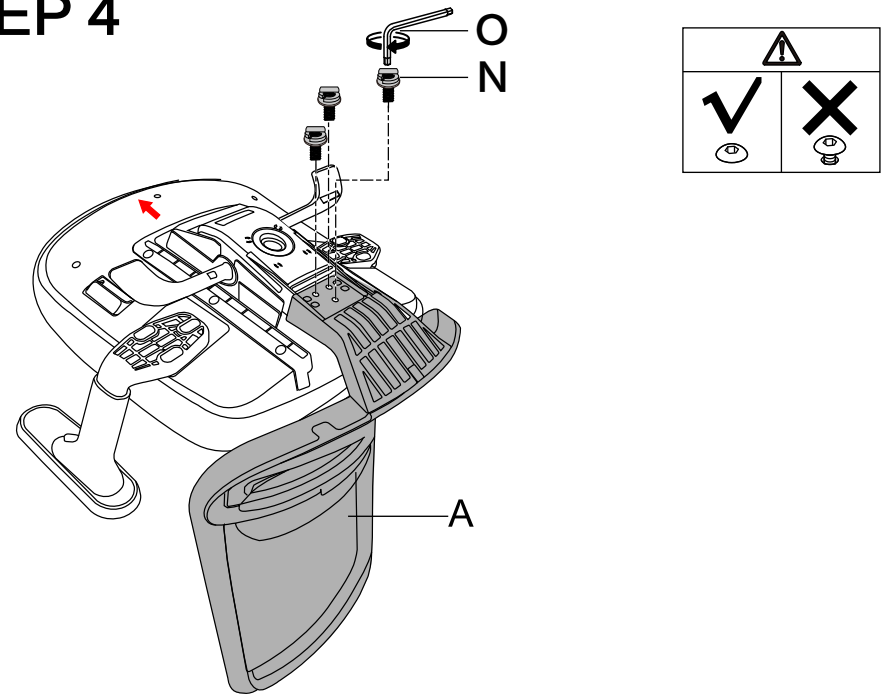
# STEP 3



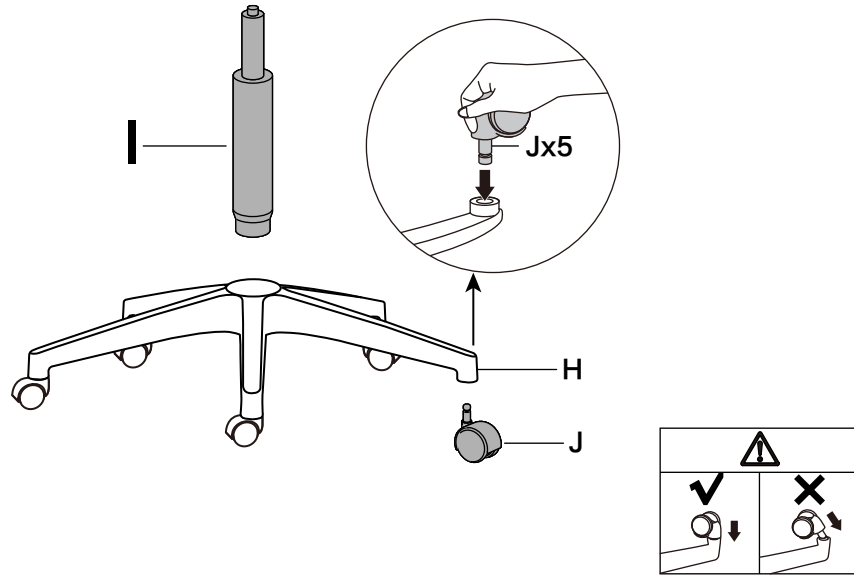
# STEP 2



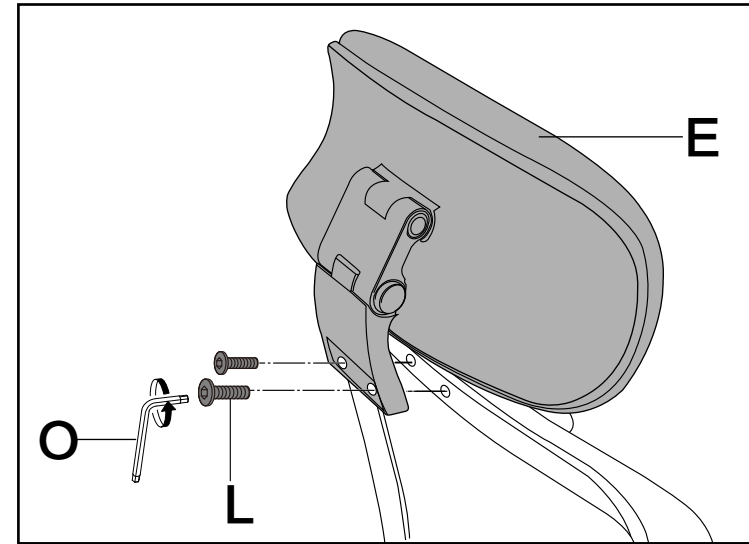
# STEP 4



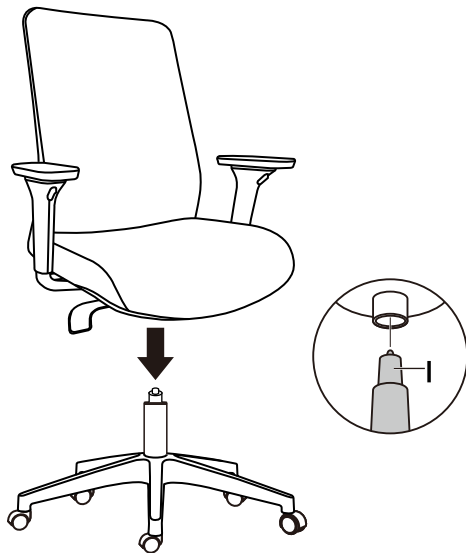
## STEP 5



## STEP 7



## STEP 6



## STEP 8

