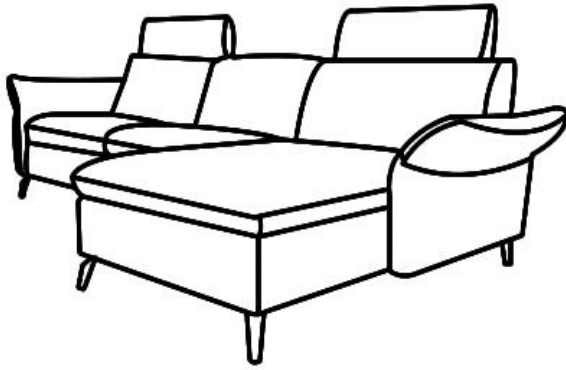


GB302AR 3ALP-CT+CR



No.	HARDWARE	SPECIFICATION	QTY
A		13.5cm	6PCS
B		50*60mm	2PCS
C		Φ38*130mm	2PCS
D		Φ45/60*130mm	1PCS
E		M6*30mm	24PCS
F		M6MM	24PCS
G		M6*16MM	24PCS
H		M4*23*61MM	2PCS

I 	J 	K 	L 	M 	N
-------	-------	-------	-------	-------	-------

1

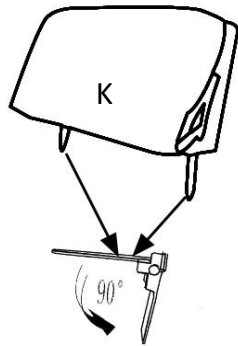
A X3 B X2 C X1 E X12 F X12 G X12 H X1 I X1	
---	--

2

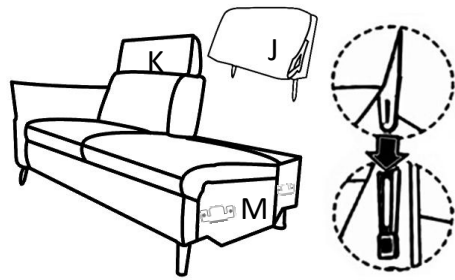
3

4

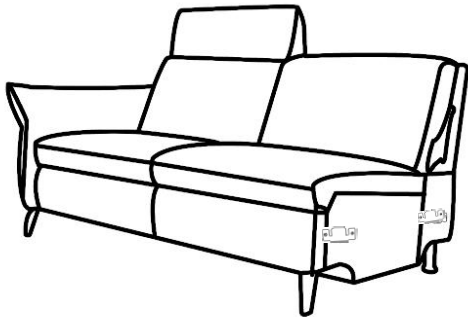
5



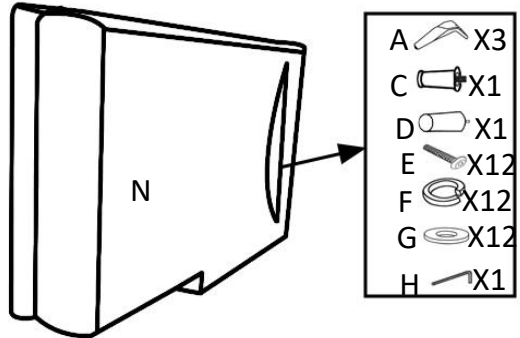
6



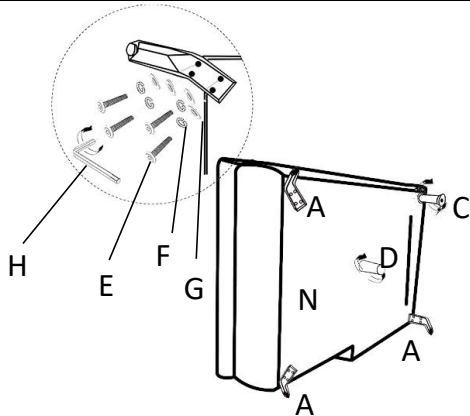
7



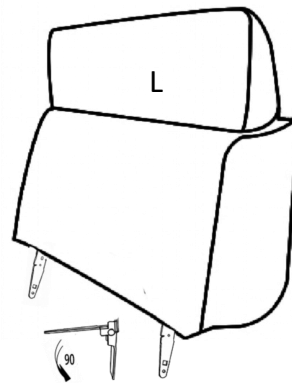
8



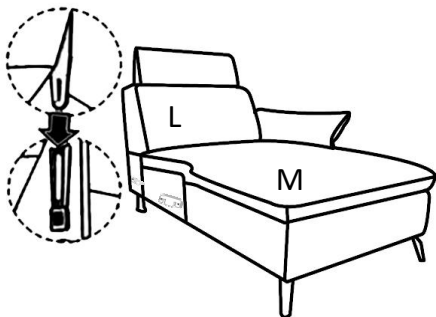
9



10



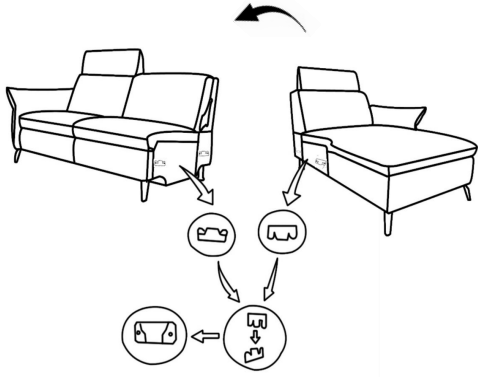
11



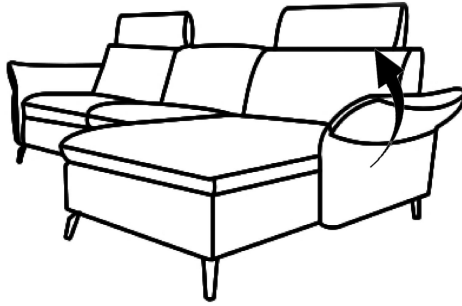
12



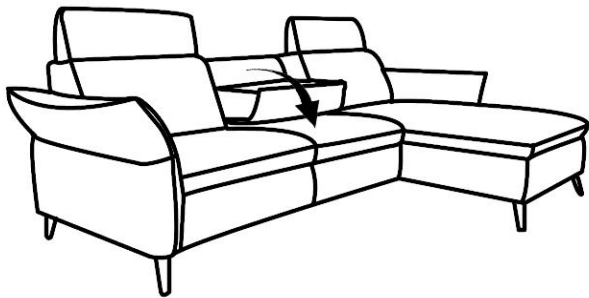
13



14



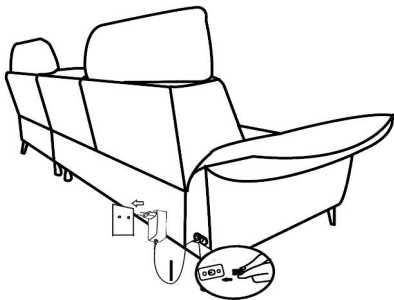
15



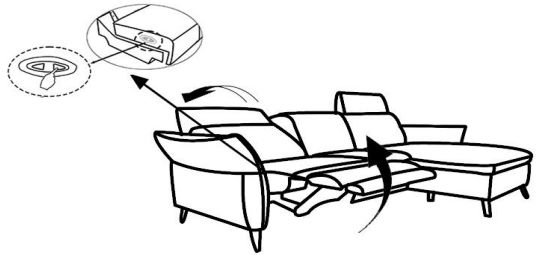
16



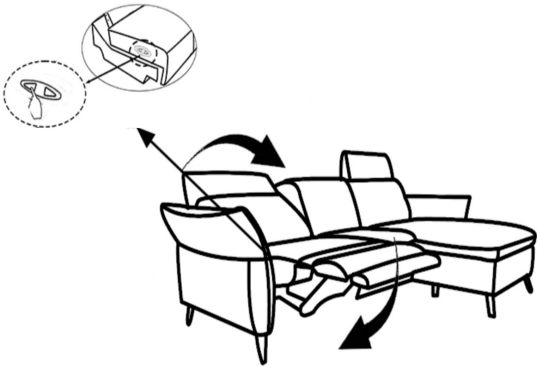
17



18



19



20

