

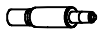

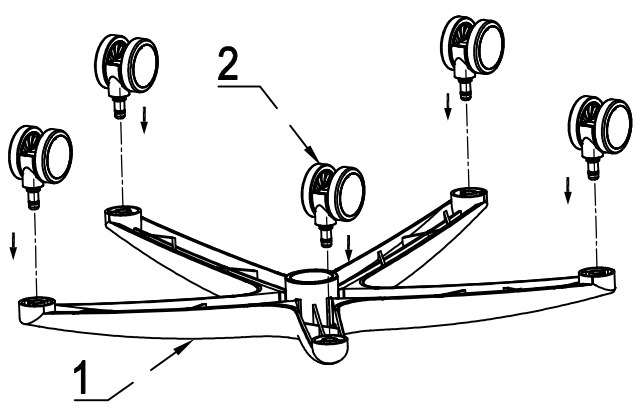


| NO. | PARTS PHOTO | DESCRIPTION | QTY |
|-----|---|---------------|-----|
| 1 |  | BASE | 1 |
| 2 |  | CASTORS | 5 |
| 3 |  | GAS LIFT | 1 |
| 4 |  | BACK AND SEAT | 1 |

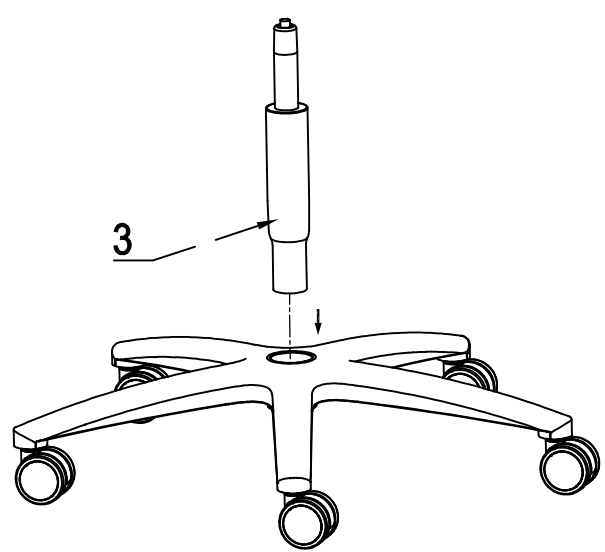
A060

ASSEMBLY INSTRUCTION

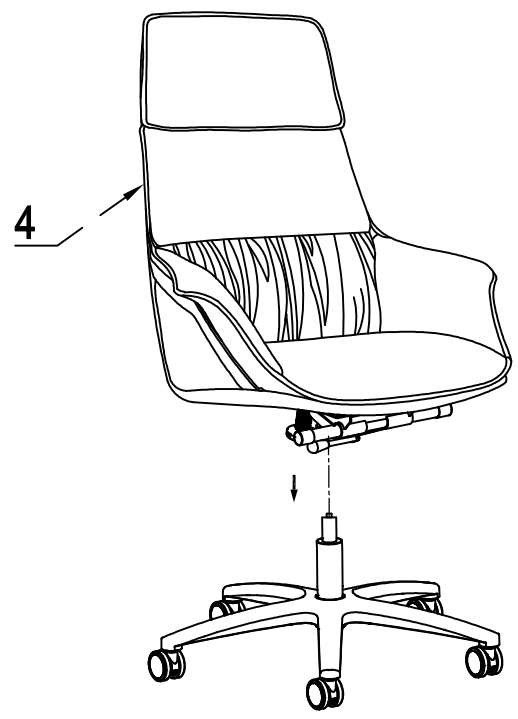
1



2



3



4

