







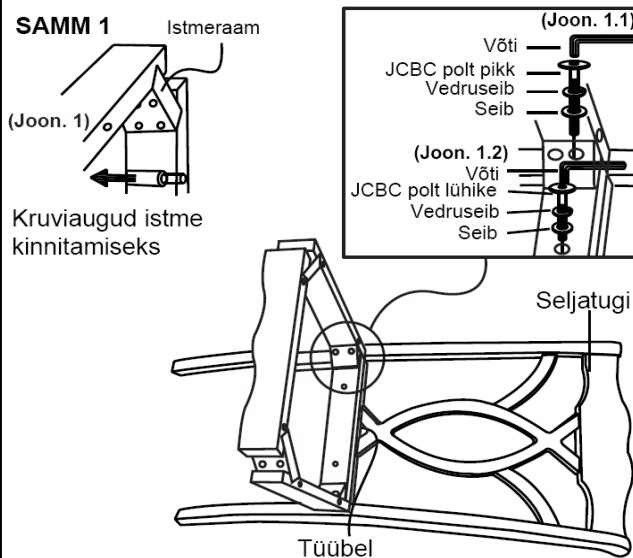
KINNITUSVAHENDID :

					
Puidukruvi 6tk	(Lühike) JCBC polt 2tk	(Pikk) JCBC polt 8tk	Vedruselib 10tk	Seib 10tk	Võti 1tk

KOKKUPANEMINE:

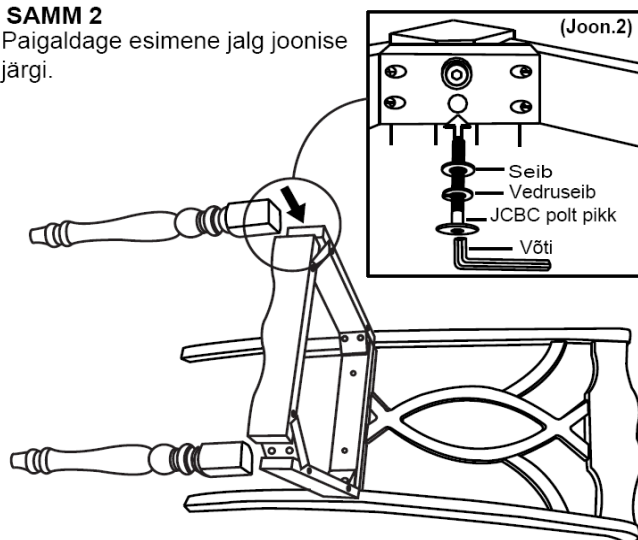
- Asetage tooli seljatugi tasasele puhtale aluspinnale (näiteks vaip). Paigutage istmeraam seljatoe peale nii, et ettepuuritud augud jääksid kohakuti tüüblitega.
 - Pange pikad JCBC poldid läbi vedruselib ja seibi ja keerake istmeraamis tagumistes nurkades olevatesse ettepuuritud aukudesse.
 - Pange lühikesed JCBC poldid läbi vedruselib ja seibi ja keerake istmeraami tagumise küljes olevatesse ettepuuritud aukudesse.
- Kinnitage raami külge esimesed jalad. Pange pikad JCBC poldid läbi vedruselib ja seibi ja keerake istmeraami esimestes nurkades olevatesse ettepuuritud aukudesse.

SAMM 1



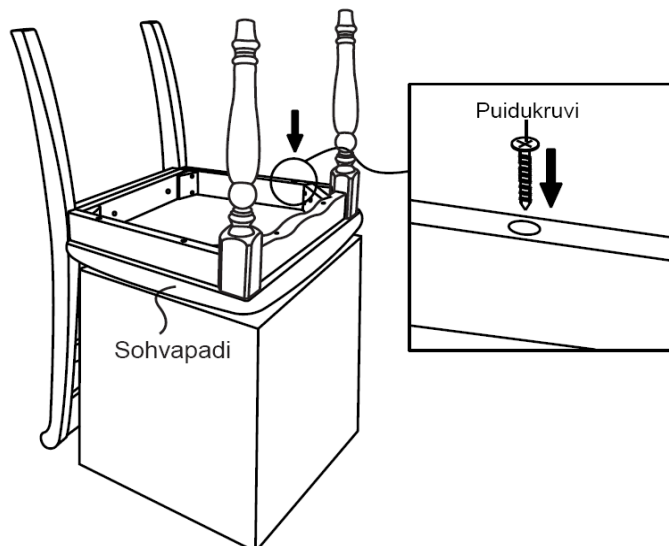
SAMM 2

Paigaldage esimene jalg joonise järgi.



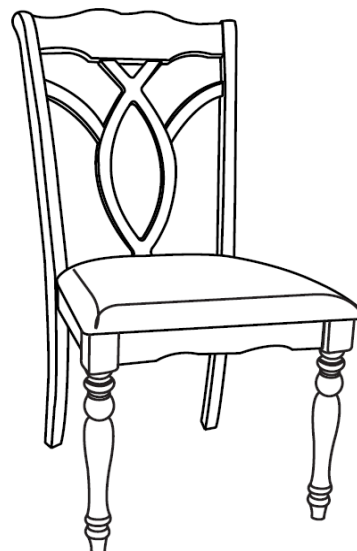
SAMM 3

Tõstke tool tagurpidi laua servale ja kinnitage iste puidukruviga istmeraami külge. Auk on ette puuritud.









SAMM 4

Keerake tool õigetpidi. Kontrollige, et tool seisab stabiilselt ja keerake kõik kruvid ja poldid lõplikult kinni.

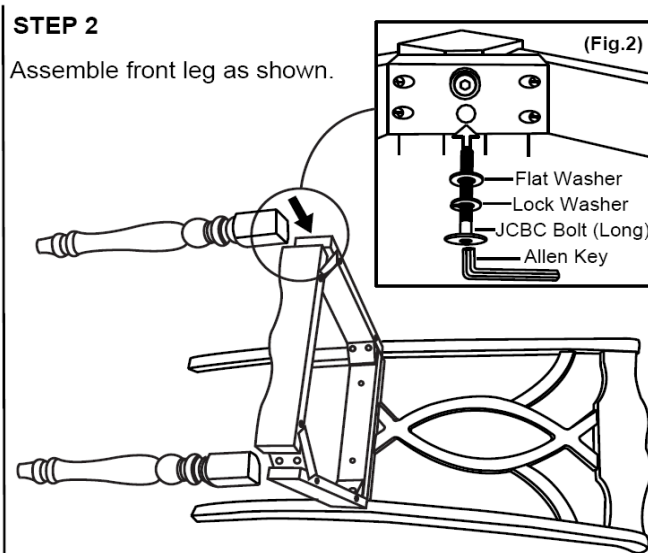
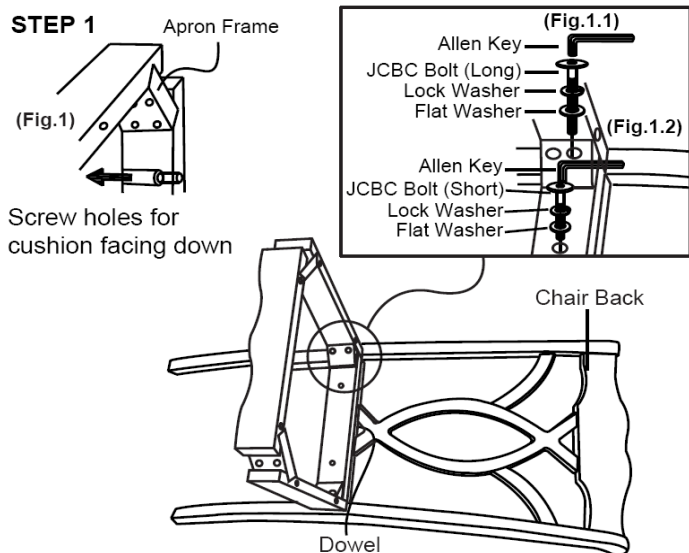


HARDWARE PARTS :

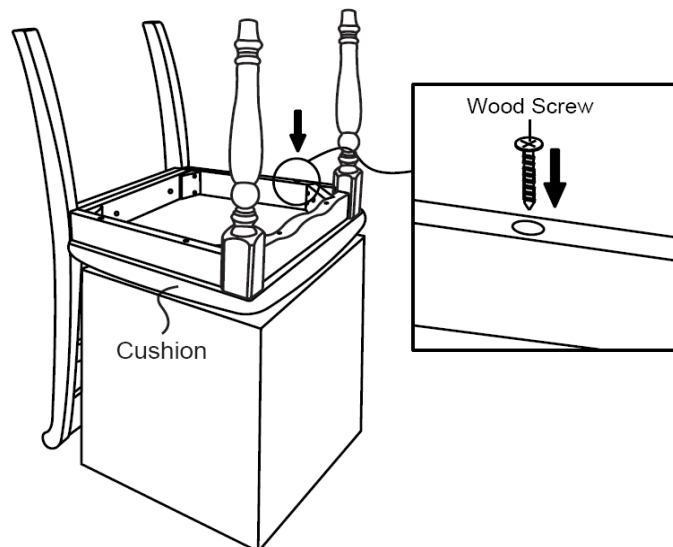
					
Wood Screw 6 pcs	(Short) JCBC Bolt 2 pcs	(Long) JCBC Bolt 8 pcs	Lock Washer 10 pcs	Flat Washer 10 pcs	Allen Key 1 pce

ASSEMBLY:

- Position the chair back on a soft surface such as a carpet. Place the chair apron frame on to the middle rail of the chair back with the dowel fully inserted into the pre-drilled hole. Make sure that the screw holes on the apron frame are facing down.
 - Insert **JCBC Bolt (Long)** through a **Lock Washer** and a **Flat Washer** into the pre-drilled holes on the apron frame at rear corners.
 - Insert the **JCBC Bolt (Short)** through a **Lock Washer** and a **Flat Washer** into the pre-drilled holes on the apron frame at rear rail.
- Insert the **JCBC Bolt (Long)** through a **Lock Washer**, a **Flat Washer** and the pre-drilled holes of corner block into the pre-drilled holes on the front leg, tighten the **JCBC Bolt** with **Allen Key** provided.



- STEP 3**
- Flip chair upside down and secure the cushion with the **Wood Screw** through the pre-drilled holes on the apron frame.



- STEP 4**
- Turn the chair upright. Check its balance and tighten all screws and bolts to complete the assembly.

