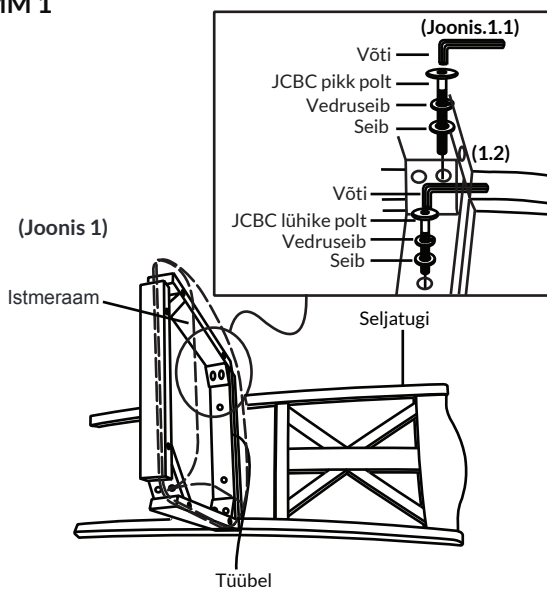

Kruvi 6 tk	Lühike JCBC pold 2 tk	Pikk JCBC pold 8 tk	Vedruseib 10 tk	Seib 10 tk	Võti 1 tk

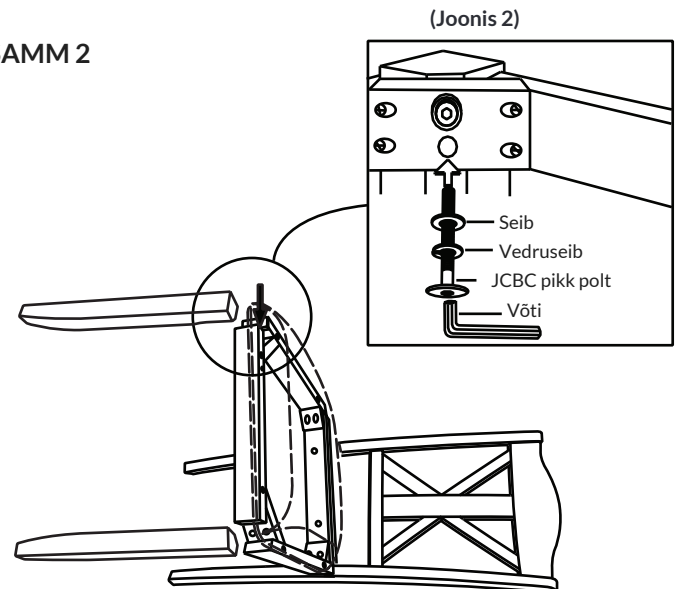
KOKKUPANEMINE:

- Asetage tooli seljatugi puhtale tasasele aluspinnale (näiteks vaip). Paigutage istmeraam seljatoe peale nii, et ettepuuritud augud jääksid tüüblitega kohakuti.
 - Pange pikad JCBC poldid läbi vedruseibi ja seibi ning keerake ettepuuritud aukudesse istmeraami tagumistes nurkades.
 - Pange lühikesed JCBC poldid läbi vedruseibi ja seibi ning keerake ettepuuritud aukudesse istmeraami tagumise külje sees.
- Paigaldage tooli esimesed jalad. Pange pikad JCBC poldid läbi vedruseibi ja seibi ning keerake ettepuuritud aukudesse istmeraami nurgaplokis. Keerake poldid võtmega kinni, kuid ärge pingutage veel lõpuni.

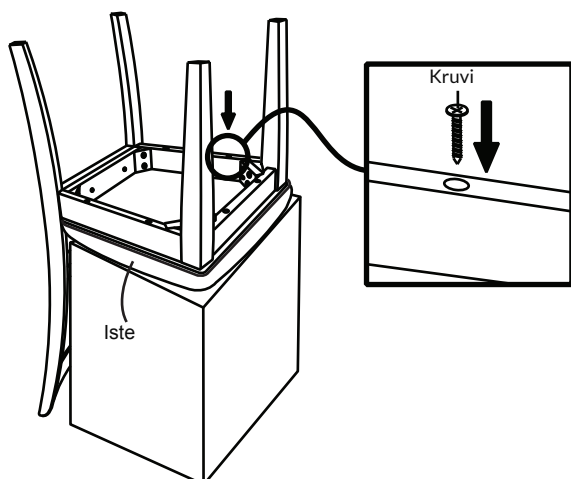
SAMM 1



SAMM 2

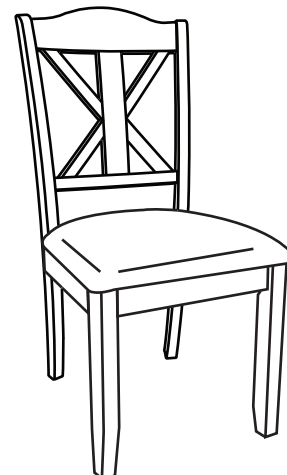








SAMM 3



SAMM 4

Keerake tool õigetpidi. Kontrollige, kas tool seisab stabiilselt. Keerake nüüd kõik poldid lõpuni kinni.

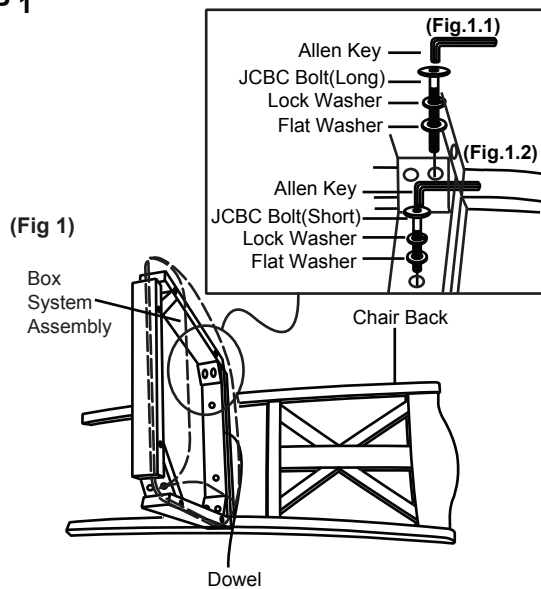


					
Drywall Screw 6 pcs	(Short) JCBC Bolt 2 pcs	(Long) JCBC Bolt 8 pcs	Lock Washer 10 pcs	Flat Washer 10 pcs	Allen Key 1 pce

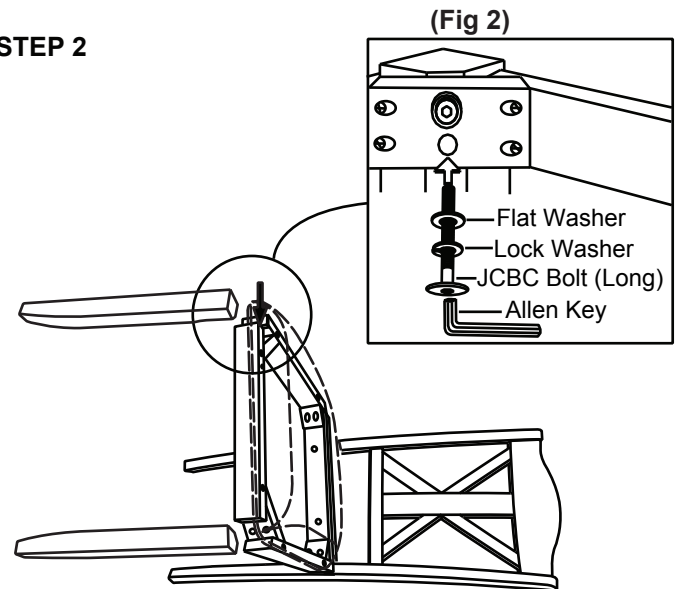
ASSEMBLY:

1. Position the chair back on a soft surface such as a carpet. Place the Box system assembly (Cushion is pre-attached to the seat frame in assembly) on to the middle rail of the chair back with the dowel fully inserted into the pre-drilled hole.
 - 1.1 Insert **JCBC Bolt (Long)** through a **Lock Washer** and a **Flat Washer** into the pre-drilled holes on the apron frame at rear corners.
 - 1.2. Insert the **JCBC Bolt (Short)** through a **Lock Washer** and a **Flat Washer** into the pre-drilled holes on the apron frame at rear rail.
2. Insert the **JCBC Bolt (Long)** through a **Lock Washer**, a **Flat Washer** and the pre-drilled holes of corner block into the pre-drilled holes on the front leg, tighten the **JCBC Bolt** with **Allen Key** provided.

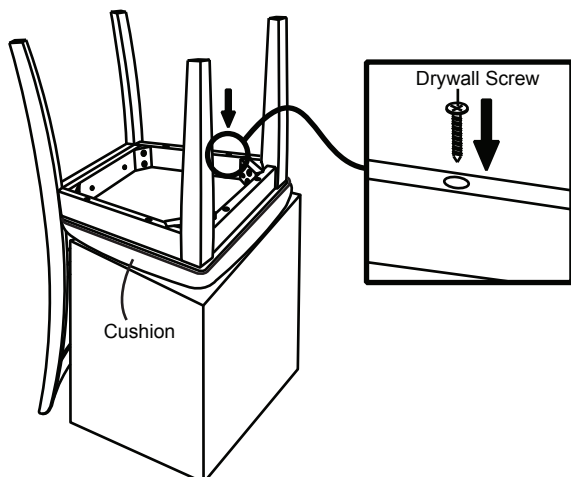
STEP 1



STEP 2



STEP 3



STEP 4

Turn the chair upright. Check its balance and tighten all screws and bolts to complete the assembly.

