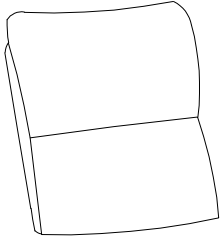
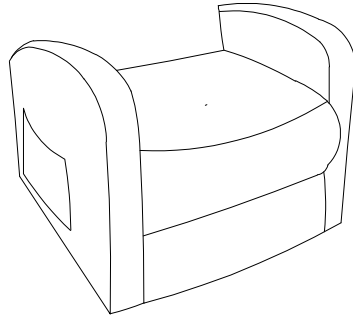


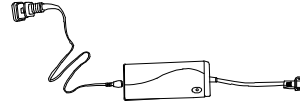
A*1



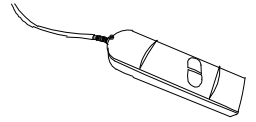
B*1



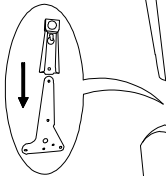
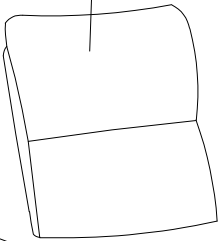
C*1



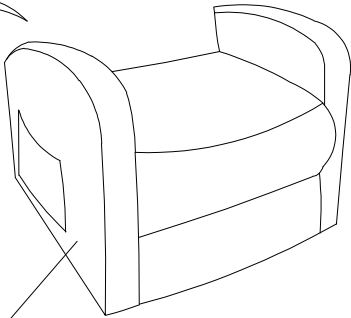
D*1



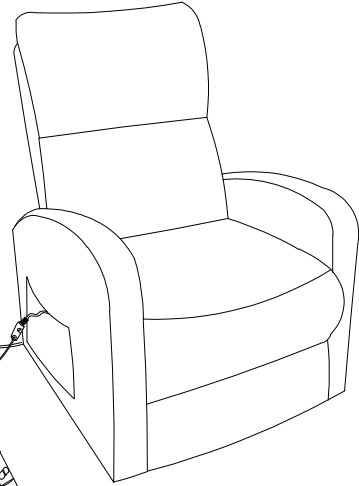
A



B



C



D

CD9929RF21D