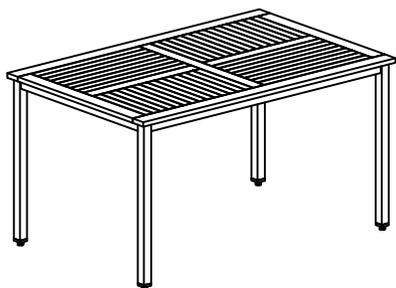
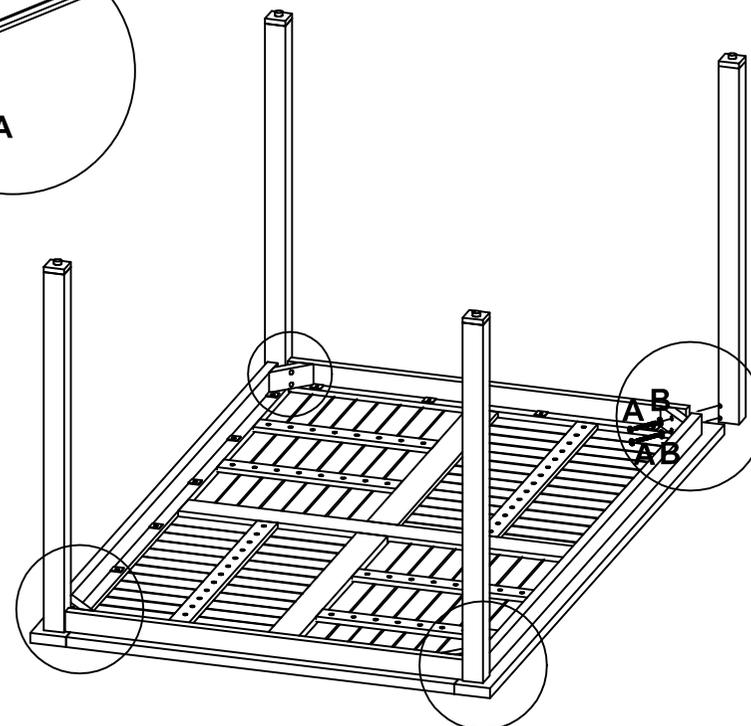
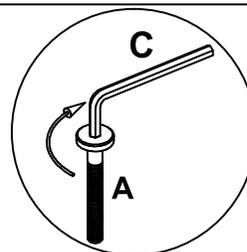
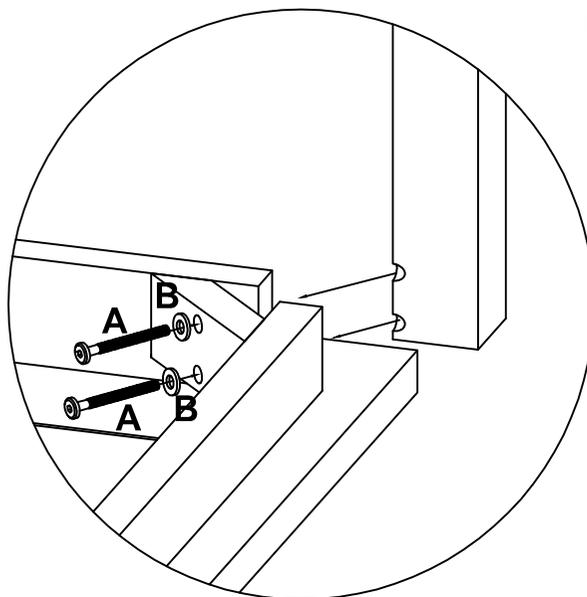


DESCRIPTION



ASSEMBLY INSTRUCTION

STEP 1



No.	HARDWARE LIST		Q.TY
A		6x55 Bolt	8
B		6x14x2 Washer	8
C		M4 Allenkey	1

STEP 2

