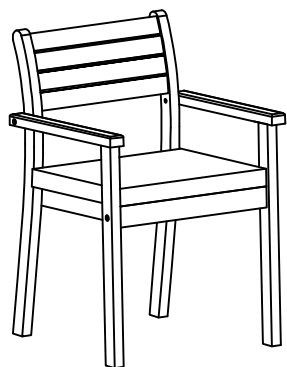
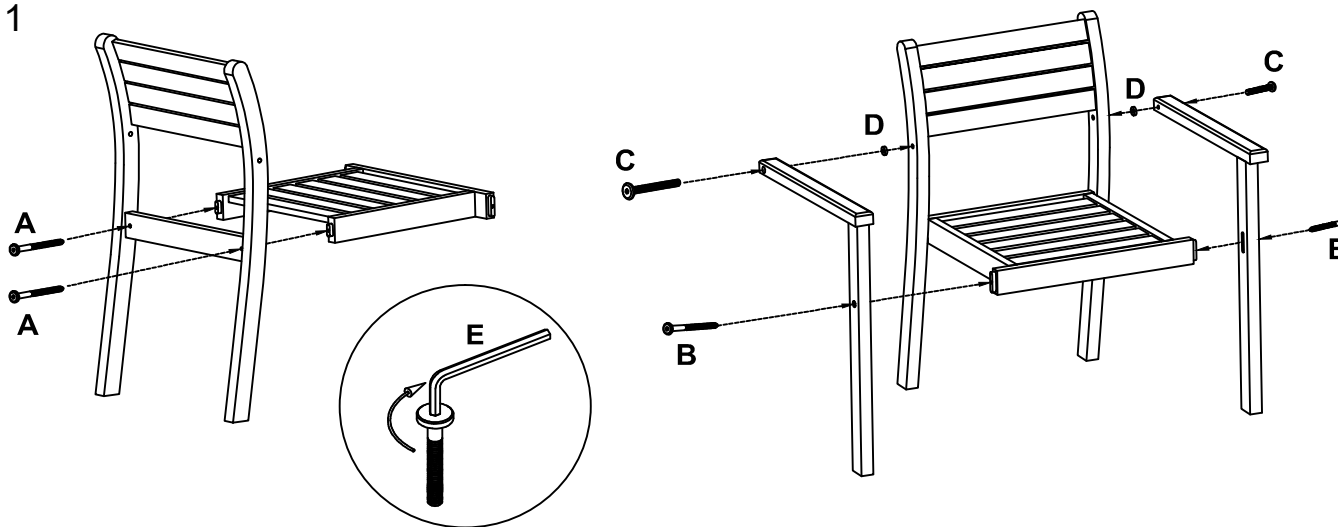



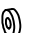



ASSEMBLY INSTRUCTION



STEP 1



A		7x60 mm	2 pcs
B		7x70 mm	2 pcs
C		8x70 mm	2 pcs
D		8x20x4 mm	2 pcs
E		M4	1 pcs

STEP 2

