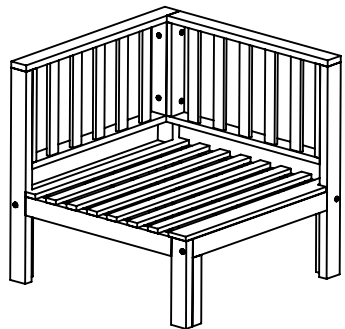


# ASSEMBLY INSTRUCTION



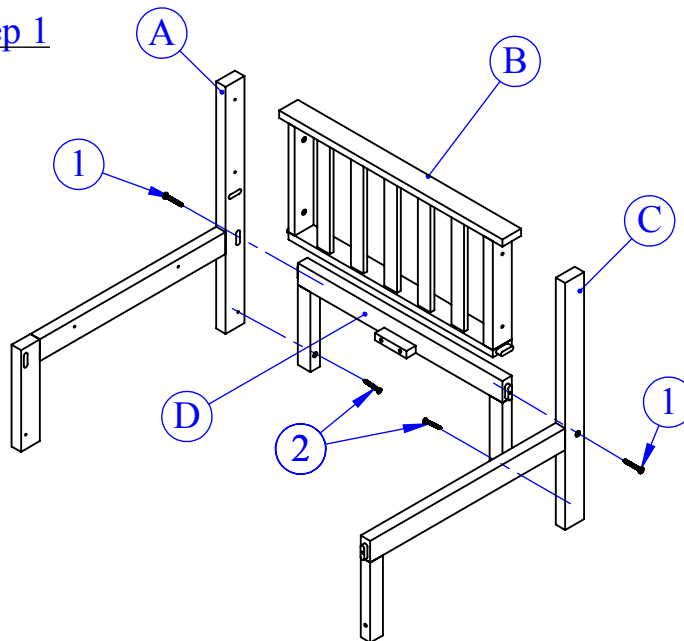
## COMPONENT LIST

<b>A</b>		<b>B</b>	
<b>C</b>		<b>D</b>	
<b>E</b>		<b>F</b>	

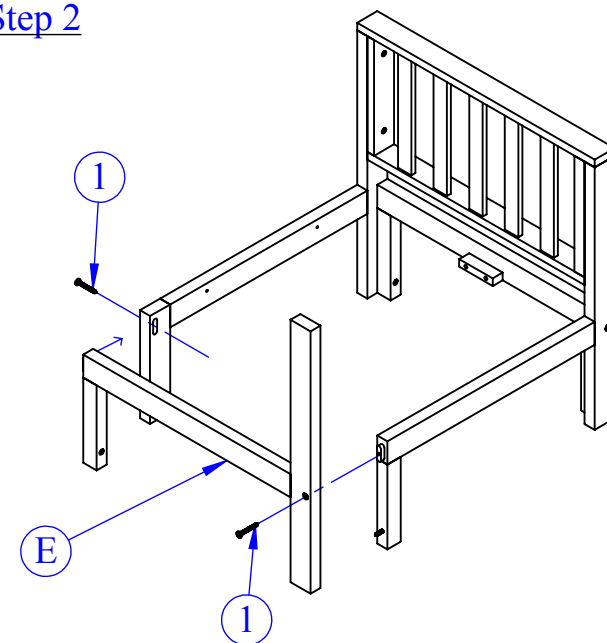
## HARDWARE LIST

①		7x50x15	4 Pcs
②		7x60x15	4 Pcs
③		7x40x15	8 Pcs
④		M4	2 Pcs

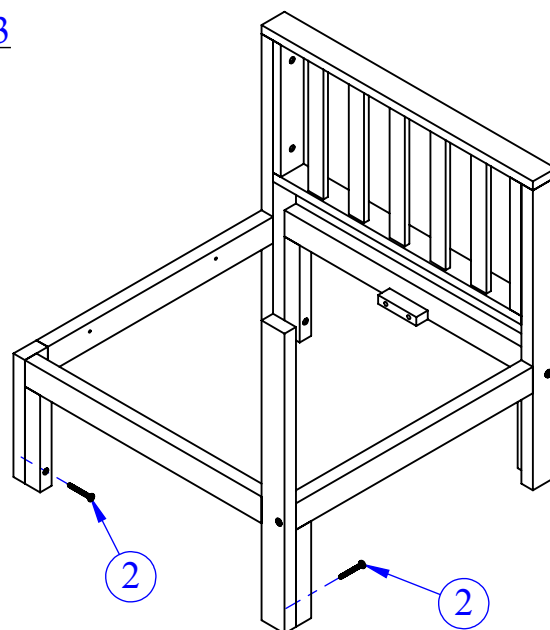
### Step 1



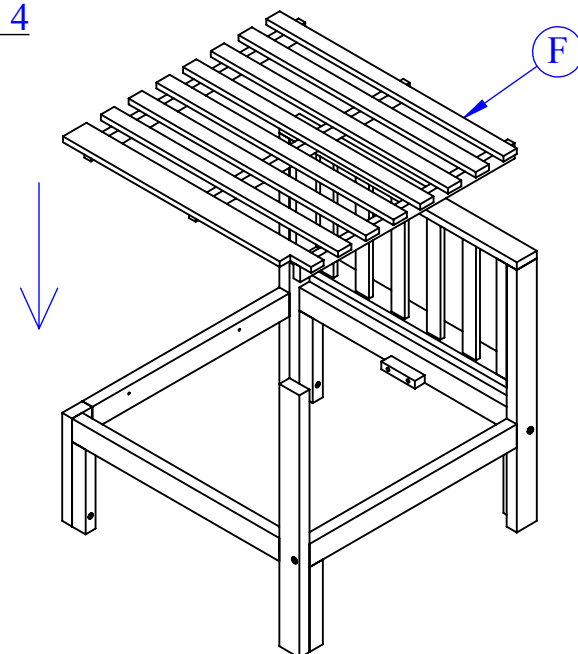
### Step 2



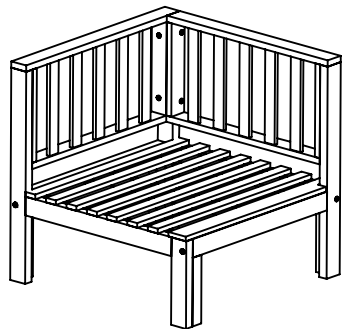
### Step 3



### Step 4

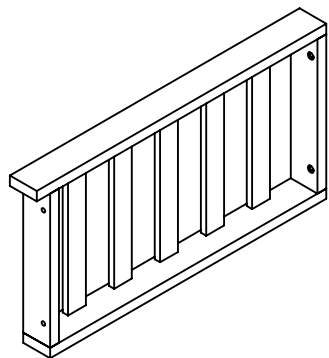


# ASSEMBLY INSTRUCTION



## COMPONENT LIST

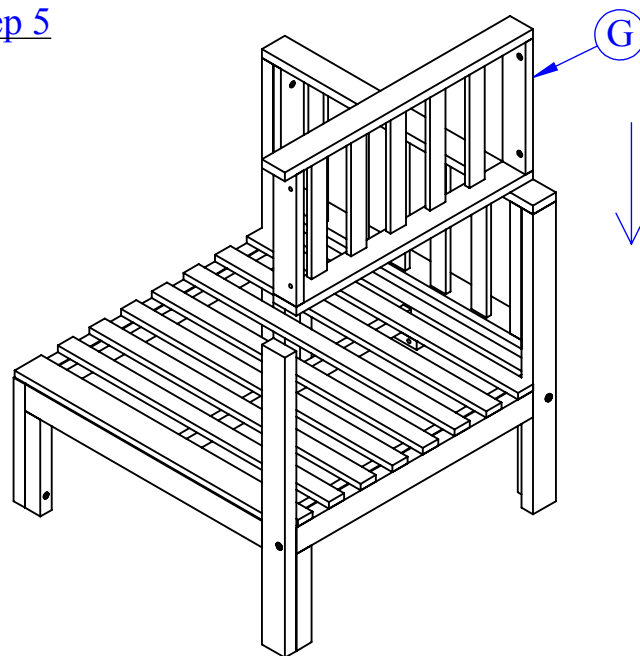
**G**



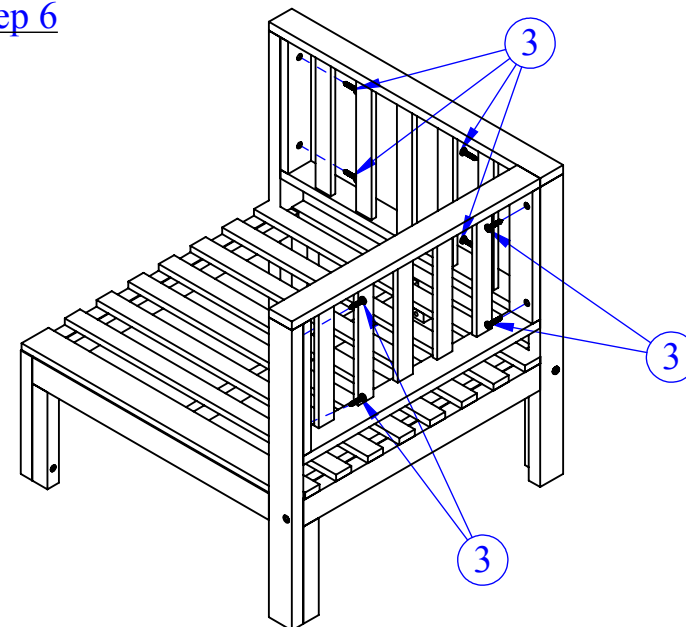
## HARDWARE LIST

5		6x35x13	4 Pcs
---	--	---------	-------

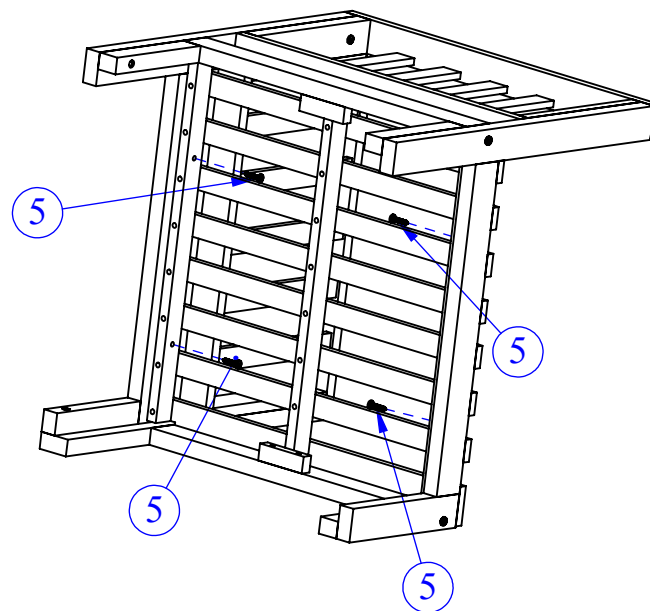
Step 5



Step 6



Step 7



Finish

