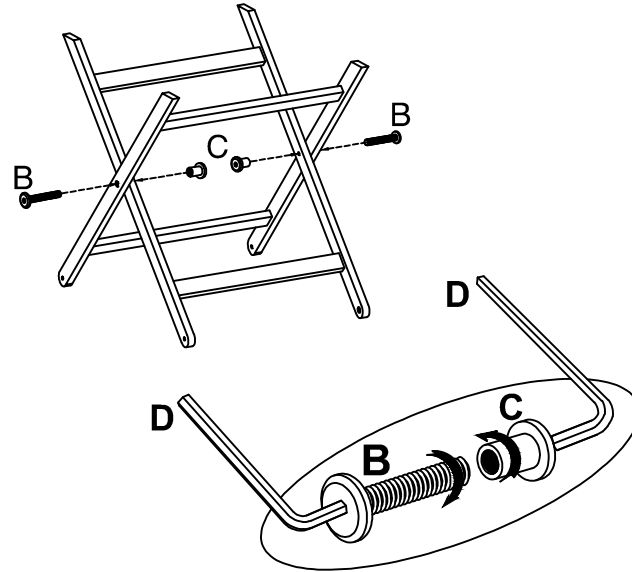


DESCRIPTION

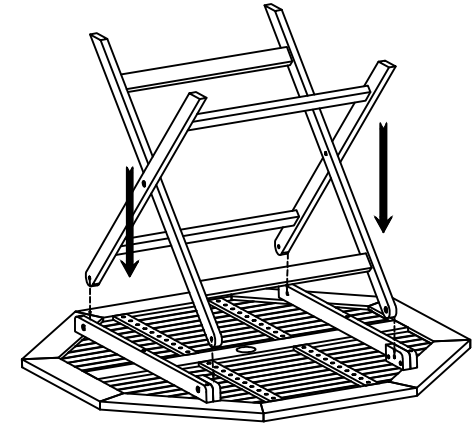




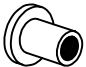
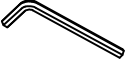
# ASSEMBLY INSTRUCTIONS

## STEP 1

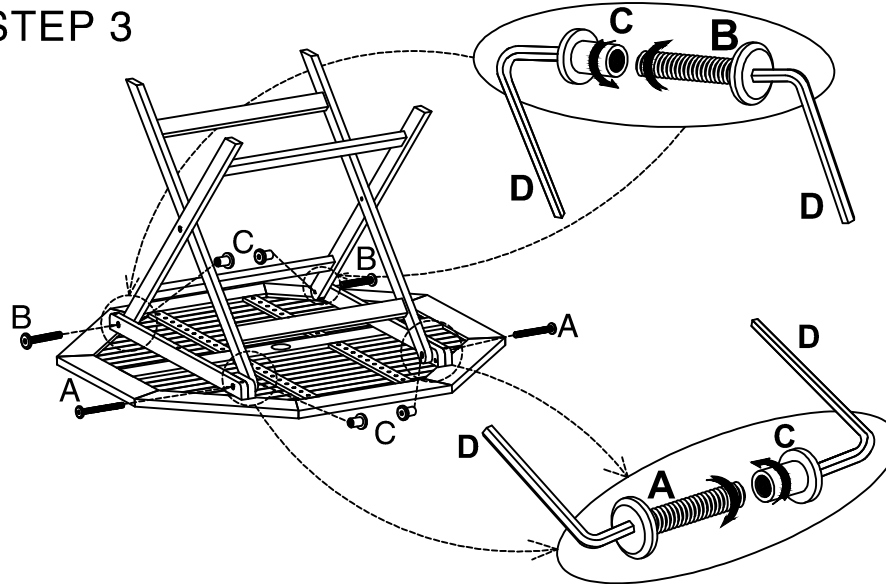


## STEP 2



No.	HARDWARE LIST	Q.TY
A	 8x55x15	2 PCS
B	 8x35x15	4 PCS
C	 8x15x15	6 PCS
D	 ALLENKEY M4	2 PCS

## STEP 3



## STEP 4

