

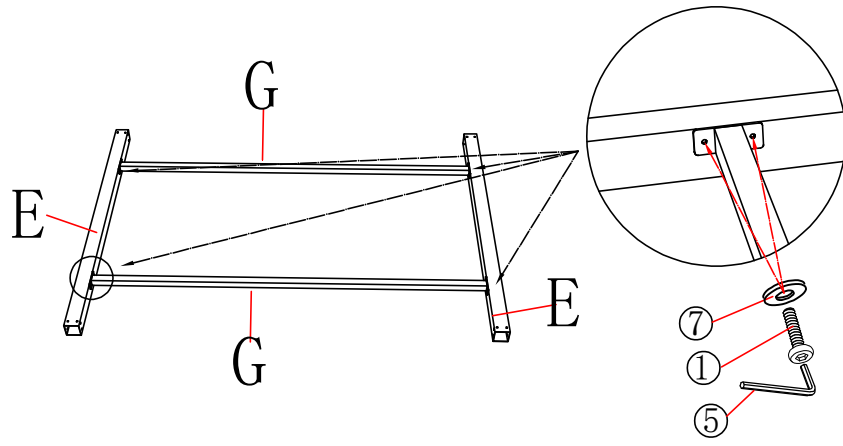
PARTLIST

A		x2
B		x1
C		x1
D		x2
E		x2
F		x2
G		x2
H		x4
I		x8
J		x2
K		x2
L		x2
M		x4
N		x1
O		x2
P		x1
Q		x1
R		x1
S		x4
T		x3
U		x1

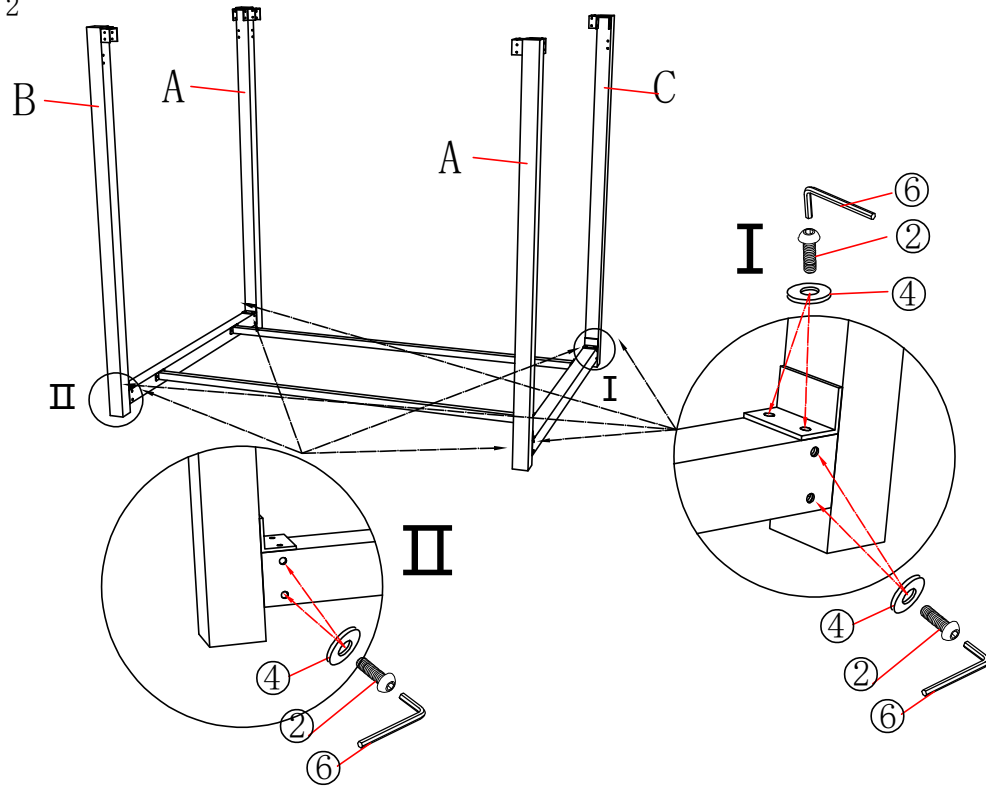
SCREWS AND TOOL

①		M6*20mm	x50
②		M8*20mm	x56
③		M8*40mm	x2
④		M8	x1
⑤		M6	x1
⑥		φ16*8mm	x58
⑦		φ12*6mm	x58
⑧		M10	x4
⑨		M10	x2
⑩		M6*35mm	x8
⑪			x2
⑫			x1

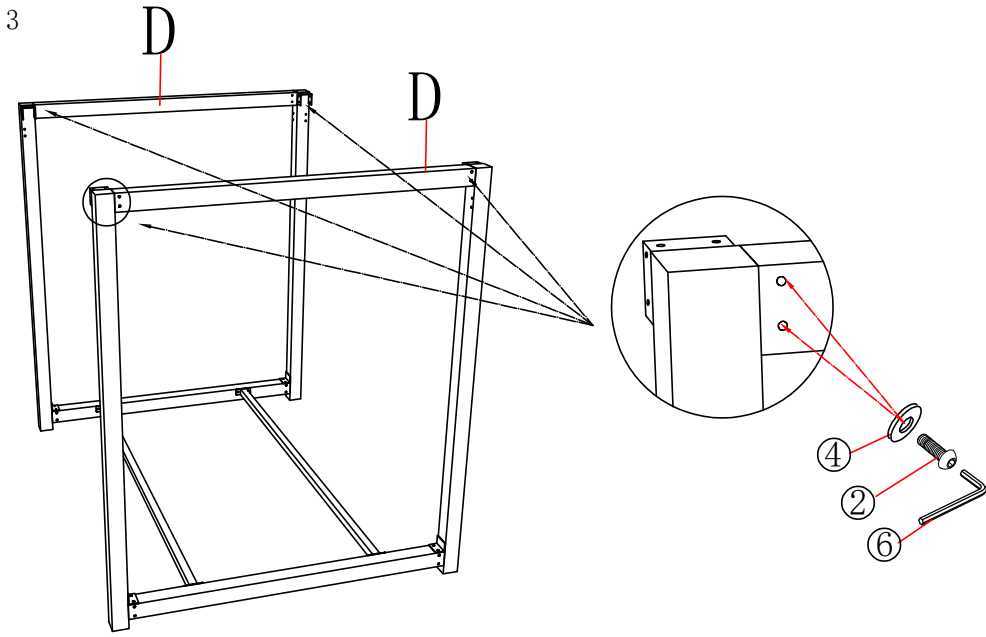
STEP 1



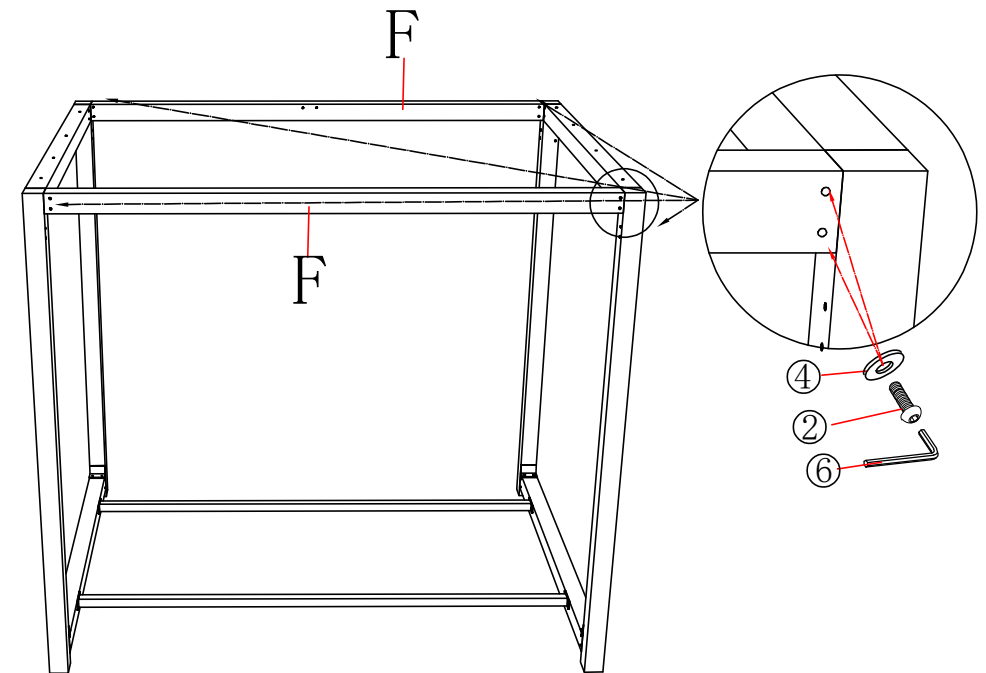
STEP 2



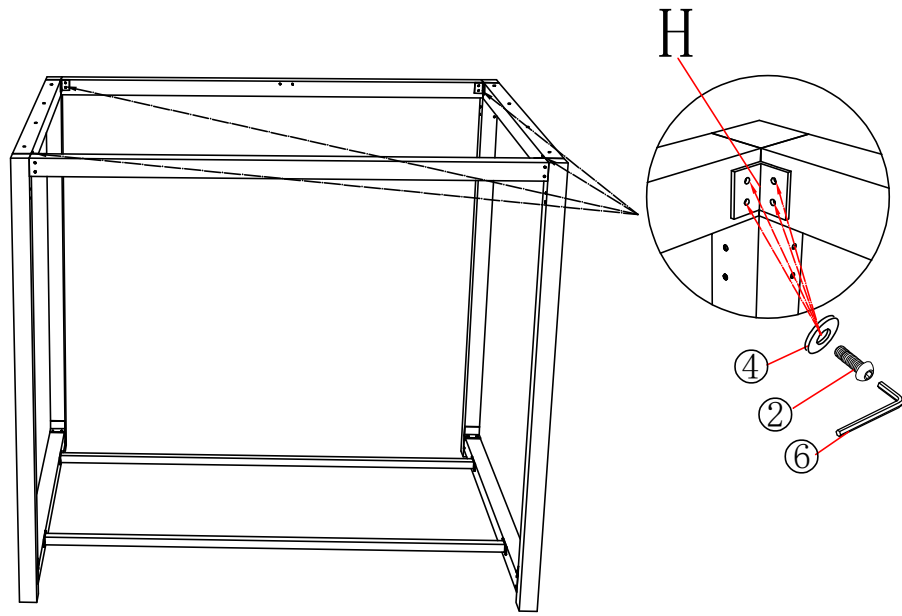
STEP 3



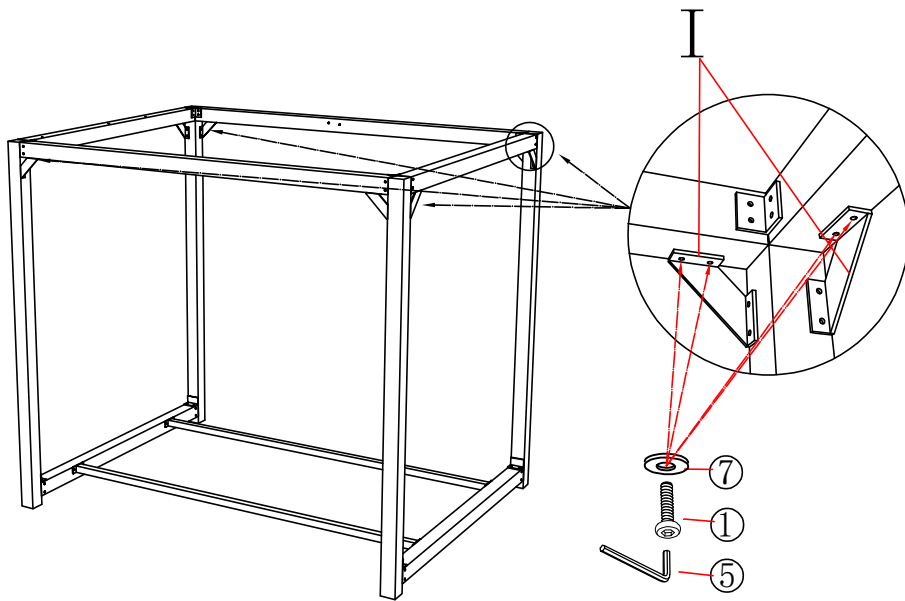
STEP 4



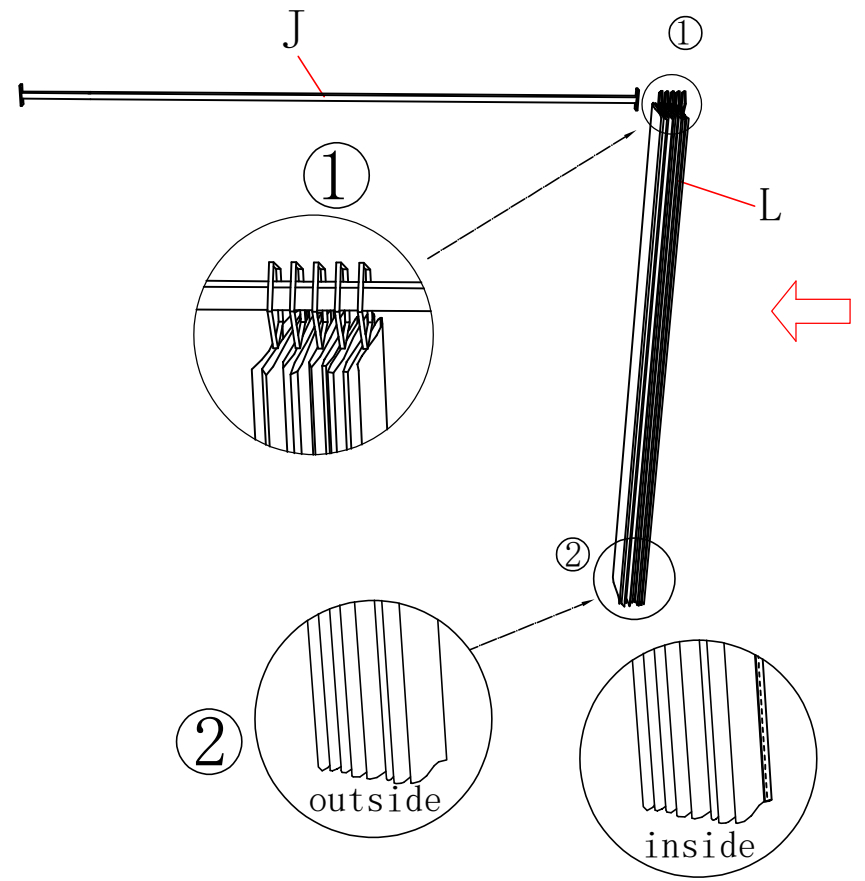
STEP 5



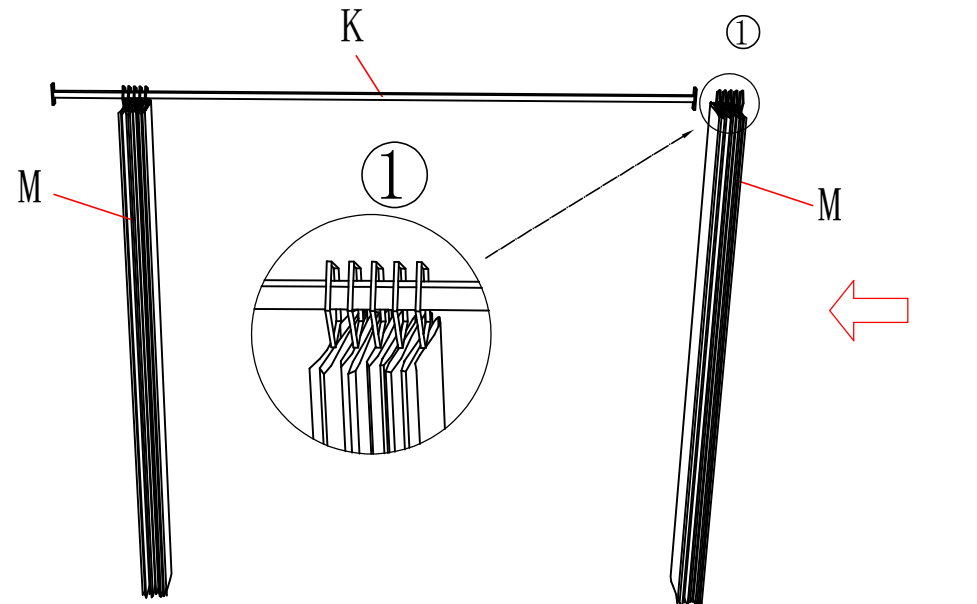
STEP 6



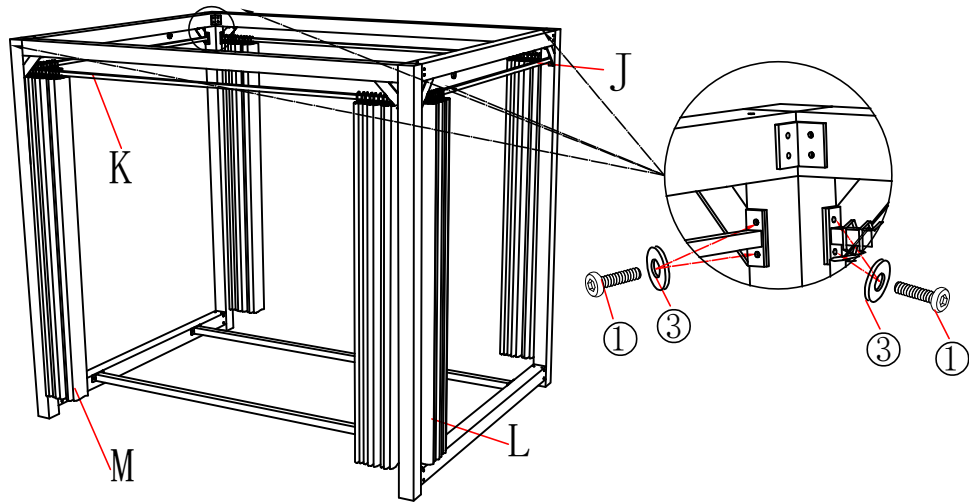
STEP 7



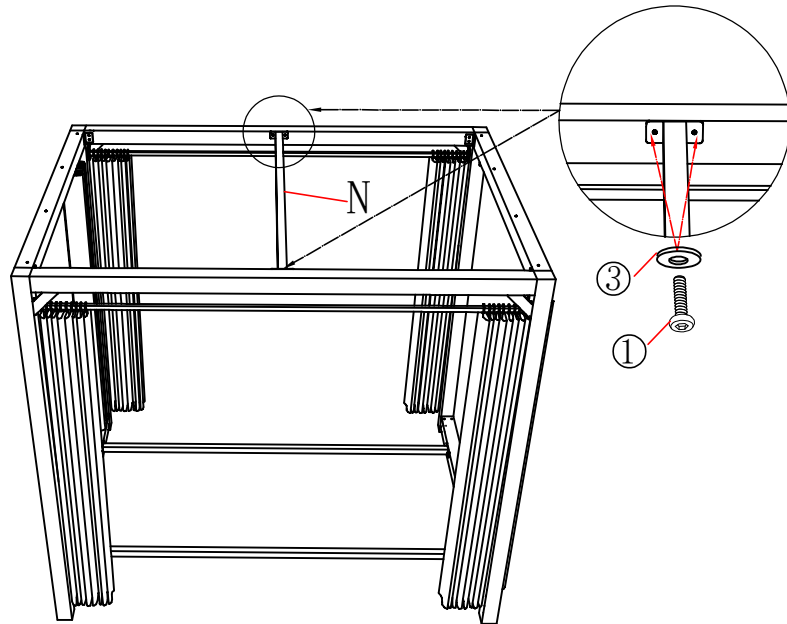
STEP 8



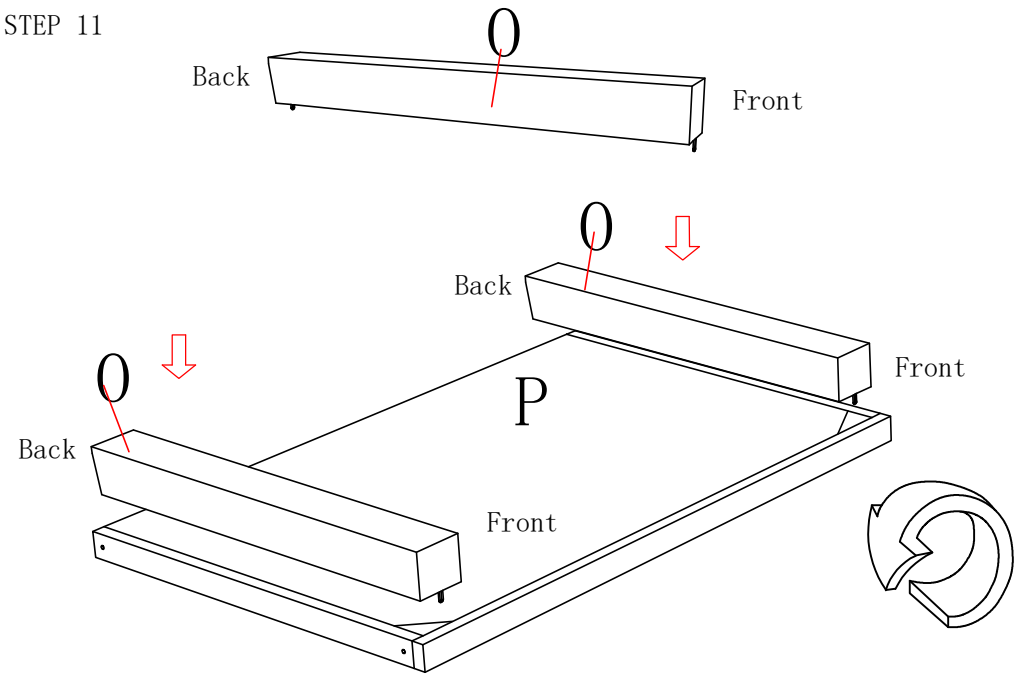
STEP 9



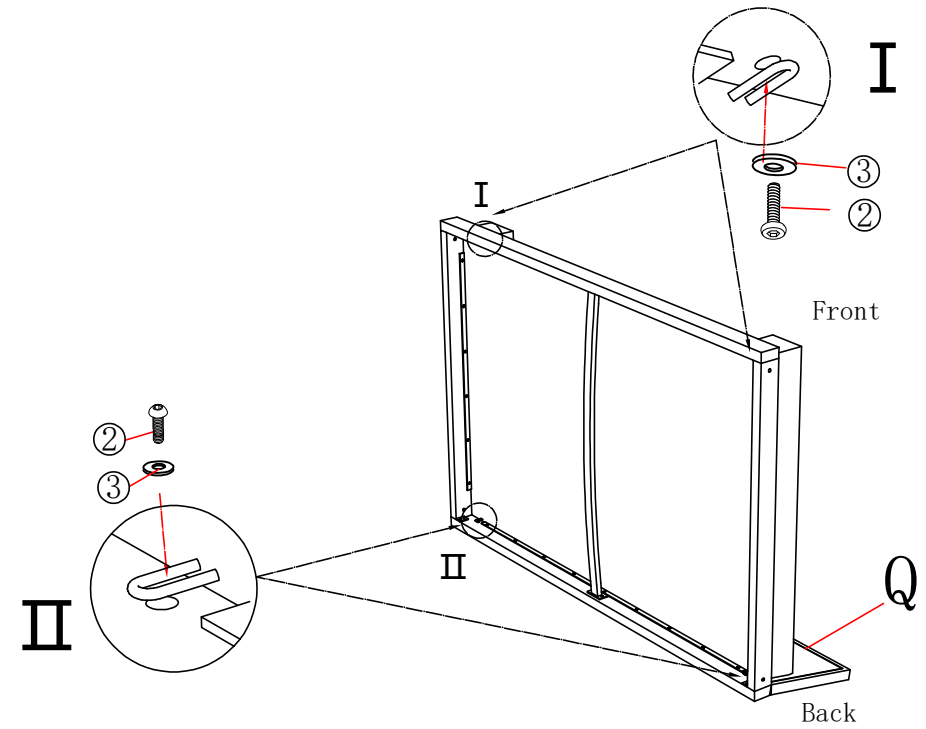
STEP 10



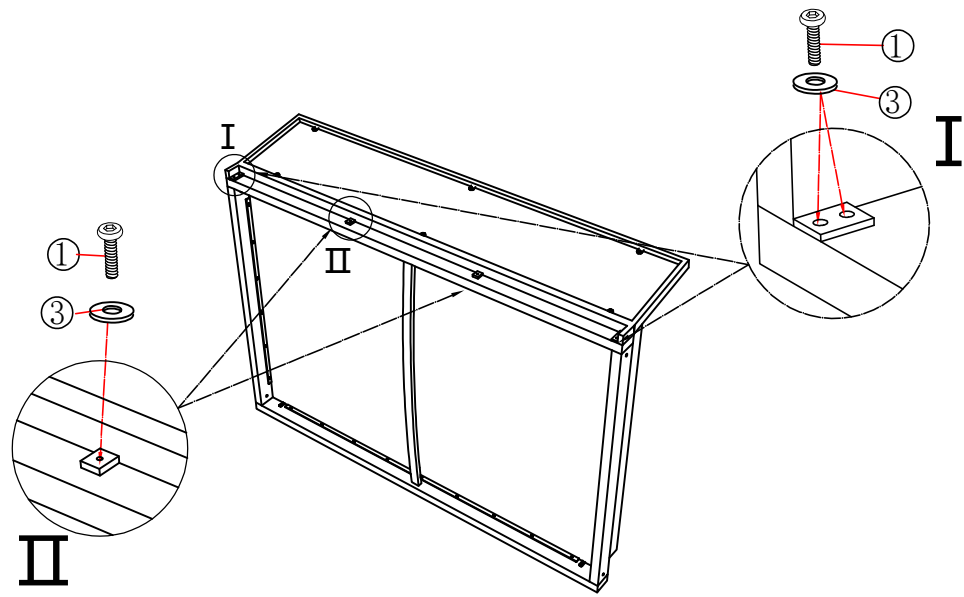
STEP 11



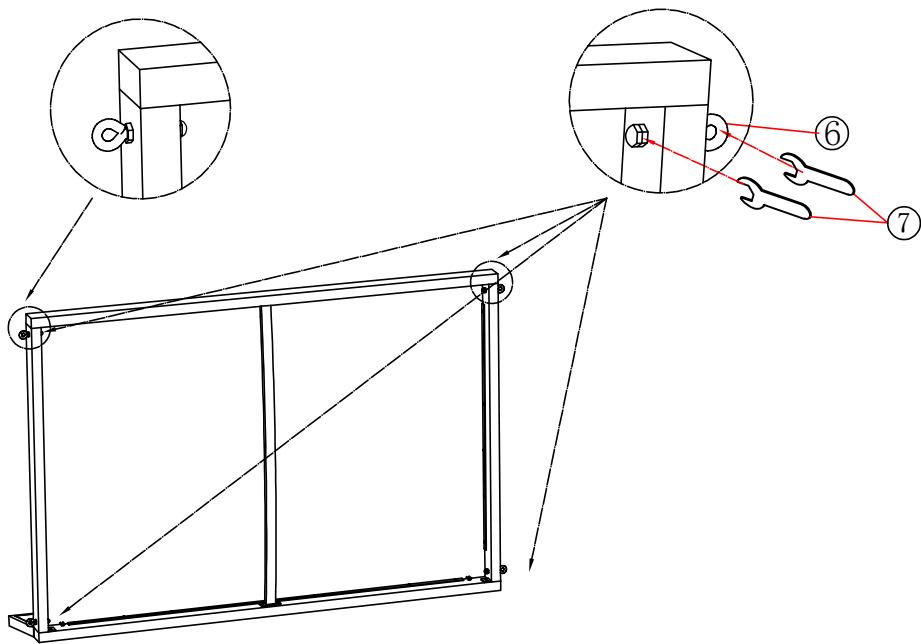
STEP 12



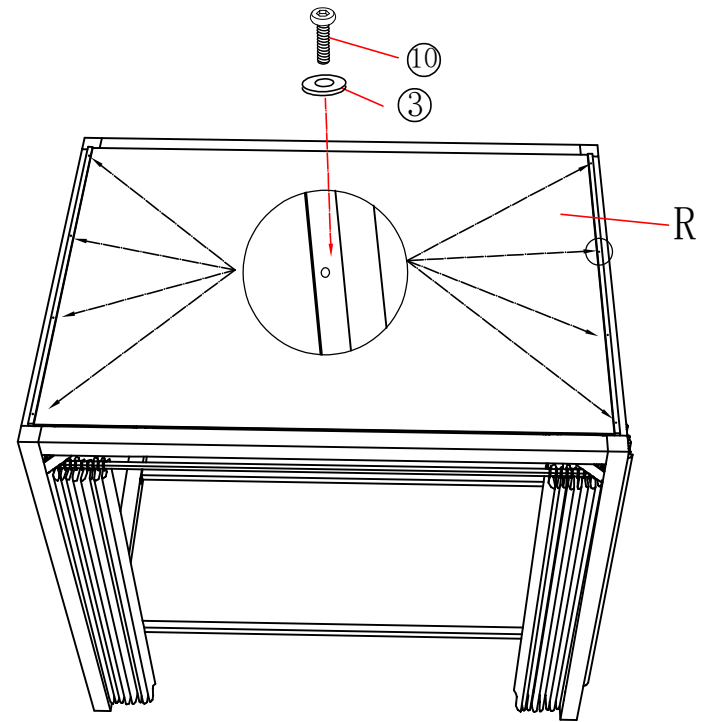
STEP 13



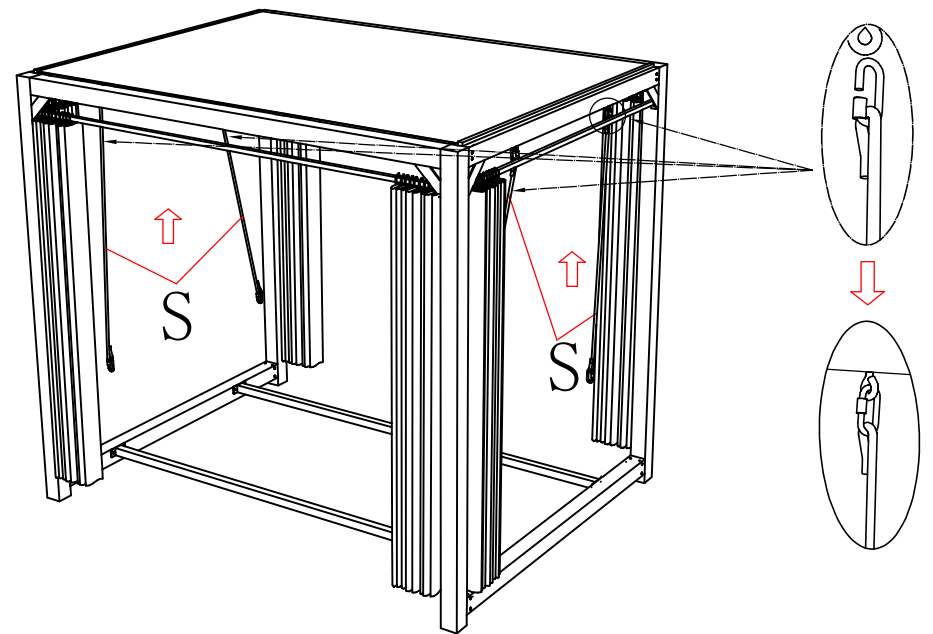
STEP 14



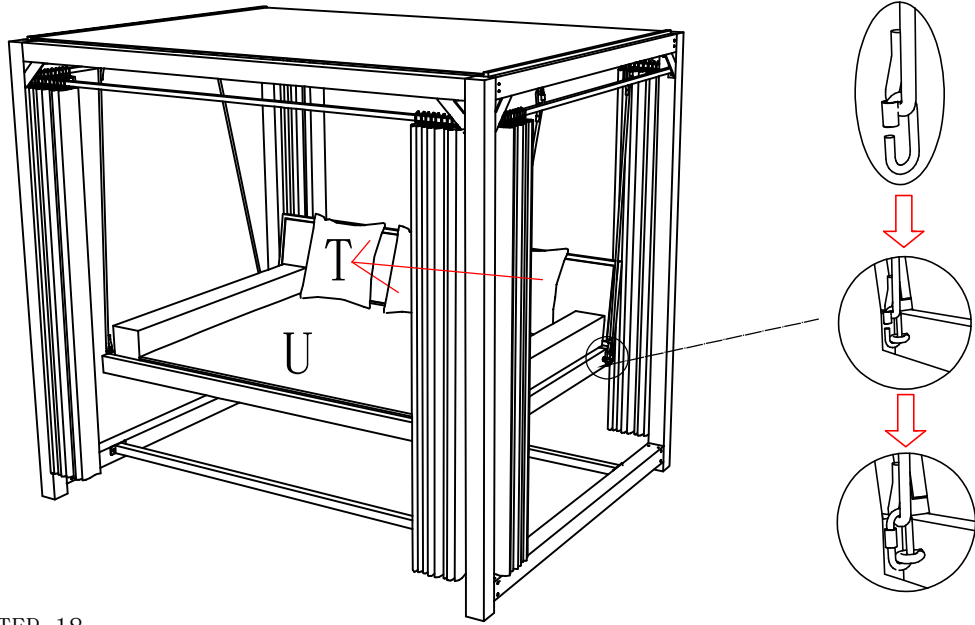
STEP 15



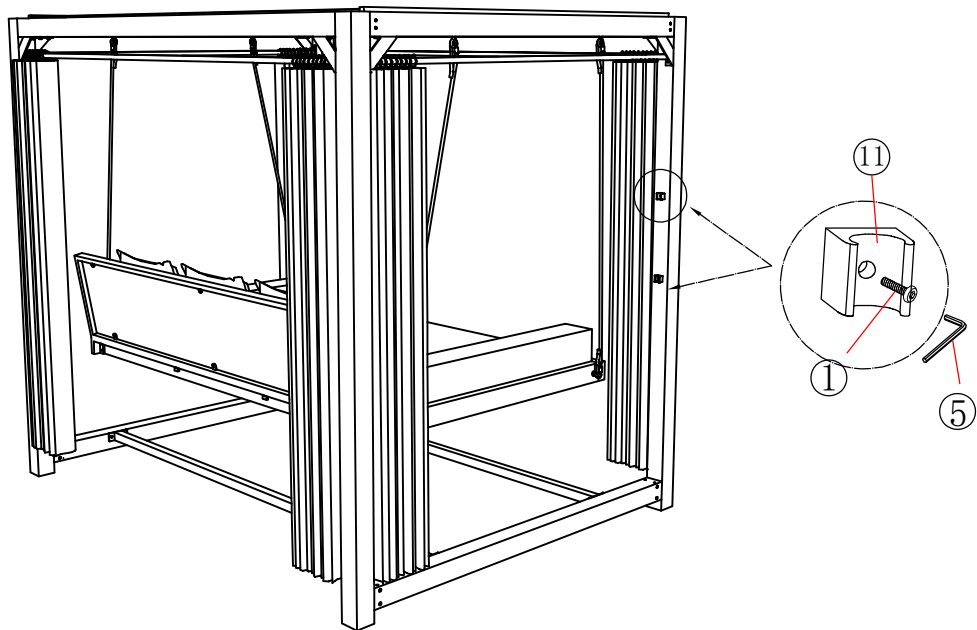
STEP 16



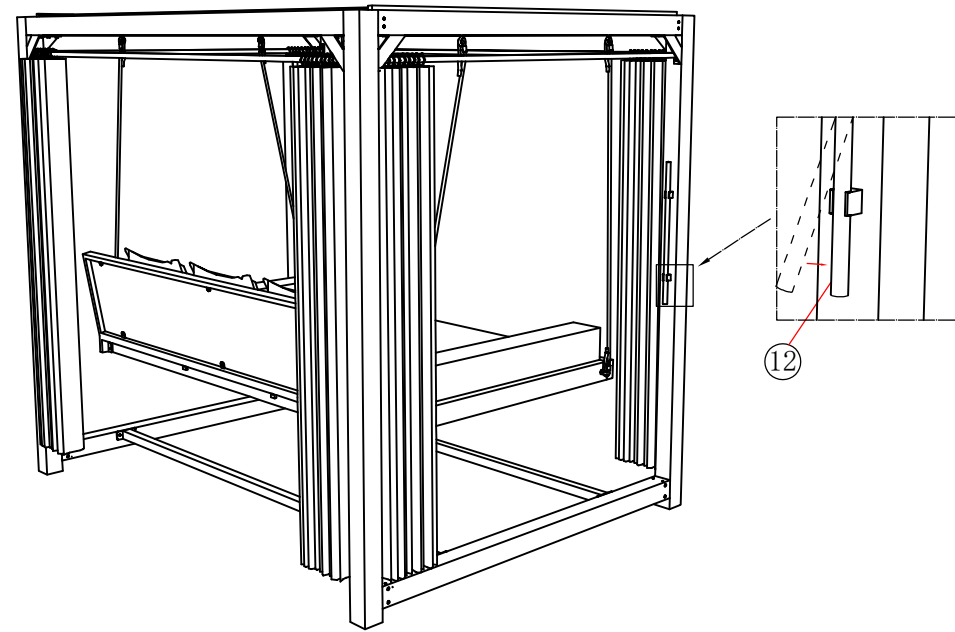
STEP 17



STEP 18



STEP 19



STEP 20

