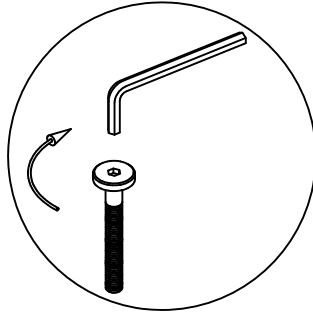
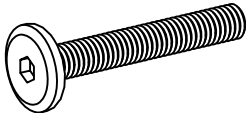

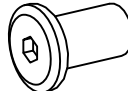

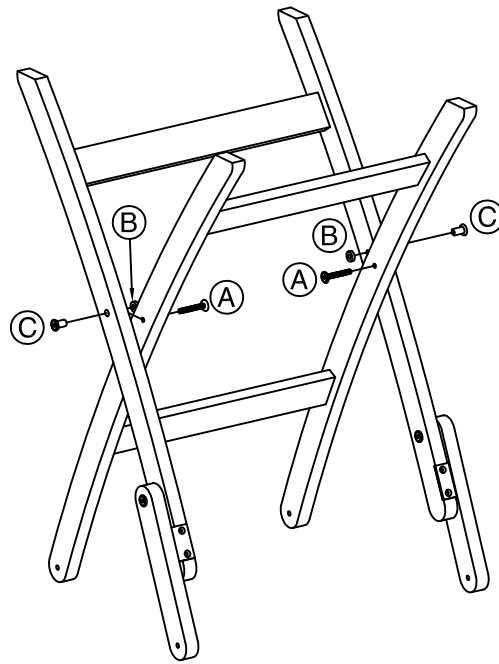


ASSEMBLY INSTRUCTIONS



No.	HARDWARE LIST	QTY
A	 6x40x13	6PCS
B	 7x14x4	6PCS
C	 6x13x13	6PCS
	 ALLENKEY M4	2PCS

STEP 1



STEP 2

