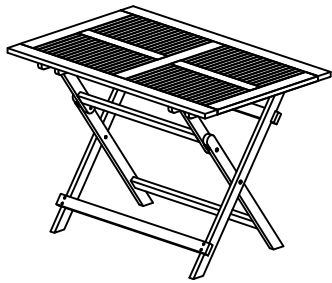







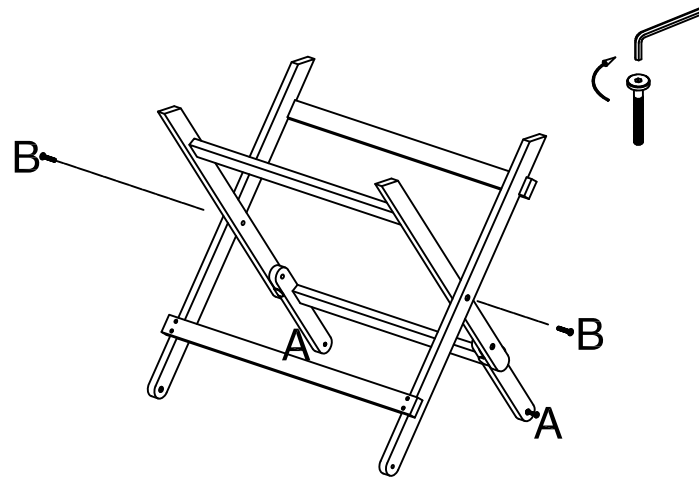
DESCRIPTION



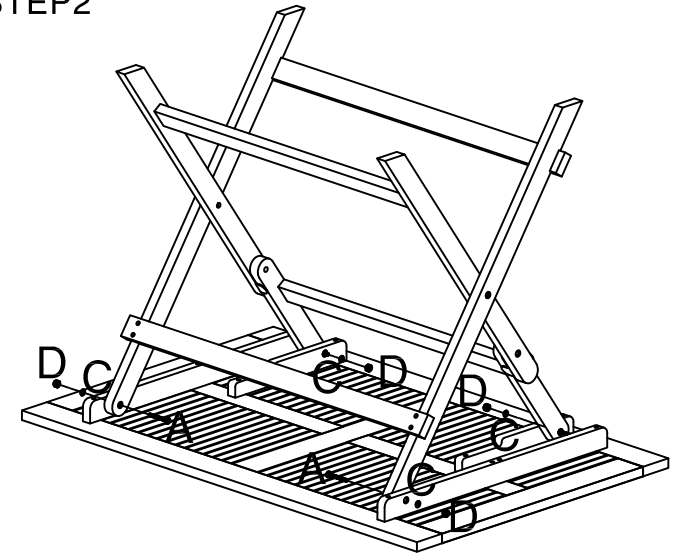
No.	HARDWARE LIST		Q.TY
A		6X50X13	4PCS
B		8x40x15	2PCS
C		6.5x14x1	4PCS
D		M6	4PCS
N			1PCS

# ASSEMBLY INSTRUCTION

STEP1



STEP2



STEP3

