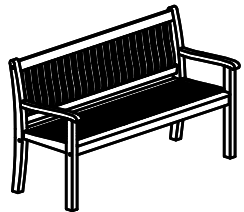





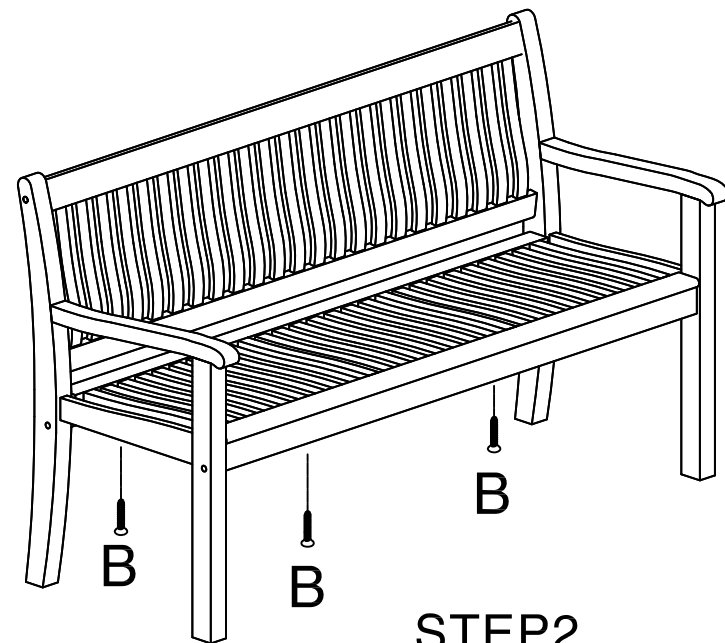
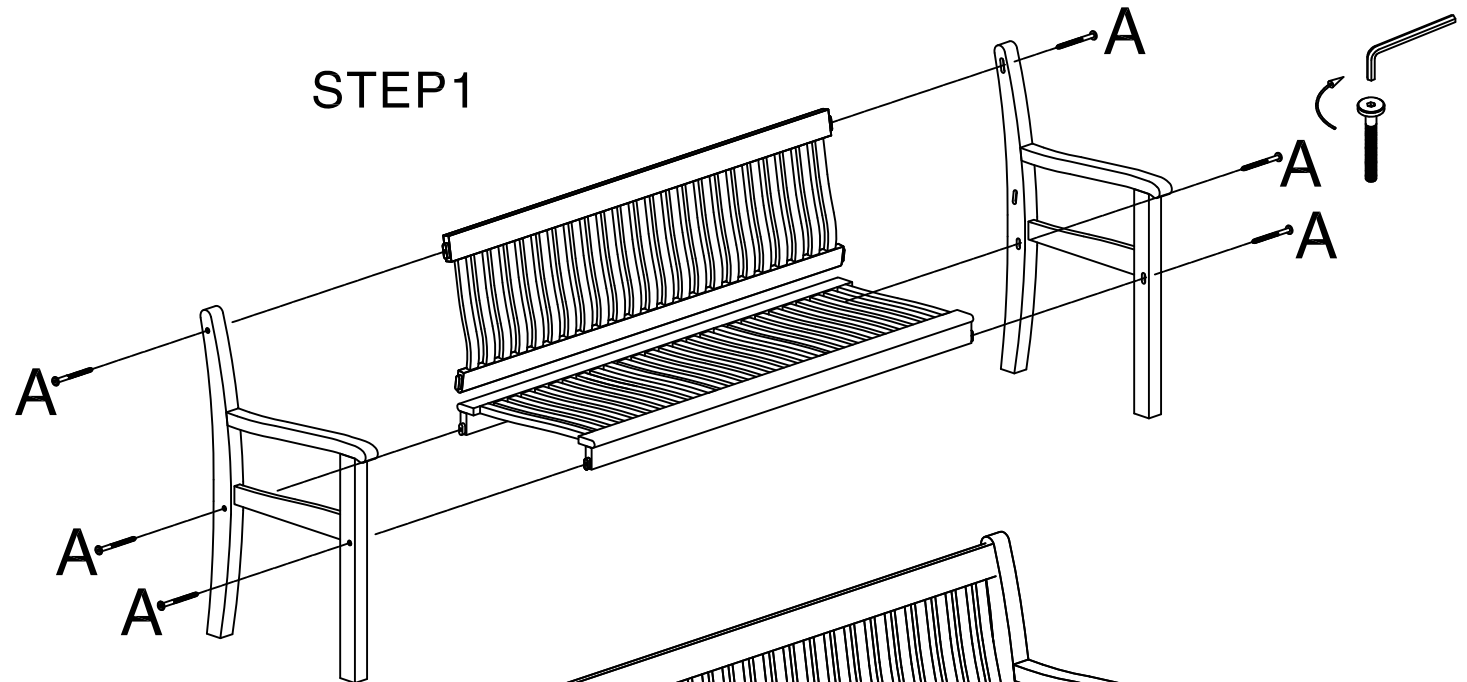
DESCRIPTION



No.	HARDWARE LIST	Q.TY
A	 7x90x15	6 PCS
B	 4X30	3 PCS
I	 M4x78	2 PCS

ASSEMBLY INSTRUCTION

STEP1



STEP2