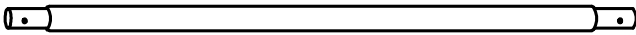
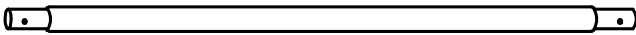
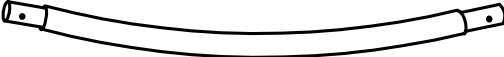




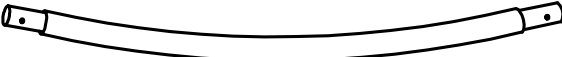


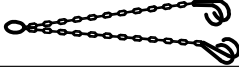





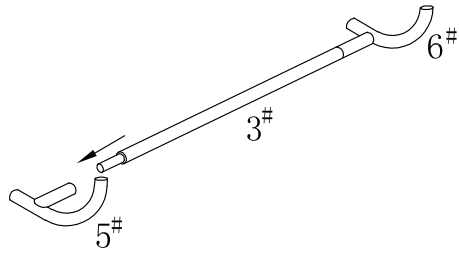
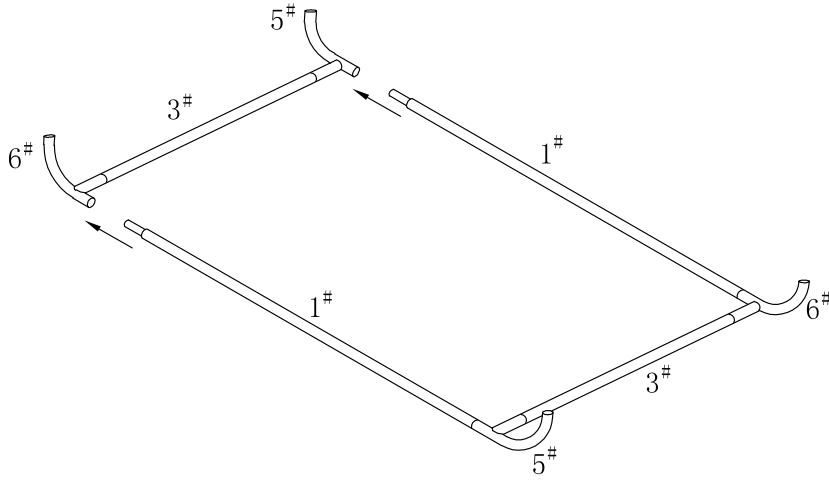


Ref.			Qty
1		Ø42x1x2000	2
1A		Ø42x1.3x2000	1
2		Ø42x1.3x1900	4
3		Ø42x1x1212	2
4	Ülemine 3-ne ühendus 	Top Connector 3 way	2
5	Alumine 3-ne ühendus V 	Ground Connector 3 way(L)	2
6	Alumine 3-ne ühendus P 	Ground Connector 3 way(R)	2
7		Ø42x1.3x1920	2
8		Ø42x1.3x1020	2
9	Lamamisaluse raaminurk 	Bed Connector	4
10	Kett 	Chain	2
11	Textilene lamamisalus 	Textilene Fabric	1
12	Katus 	Cover	1
13	Plastikus alus 	Plastic Pad	6
14	Ketikate 	Protective Sleeve	4
15	Võrk 	Mesh Screen	1

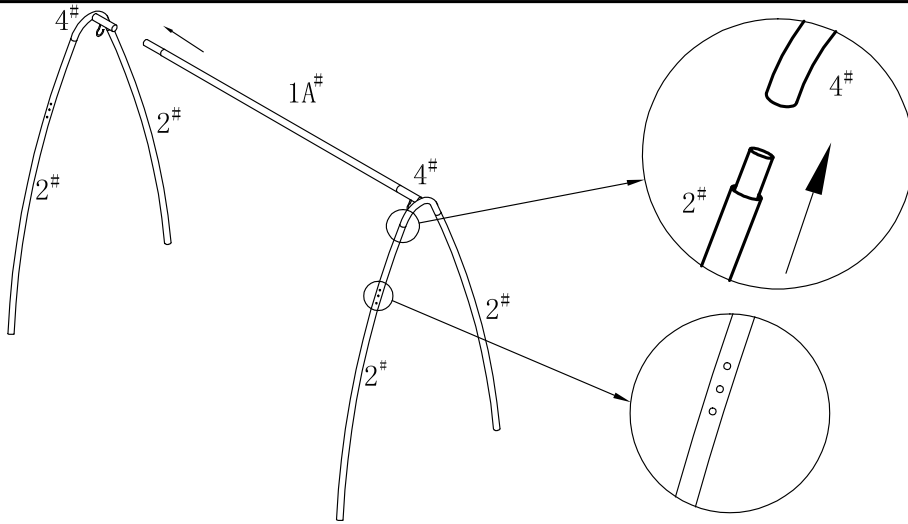
1



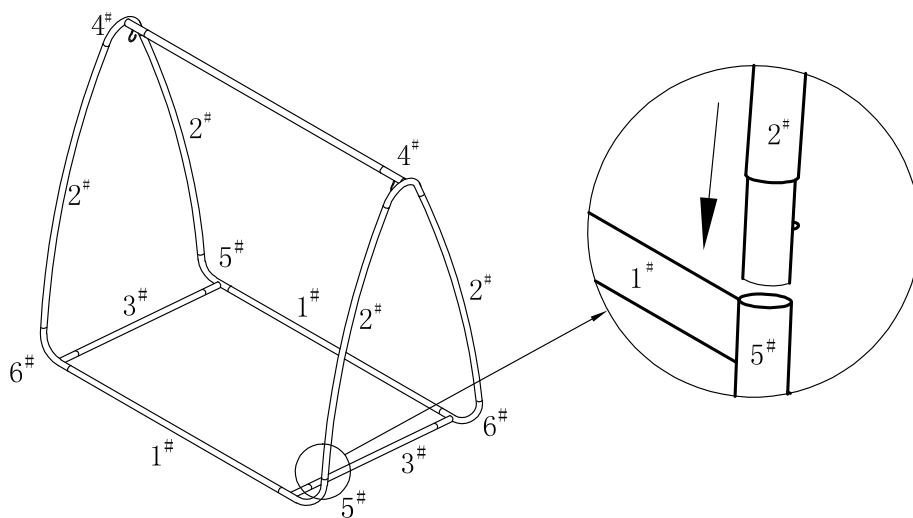
2



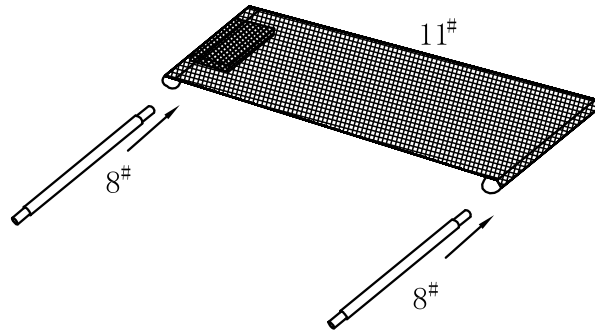
3



4

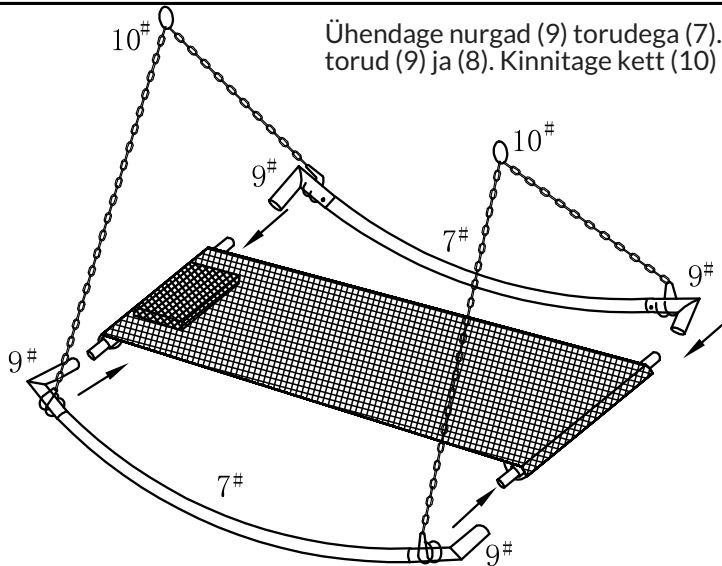


5 Libistage torud (8) läbi tunnelite.



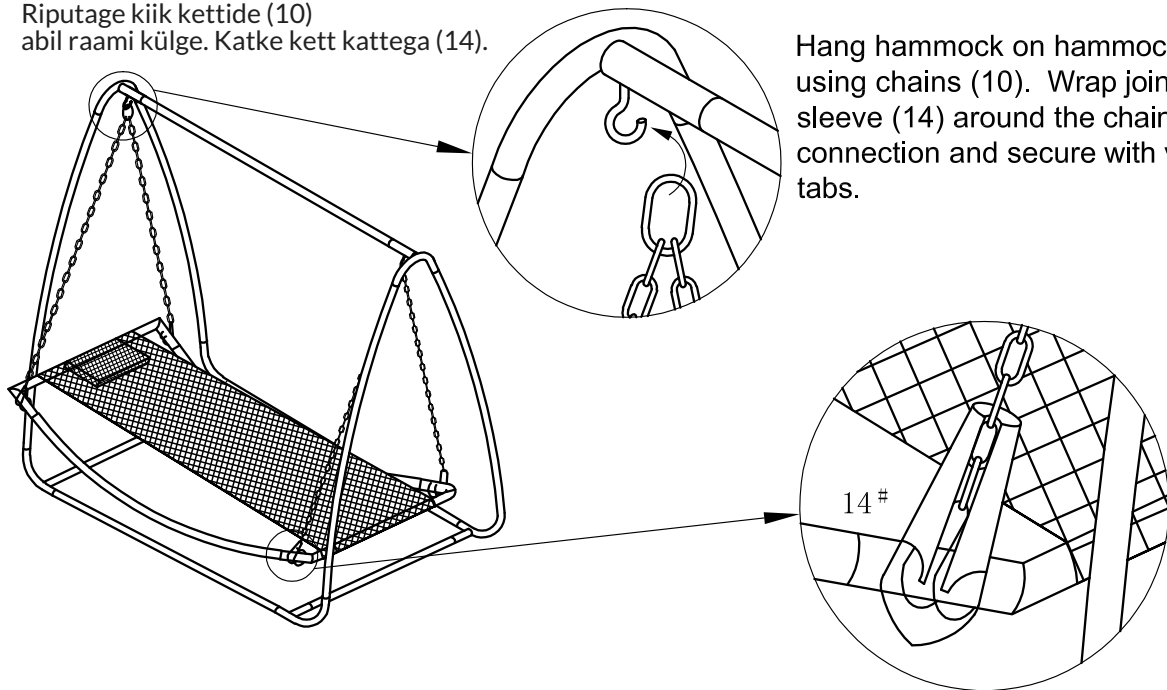
Slide poles (8) through
textoline fabric (11).

6 Ühendage nurgad (9) torudega (7). Nüüd ühendage omavahel torud (9) ja (8). Kinnitage kett (10) nurkade (9) külge.



Attach curved poles (7) to bed
end connectors (9). Complete bed
frame construction by attaching
poles (8) to bed end connectors
(9). Attach chains (10) to bed
end connectors (9).

7 Riputage kiik kettide (10)
abil raami külge. Katke kett kattega (14).

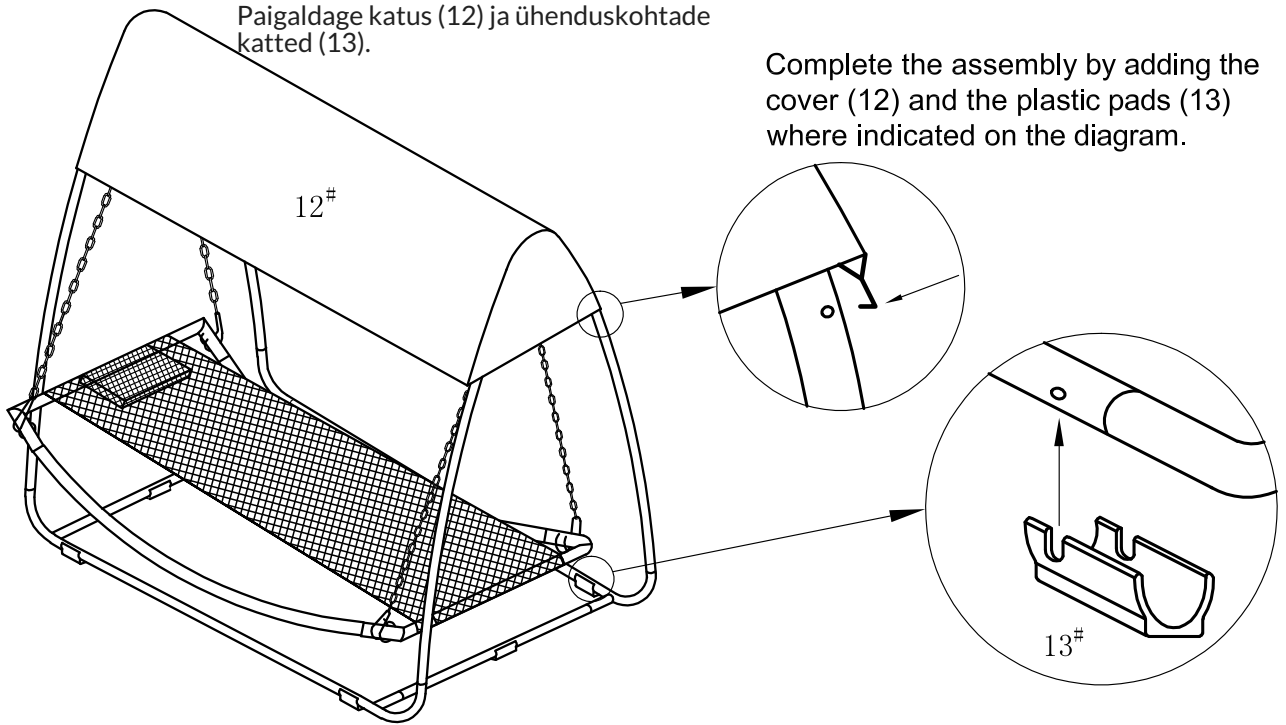


Hang hammock on hammock frame
using chains (10). Wrap joint
sleeve (14) around the chain/frame
connection and secure with velcro
tabs.

8

Paigaldage katus (12) ja ühenduskohtade katted (13).

Complete the assembly by adding the cover (12) and the plastic pads (13) where indicated on the diagram.



9

