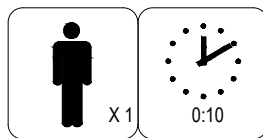
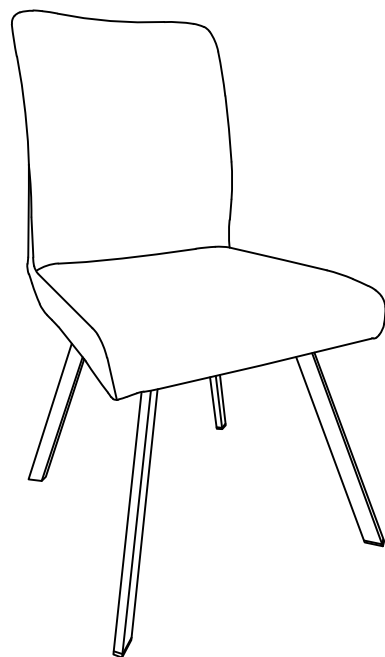
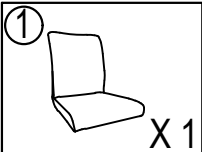
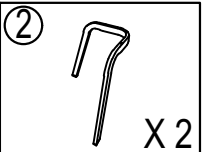
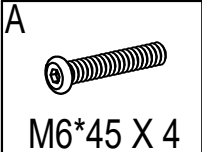
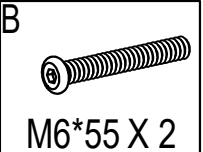
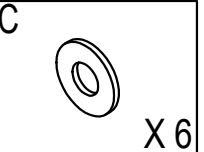
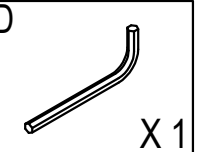


ASSEMBLY INSTRUCTIONS

DINING CHAIR MODEL#: UDC23040



 ① X 1	 ② X 2		
 A M6*45 X 4	 B M6*55 X 2	 C X 6	 D X 1

1

