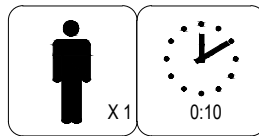
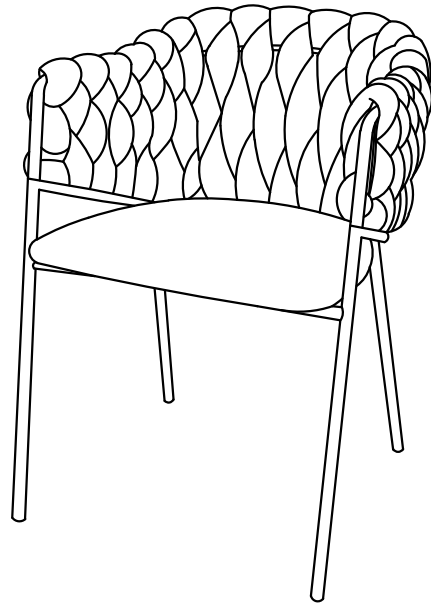
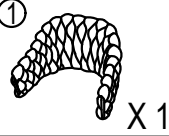
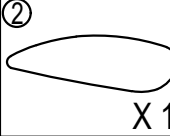
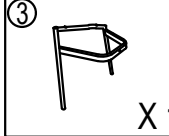
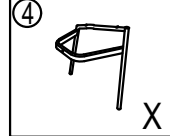
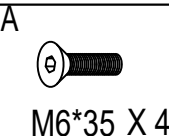
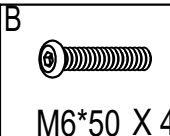
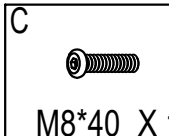
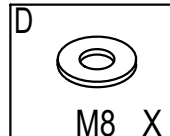
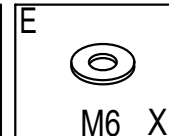
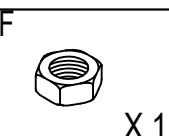
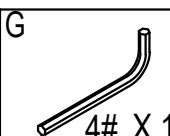
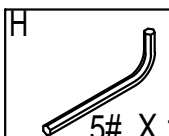


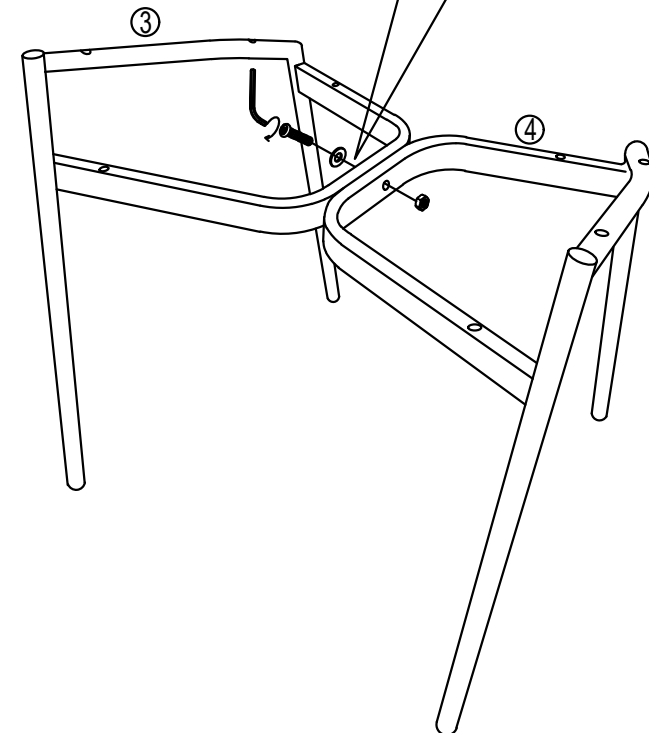
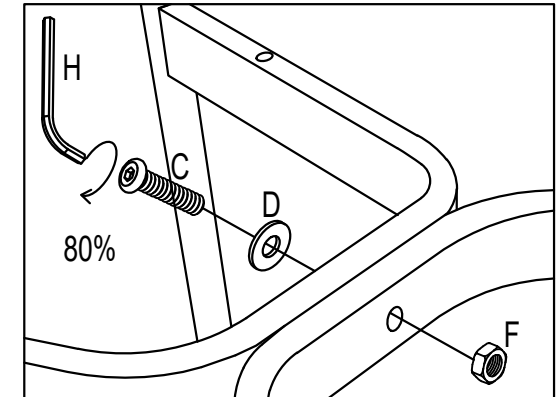
# ASSEMBLY INSTRUCTIONS

DINING CHAIR MODEL#: UDC21124-2

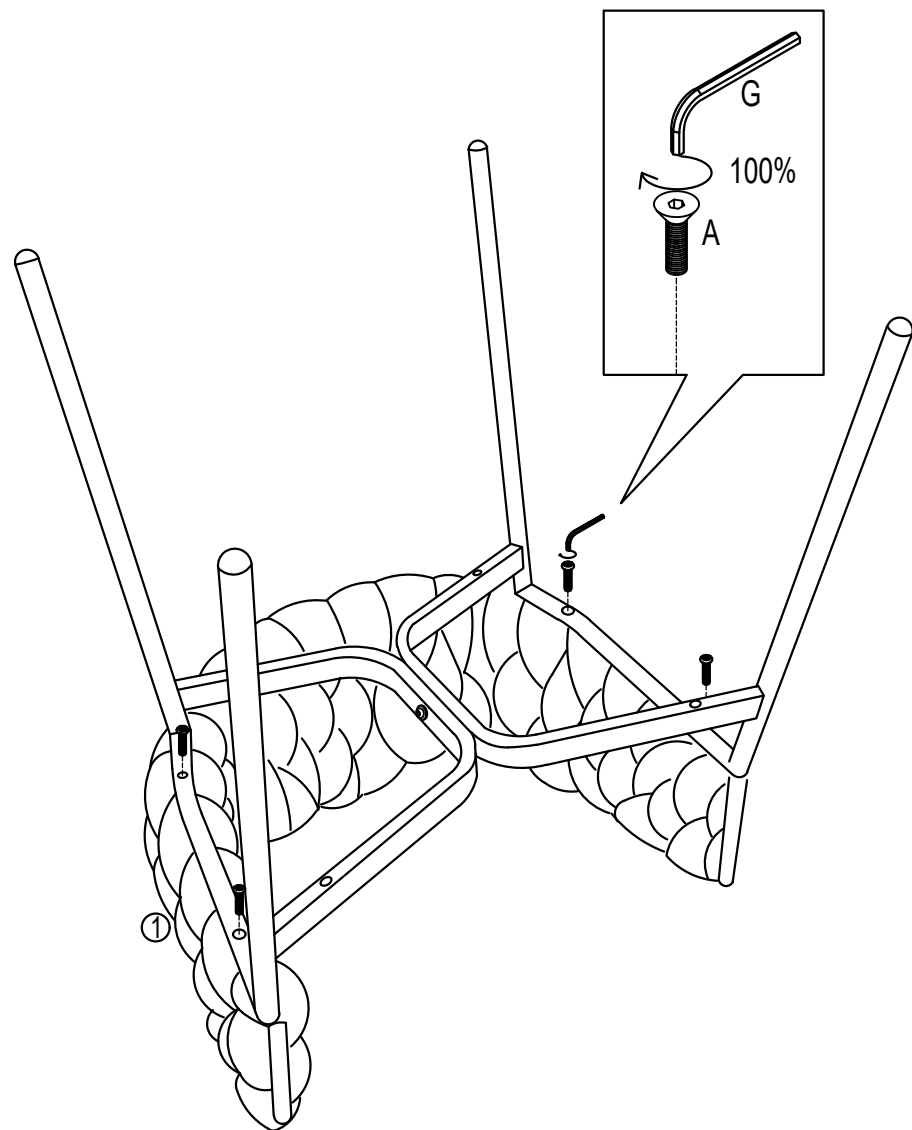


 ① X 1	 ② X 1	 ③ X 1	 ④ X 1	
 A M6*35 X 4	 B M6*50 X 4	 C M8*40 X 1	 D M8 X 1	 E M6 X 4
 F X 1	 G 4# X 1	 H 5# X 1		

1



2



3

