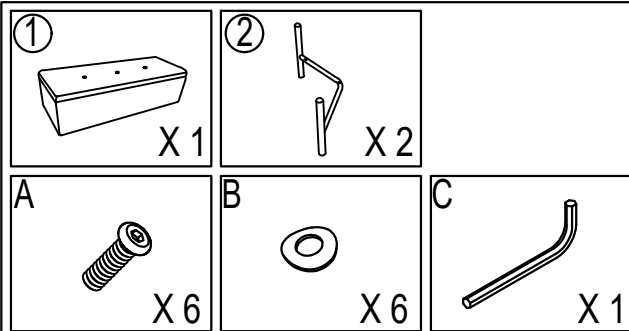
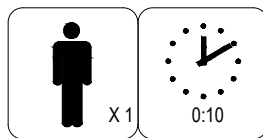
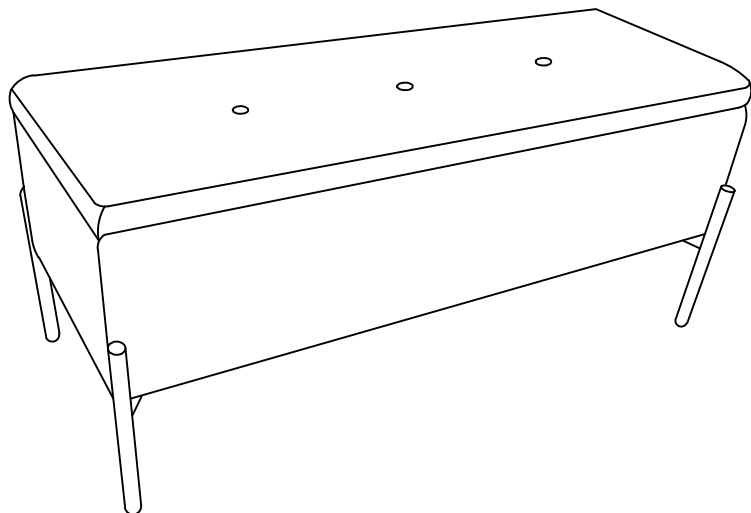


ASSEMBLY INSTRUCTIONS

DINING CHAIR MODEL#: UBC21009



1

