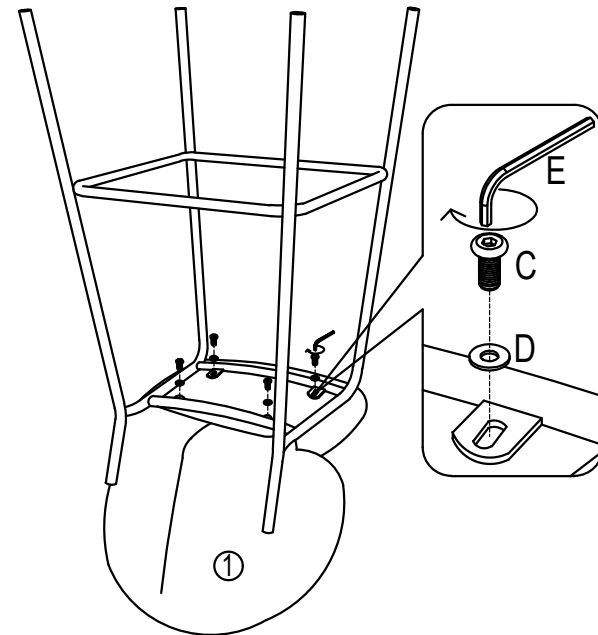
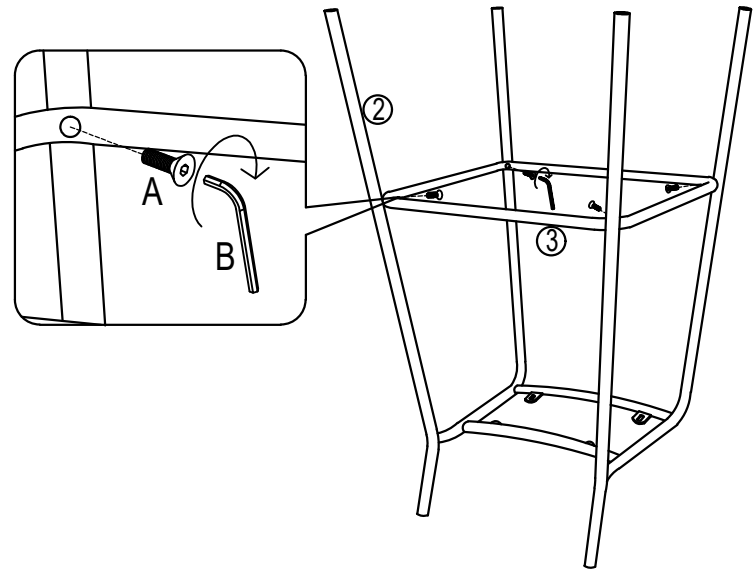
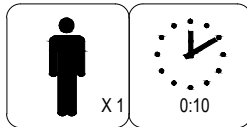
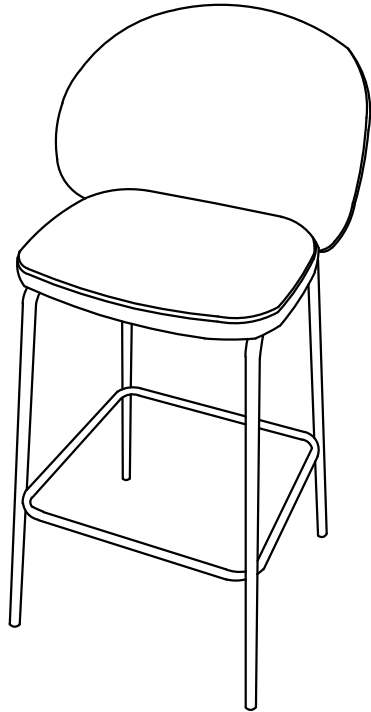




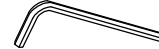


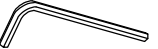


ASSEMBLY INSTRUCTIONS

DINING CHAIR MODEL#: ADCL2204



 ① X 1	 ② X 4	 ③ X 4		
 A M6*20 x 4	 B M4 X 1	 C M6*16 X 4	 D X 4	 E M5 X 1