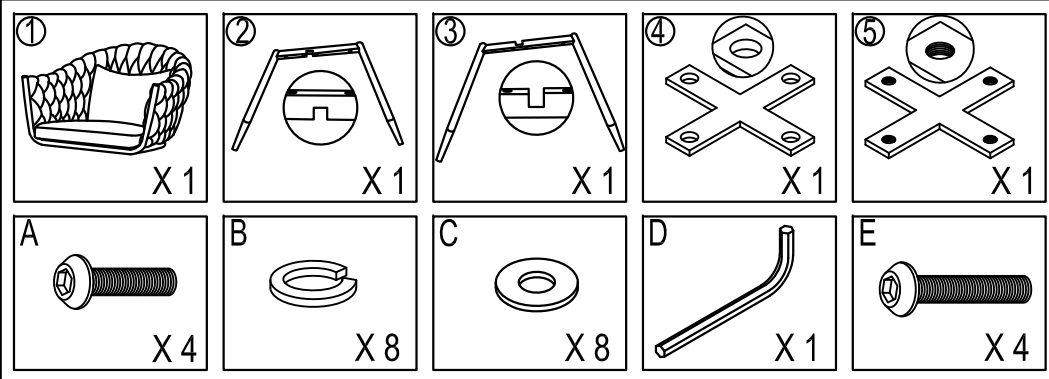
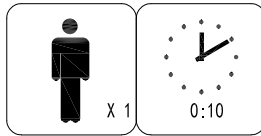
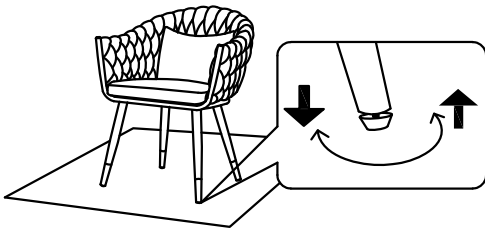
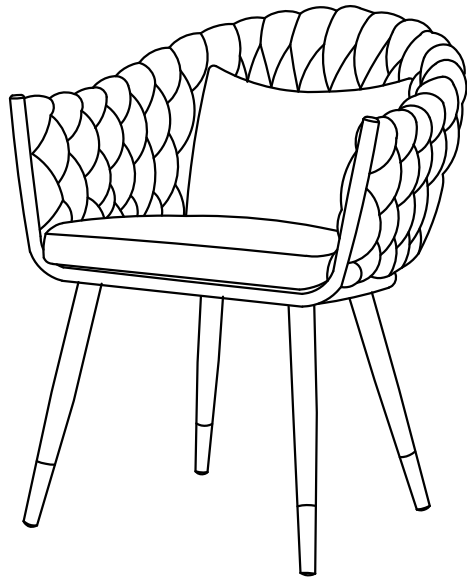
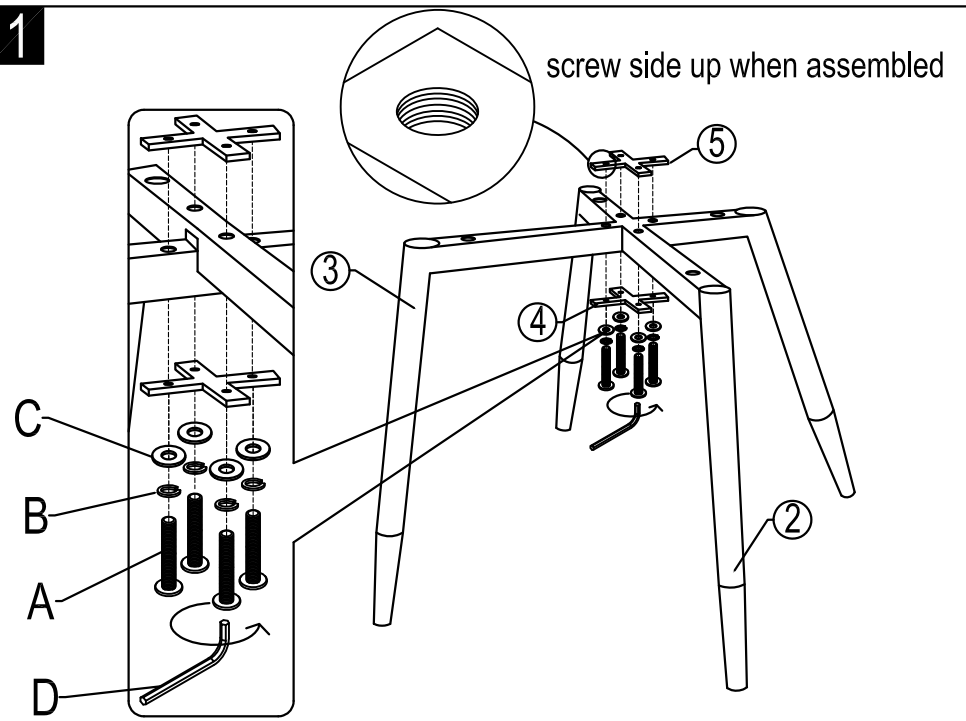


ASSEMBLY INSTRUCTIONS

DINING CHAIR MODEL#: UDC21095



1



2

