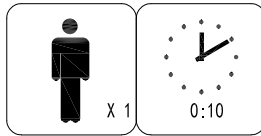
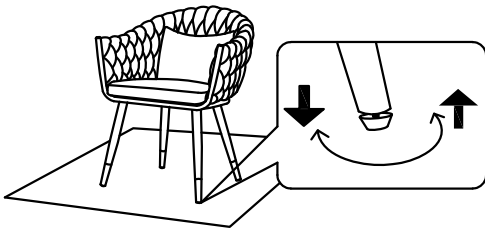
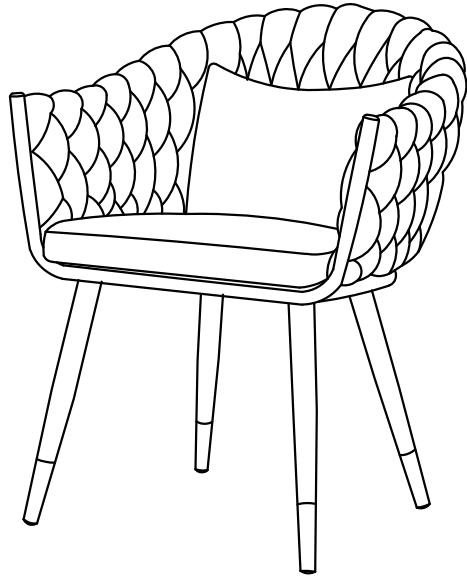
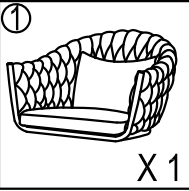
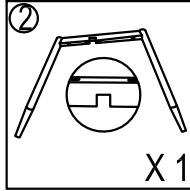
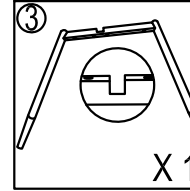
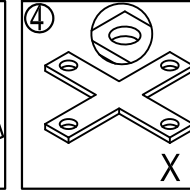
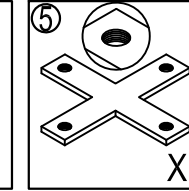
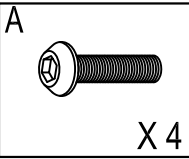
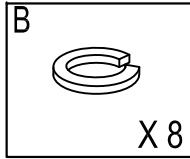
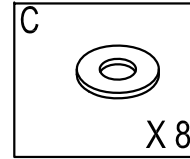
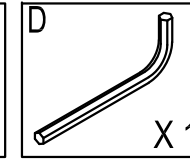
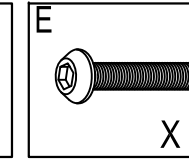


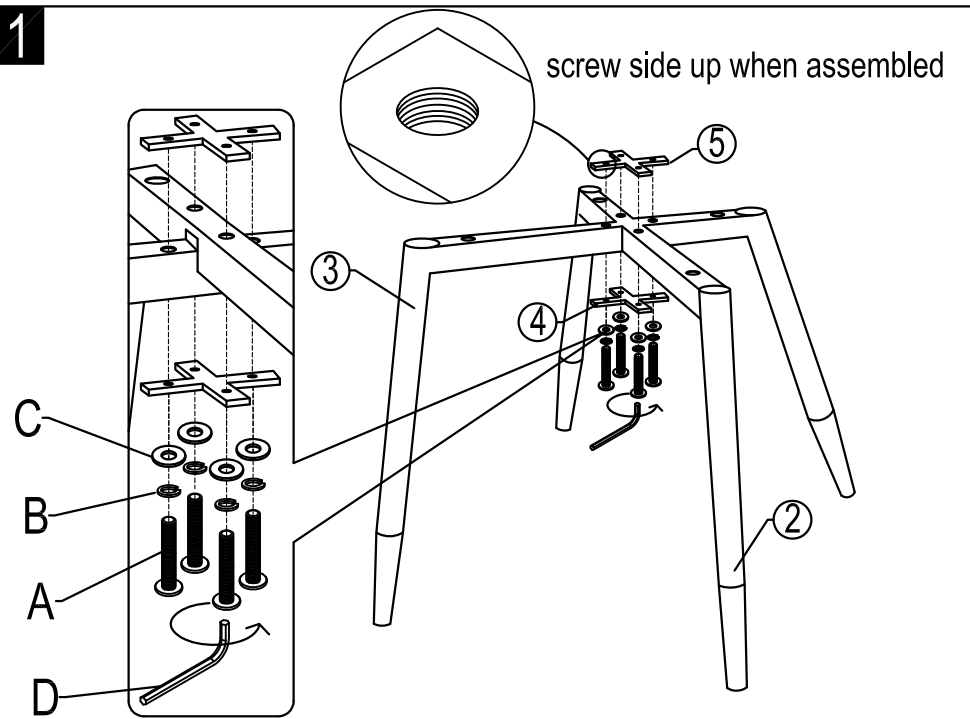
ASSEMBLY INSTRUCTIONS

DINING CHAIR MODEL#: UDC21095



 ① X 1	 ② X 1	 ③ X 1	 ④ X 1	 ⑤ X 1
 A X 4	 B X 8	 C X 8	 D X 1	 E X 4

1



2

